

Technical Handbook - Domestic

Technical Handbook - Domestic

Table of Contents

Technical Handbook - Domestic	1
0. General	2
0.1 Application	2
0.2 Citation, commencement and interpretation	6
0.3 Exempted buildings and services, fittings and equipment	10
0.4 Changes in the occupation or use of a building that cause the regulations to apply	16
0.5 Buildings work, services, fittings and equipment not requiring a warrant	18
0.6 Limited life buildings	25
0.7 Measurements	26
0.8 Durability, workmanship and fitness of materials	27
0.9 Building standards applicable to construction	35
0.10 Building standards applicable to demolition	36
0.11 Building standards applicable to the provision of services, fittings and equipment	37
0.12 Building standards applicable to conversions	37
0.13 Provision of protective works	38
0.14 Clearing of footpaths	39
0.15 Securing of unoccupied and partially completed buildings	40
0.16 Relaxations	40
0.17 Continuing Requirements	40
1. Structure	44
1.0 Introduction	44
1.1 Structure	47
1.2 Disproportionate Collapse	50
Annex 1.A Structural Design Standards	54
2. Fire	59
2.0 Introduction	59
2.1 Compartmentation	68
2.2 Separation	68
2.3 Structural protection	74
2.4 Cavities	76
2.5 Internal linings	78
2.6 Spread to neighbouring buildings	83
2.7 Spread on external walls	87
2.8 Spread from neighbouring buildings	89
2.9 Escape	90
2.10 Escape lighting	109
2.11 Communication	110
2.12 Fire and rescue service access	115
2.13 Fire and rescue service water supply	118
2.14 Fire and rescue service facilities	119
2.15 Automatic fire suppression systems	130
Annex 2.A Resistance to fire	133
Annex 2.B Reaction to fire	137
Annex 2.C Vulnerability of roof coverings	140
3. Environment	144
3.0 Introduction	144
3.1 Site preparation – harmful and dangerous substances	147
3.2 Site preparation – protection from radon gas	153
3.3 Flooding and groundwater	154
3.4 Moisture from the ground	156
3.5 Existing drains	160
3.6 Surface water drainage	162

3.7 Wastewater drainage	166
3.8 Private wastewater treatment systems – treatment plants	170
3.9 Private wastewater treatment systems – infiltration systems	173
3.10 Precipitation	177
3.11 Facilities in dwellings	188
3.12 Sanitary facilities	192
3.13 Heating	199
3.14 Ventilation	200
3.15 Condensation	210
3.16 Natural lighting	213
3.17 Combustion appliances – safe operation	214
3.18 Combustion appliances – protection from combustion products	219
3.19 Combustion appliances – relationship to combustible materials	225
3.20 Combustion appliances – removal of products of combustion	236
3.21 Combustion appliances – air for combustion	253
3.22 Combustion appliances – air for cooling	255
3.23 Fuel storage – protection from fire	256
3.24 Fuel storage – containment	260
3.25 Solid waste storage	263
3.26 Dungsteeds and farm effluent tanks	264
3.27 Water efficiency	266
4. Safety	269
4.0 Introduction	269
4.1 Access to buildings	271
4.2 Access within buildings	278
4.3 Stairs and ramps	285
4.4 Pedestrian protective barriers	298
4.5 Electrical safety	300
4.6 Electrical fixtures	302
4.7 Aids to communication	304
4.8 Danger from accidents	304
4.9 Danger from heat	309
4.10 Fixed seating	314
4.11 Liquefied petroleum gas storage	314
4.12 Vehicle protective barriers	319
4.13 Security	320
4.14 In-building physical infrastructure for high-speed electronic communications network	323
5. Noise	327
5.0 Introduction	327
5.1 Noise separation	332
5.2 Noise reduction between rooms	341
6. Energy	343
6.0 Introduction	343
6.1 Carbon dioxide emissions	349
6.2 Building insulation envelope	356
6.3 Heating system	368
6.4 Insulation of pipes, ducts and vessels	370
6.5 Artificial and display lighting	371
6.6 Mechanical ventilation and air conditioning	372
6.7 Commissioning building services	374
6.8 Written information	375
6.9 Energy performance certificates	377
6.10 Metering	380
Annex 6.A Compensating U-values for windows, doors and rooflights	380
Annex 6.B Compensatory approach - heat loss example	381
Annex 6.C - Consideration of High-Efficiency Alternative Systems in New Buildings	387

7. Sustainability	390
7.0 Introduction	390
7.1 Statement of sustainability	393
Annex 7.A Sample sustainability label	403
Annex 7.B Supplementary guidance in the aspect of optimising performance	403
Annex 7.C Desk Space	408
Annex 7.D Mobility Space	409
Annex 7.E Sustainability Label	410
Appendix A. Appendix A Defined Terms	411
Definitions and explanation of terms used in this document.	411
Appendix B. Appendix B list of standards and other publications	422
The Construction Products Regulation	422
British Standards	423
Codes of Practice (British Standards)	432
European Standards	433
Drafts for Development (European Standards)	442
Legislation - Statutory Instruments	442
Other Publications	443

Technical Handbook - Domestic

General

0.1 Application

0.1.1 Introduction

The Building (Scotland) Act 2003 gives Scottish Ministers the power to make building regulations to:

- secure the health, safety, welfare and convenience of persons in or about buildings and of others who may be affected by buildings or matters connected with buildings
- further the conservation of fuel and power and
- further the achievement of sustainable development.

This document gives guidance on how to comply with these regulations.

This is one of two Technical Handbooks, one covering domestic buildings and the other non-domestic buildings. These Technical Handbooks have been issued by Scottish Ministers for the purpose of providing practical guidance with respect to the requirements of the provisions of the building regulations under a notice given in accordance with Section 4(2) of the Building (Scotland) Act 2003. Each Handbook has eight sections. Section 0, this section, is identical in both Handbooks. It covers general issues and sets out how and when the regulations apply to buildings and works.

From the 2013 edition onwards, the Handbooks are published electronically and are available free on the Scottish Government, Building Standards Division website.

Sections 1 to 7 give guidance on how to achieve the standards set by the regulations, and there are different sets for domestic buildings and non-domestic buildings. The seven sections each cover a number of related standards. They are:

Section 1 Structure

Section 2 Fire

Section 3 Environment

Section 4 Safety

Section 5 Noise

Section 6 Energy

Section 7 Sustainability

Each of the seven sections consists of an introduction and then general guidance on the standards within the section. This is followed by each standard which has specific introductory information and guidance on how to comply with the standard. At the end of the Handbook, after Section 7, there are the following two sections:

Appendix A: Defined terms.

Appendix B: List of standards and other publications.

The Technical Handbooks are supported by a Procedural Handbook, published separately, which clarifies the intent of the Building (Scotland) Procedures Regulations 2004. A separate procedural guidance document for Crown buildings has also been produced.

0.1.2 The Building (Scotland) Regulations 2004

This Technical Handbook gives guidance on achieving the standards set in the Building (Scotland) Regulations. The standards themselves can be found in schedule 5 to regulation 9, and are in the form of 'expanded functional standards'. That is, the standards describe the functions a building should perform, such as 'providing resistance to the spread of fire'.

The Building (Scotland) Regulations made by the Scottish Ministers are subject to approval by the Scottish Parliament. The content of the regulations, so far as it relates to technical specifications, is also scrutinised by the European Commission (EC). The EC checks with all the other countries that have adopted the Construction Products Regulations (CPR) to ensure that no barriers to trade in construction products are created, either directly or indirectly by the way products are described.

To meet the requirements of the CPR, materials and construction methods must be described by use of suitable European Standards wherever these exist. As there is a rolling programme of change to these National and European Standards, which includes conversion to, and the further provision of, ENs and harmonised ENs, the Handbooks have been designed to be readily updated. An explanation of the relevance and status of specific European and British standards referred to in the Handbooks is in the section concerned. There is also a list of the publications referred to in the Handbooks provided in Appendix B.

The arrangement of Sections 1 - 7 within the Handbooks relates directly to the Basic Works Requirements of the CPR (as published by the EC), which construction works are expected to satisfy when they have been properly designed and built. The arrangement is as follows:

Section 1 Structure (EC - Mechanical resistance and stability)

Section 2 Fire (EC - Safety in case of fire)

Section 3 Environment (EC - Hygiene, health and the environment)

Section 4 Safety (EC - Safety and accessibility in use)

Section 5 Noise (EC - Protection against noise)

Section 6 Energy (EC - Energy, economy and heat retention)

Section 7 Sustainability (EC - Sustainable use of natural resources)

0.1.3 The building standards system

The building regulations are enforced through the building standards system that is established by the Building (Scotland) Act 2003. The Act sets out the enabling powers that allow Scottish Ministers to make, not only the building regulations, but also procedural regulations, fees regulations and the other supporting legislation needed to operate the system. The system is designed to ensure that new buildings and works achieve the objectives of the Act in terms of health, safety, welfare, convenience, conservation of fuel and power, and sustainable development.

The roles of those operating the building standards system are explained in detail in the guidance on the procedural regulations. Briefly, the duty to comply with the building regulations lies with the owner, or in some cases the client, for the work. Before work begins a building warrant must be obtained.

For some simpler works a warrant is not required (see regulation 5 and schedule 3), but the regulations still apply. The owner or client again has the duty to comply. The role of issuing warrants and accepting completion certificates rests with verifiers, enforcement is

by local authorities, and the system is overseen and updated by the Building Standards Division (BSD). BSD forms part of the Scottish Government and acts on behalf of, and is responsible to, Scottish Ministers. These bodies are further explained in the guidance to the procedural regulations.

The building standards system is pre-emptive, ensuring so far as possible that the proposed works will comply with the regulations. It recognises that proposals can change during construction, so there are requirements for amendments to the proposals to be agreed and recorded. On completion, the owner or client must certify that the works have been constructed in accordance with the building warrant and the building regulations. The verifier will make reasonable inquiry to ensure the completion certificate is accurate before accepting the certificate. Usually an inspection of the works will be made, and on most projects some inspection of work in progress will also have been carried out. However verifiers cannot inspect all materials and work on every building site. It is the client that should put in place the contractual and practical arrangements needed to assure themselves that the desired quality of work has been achieved.

0.1.4 Status of Technical Handbooks

The regulations are mandatory, but the choice of how to comply lies with the building owner. This Technical Handbook has been issued by Scottish Ministers, through the Building Standards Division, for the purpose of providing practical guidance with respect to the building regulations. If the guidance is followed in full then this should be accepted by the verifier as indicating that the building regulations have been complied with. However it is quite acceptable to use alternative methods of compliance provided they fully satisfy the regulations.

Failure to comply with the Technical Handbook does not render a person liable to civil or criminal procedures, but proof of compliance with the guidance may be relied on in any proceedings as tending to negative liability for an alleged contravention of the building regulations.

Following the advice in the Technical Handbooks is therefore likely to be the normal way of complying with the building regulations. However, a designer may put forward other ways of meeting the regulations, in the form of alternative solutions.

There are a further two guidance documents that have the same standing as the Technical Handbooks. Scottish Ministers have issued these under Section 4(1) of the Building (Scotland) Act 2003. These are:

- Guide for practitioners 7: Fire Safety Management in Traditional Buildings, published by Historic Scotland, and
- The Scottish Building Standards - Technical handbook - Conservatories published by the Building Standards Division.

In due course other documents may be issued by Scottish Ministers to provide further guidance. Such guidance might deal with specific building types, or provide alternative methods of showing compliance with those provided in the Technical Handbooks.

0.1.5 Alternative solutions

The use of expanded functional standards, backed up by detailed guidance, provides a flexible system of control. Consideration of alternative solutions is assisted by the expansion of the functional standards previously used in the building standards regulations to clarify the necessary properties of each building. The need for a formal relaxation of standards is reduced as meeting the full details of given solutions is no longer mandatory. The professional judgement of the verifier, assisted by guidance on questions referred to Scottish Ministers, through the Building Standards Division, decides whether a standard is met.

In considering alternative solutions, however it is necessary to have regard to the details of this guidance. Where performance standards or policy statements are given, every part of the solution is expected to meet them. As a result, alternative solutions that appear suitable may not be acceptable in detail. For example, some of the solutions offered in relation to the English and Welsh building regulations, in the 'Approved Documents' (ADs), are not suitable because the levels of thermal insulation recommended are not the same. Similarly different approaches are taken to the control of fire size and the design of compartmentation which means that constructions meeting the AD on fire safety may not be acceptable. This will vary in time as both ADs and the Scottish Technical Handbooks are updated. Solutions based on other documents, such as British or European Standards, will have to be carefully evaluated to see if the Scottish standards are being met in an appropriate manner.

0.1.6 Domestic and non-domestic buildings

Where any building contains both domestic uses and non-domestic uses, the appropriate parts from each Technical Handbook will need to be used to ensure the standards are complied with in full, for example a caretakers flat in an office building. However, communal rooms or other areas in a block of dwellings that are exclusively associated with the dwellings should be considered using the domestic guidance. Examples of this might be a room used as an office for the operation of a sheltered housing complex or a lounge communal to a block of dwellings. It is also a general principle that where a building or part of a building might be seen as falling into more than one category it should be designed to meet the most stringent recommendations.

0.1.7 Latest changes

The following is a summary of the changes which have been introduced since 1 June 2022. Very minor changes to text have not been included here:

- 0.2.1 – Updated list of amended legislation.
- 0.5.1 – Guidance amended for work types 1, 17 and 25 of schedule 3 to regulation 5. New guidance provided for new work type 25A.
- Schedule 3 to regulation 5 – Amended for types 17 and 25. New work type 25A added for external wall cladding systems that are a minor repair.
- Regulation 8 – Amended to include new requirements for the prohibition on the use of highly combustible metal composite material panels and fire performance criteria for parts of an external wall cladding system.
- 0.8.1 – New explanatory text added for the amended Regulation 8.

0.1.8 Updating

It is intended that this Technical Handbook will be available in electronic form and available free of charge on the Building Standards Division website <http://www.scotland.gov.uk/topics/built-environment/building/building-standards/>. It is not expected that the standards will change regularly as these are set in the building regulations and can only be changed with Parliamentary approval. Therefore it is anticipated that the guidance will be replaced more regularly than the standards themselves.

0.1.9 Arrangement of Section 0

Section 0 is arranged to follow the actual regulations. This sub-section provides an introduction to the building standards system. Sub-section 0.2 covers regulations 1 and 2 which are the citation, commencement and interpretation. Sub-sections 0.3 to 0.15 cover

the significant technical regulations with each sub-section setting out and discussing the regulation with the same number (sub-section 0.3 covering regulation 3 etc.). Regulation 16 establishes which regulations cannot ever be relaxed by Scottish Ministers. These are the regulations on citation and commencement, interpretation, exempted buildings, work not requiring a warrant and the methods of measurement. Regulation 17 was introduced in 2007 to help with the implementation of the Energy Performance of Buildings Directive.

0.1.10 Certification

Scottish Ministers can, under Section 7 of the Building (Scotland) Act 2003, approve schemes for the certification of design or construction for compliance with the mandatory functional standards. Such schemes are approved on the basis that the procedures adopted by the scheme will take account of the need to co-ordinate the work of various designers and specialist contractors. Individuals approved to provide certification services under the scheme are assessed to ensure that they have the qualifications, skills and experience required to certify compliance for the work covered by the scope of the scheme. Checking procedures adopted by Approved Certifiers will deliver design or installation reliability in accordance with legislation.

0.2 Citation, commencement and interpretation

Regulations 1 & 2

Regulation 1

These regulations may be cited as the Building (Scotland) Regulations 2004 and shall come into force on 1 May 2005.

Regulation 2

Regulation 2 sets out the defined terms within the regulations. It is not reproduced in Section 0; instead the terms have been incorporated in the list of defined terms which form Appendix A.

0.2.1 Explanation of Regulation 1

Regulation 1 contains the citation and commencement of the building regulations. They apply to buildings and works as defined in the Building (Scotland) Act 2003, other than works exempted by regulation 3, schedule 1. The full text is:

The Act defines a building as any structure or erection, whether temporary or permanent. This is very wide, but there are exceptions in the The Act for:

- any public road (including any bridge on which the road is carried)
- any private road (bridges on private roads are not excluded in The Act)
- any sewer or water main vested in Scottish Water
- any aerodrome runway

- any railway line
- any large raised reservoir within the meaning of the Reservoirs Act 1975
- any wires and cables, their supports above ground and other apparatus used for telephonic or telegraphic communications.

The term building is, subject to context, taken to include a prospective building, a part of a building and, for extensions, alterations and conversions, it can mean the extension alone or the part subject to alteration or conversion. Works in relation to a building is defined in The Act as including works carried out in relation to the enclosure and preparation of the site. Works therefore includes all construction, demolition and conversion work, the provision of services fittings and equipment, and any work carried out in relation to the site.

The Building (Scotland) Regulations 2004 apply to all buildings and works where an application for warrant is made on or after 1 May 2005. In the case of a Crown building, the regulations apply to all buildings and work where an application for warrant is made on or after 1 May 2009. However, full exemption from the building standards system is provided for defence and national security buildings in legislation under The Building (Scotland) Act 2003 (Exemptions for Defence and National Security) Order 2009, SI 2009 No.822 (S.6).

The Building (Scotland) Act 2003 (Commencement No.2 and Transitional Provisions) Order 2009 allows work to Crown buildings that has started prior to 1 May 2009 to continue with immunity from building regulations. In addition, work carried out pursuant to a contract entered into prior to 1 May 2009 will continue with immunity on the basis that work commenced before 1 November 2009. In both cases, work must be complete before 1 May 2012.

Buildings and works related to earlier warrant applications or exempt works commencing before 1 May 2005 are subject to previous building standards and procedures regulations, in particular the time by when these works must be completed. Previously exempt works, in particular any no longer exempt, must have been completed by 2 September 2005, otherwise the exemption falls and a warrant for any outstanding work may be required.

On completion of the works, before the period specified in the building warrant expires, a completion certificate must be submitted. If a completion certificate is submitted for work done without a warrant, the regulations that are applicable are those in force at the time of submission of the certificate, which may well be more onerous than those which would have applied when the work started. Fuller details of the arrangements for submitting warrant applications and completion certificates will be given in the guidance on the procedure regulations.

The building regulations also incorporate requirements previously set in separate Building Operations Regulations (regulations 13-15). These cover the provision of protective works, clearing of footpaths and securing of unoccupied buildings.

The following is a list of all amendments made to the Building (Scotland) Regulations 2004, together with the date they came into force and a summary of the major changes.

The Building (Scotland) Amendment Regulations 2006 (1 May 2007)

- New regulation 17 - inserted to implement the terms of Article 9 of EPBD regarding the inspection of air conditioning systems.
- Schedule 1 - changes to building types 1 and 20.
- Schedule 3 - changes to building types 1,2,5,6 and 19.
- Schedule 5 - minor changes to functional standards. New functional Standards 6.9 and 6.10.

The Building (Scotland) Amendment Regulations 2007 (28 March 2007)

- Replacement Schedule 2 for that contained in 2006 amendments.
- Schedule 5 - minor changes to functional Standards 6.9 and 6.10.

The Building (Scotland) Amendment Regulations 2008 (4 January 2009)

- Minor changes to reflect requirements of energy performance certificates.

The Building (Scotland) Amendment Regulations 2009 (1 May 2009)

- Schedule 1 - change to paved areas or hardstanding exempt from regulations 8-13.
- Schedule 3 - amended to include certain Crown buildings.

The Building (Scotland) Amendment Regulations 2010 (1 October 2010)

- Schedule 3 - rewording of building type 2A.
- Schedule 5 - minor changes to several functional standards. Re-write of functional Standard 5.1 and new functional Standard 5.2.

The Building (Scotland) Amendment Regulations 2011 (1 May 2011)

- Definition of 'statement of sustainability'.
- Schedule 3 - new work type for any work associated with affixing a statement of sustainability to a building.
- Schedule 5 - introduction of Section 7 (Sustainability).

The Building (Scotland) Amendment Regulations 2012 (9 January 2013)

- Regulation 17 - change to require issue of inspection reports following an air conditioning system inspection.
- Schedule 5 - change to limitation to functional Standard 6.9(c) requiring display of EPC in buildings with a floor area of more than 500 square metres which are frequently visited by the public.

Building (Miscellaneous Amendments) (Scotland) Regulations 2013 (1 October 2013)

- Schedule 5 - change to limitations to functional Standards 2.15 and 3.25; new Standard 3.27 Water Efficiency introduced; change to Standard 7.1.
- Schedule 6 - new Standard 3.27 introduced.

Explosives Regulations 2014 (1 October 2014)

- Schedule 1 - change to exempt building type 1.

Building (Scotland) Amendment Regulations 2014 (1 October 2015)

- Schedule 5 - change to limitations to functional Standards 6.1 and 6.9.

Building (Scotland) Amendment Regulations 2015 (9 July 2013 and 1 October 2015)

- Schedule 5 - change to limitations to functional Standard 6.9 (9 July 2015).
- Schedule 5 - change to limitations to functional Standard 6.3 (1 October 2015).

Building (Scotland) Amendment Regulations 2016 (1 July 2016)

- Schedule 5 - new Standard 4.14 In-building physical infrastructure for high-speed electronic communications networks introduced.

- Schedule 6 - new Standard 4.14 introduced.

Building (Energy Performance of Buildings) (Scotland) Amendment Regulations 2016 (13 March 2016)

- Regulation 17 - change to 17(1)(a).
- Schedule 5 - change to Standard 6.1.

Building (Miscellaneous Amendments) (Scotland) Amendment Regulations 2017 (30 June 2017)

- Schedule 3 - Type 23A exception text amended.

Building (Miscellaneous Amendments) (Scotland) Regulations 2017 (1 July 2017)

- Regulation 9 - change to recognise new Type 23A in Schedule 3.
- Schedule 3 - new type 23A introduced.

Building (Scotland) Amendment Regulations 2019 (1 October 2019)

- Schedule 5 - change to Standard 2.4.

Building (Scotland) Amendment Regulations 2020 (1 March 2021)

- Changes to defined terms cited under regulation 2.
- Schedule 5 – change to Standard 2.15.

Building (Scotland) Amendment Regulations 2022 (1 June 2022 & 1 October 2022)

- Changes to defined terms cited under regulation 2.
- Schedule 3 – change to types 17, 25 and new type 25A.
- Regulation 8 – limitations on materials used in cladding systems and internal linings to limit fire growth.
- Schedule 5 – change to Standard 2.7, 6.1 and 6.7.
- Schedule 5 – new Standard 3.28 Overheating Risk introduced.
- Schedule 6 – new Standard 3.28 referenced.

0.2.2 Explanation of Regulation 2

Regulation 2 sets out the defined terms within the regulations. It is not reproduced in Section 0, instead the terms have been incorporated in the list of defined terms which form Appendix A. The Appendix also includes definitions from the Building (Scotland) Act 2003 and those used in these Technical Handbooks.

In the determination of the description of a building, any use which is ancillary to another use or which is of a minor nature should be disregarded and the building taken to be that of the principal description. Minor uses within the curtilage of a dwelling may also be disregarded, for example a single-room office for use by up to two people. Notwithstanding the above, parts of a building may be considered to be of a separate description where the context requires (for example a caretakers flat should be taken separately from any other part of the building in which it is located).

A dwelling may include any surgeries, consulting rooms, offices or other accommodation, of a floor area not exceeding in the aggregate 50 square metres, forming part of the dwelling and used by an occupant of the dwelling in a professional or business capacity. A

dwelling may provide bed and breakfast facilities provided this does not exceed two double bedrooms and is not in use for more than half of the year.

Where further guidance on building types is needed to define the proposals for particular buildings, it is included in the relevant section.

0.3 Exempted buildings and services, fittings and equipment

Regulation 3

1. **Regulations 8 to 12 shall not apply to any building or any services, fittings and equipment the whole of which falls into any one or more of the exempted types described in schedule 1.**
2. **The provision of:**
 - a. **services, fittings and equipment to, or the demolition or removal of, exempted buildings is exempt, and**
 - b. **services, fittings and equipment to, or the demolition of, exempted services, fittings and equipment is exempt.**
3. **For the purposes of this regulation, for the avoidance of doubt, each such exempted type does not include any of the exceptions expressed in relation to that type.**

0.3.1 Explanation

Regulation 3 and schedule 1 set out what buildings and work are exempted from the building regulations. The general principles applied to establish exemption are that the regulations do not need to apply where:

- other legislation covers the buildings or work (types 1 - 3)
- the buildings or work are covered by another regulation (type 4)
- the buildings or work are not normally frequented by people (types 5 - 8)
- the buildings or work are so separated that the regulations are largely inappropriate, and are likely in any case to be supervised by specialists including civil engineers (types 9 - 12)
- the buildings or work are sufficiently minor that they have little or no impact on the public interest and it is not in the public interest to seek to enforce the regulations (types 13 - 15 and 17 - 21)
- the buildings or work are temporary (type 16).

Particular care is necessary where exempted work is in the vicinity of, or attached to, an existing building. The level of compliance of the existing building with building regulations should not be adversely affected when exempt works are undertaken.

Where exempt work requires that alteration is made to an existing building to maintain the level of compliance with building regulations, a building warrant may be required.

For example where it is intended to construct a porch, which falls within type 18, over an accessible entrance and a new accessible entrance is required.

0.3.2 Schedule 1

Table 0.1 Exempted buildings and services, fittings and equipment

Reason	Type	Description	Exception
Buildings etc. controlled by other legislation	1.	<p>1. Any building in which explosives are manufactured or stored under a licence granted under the Explosive Regulations 2014 where the whole building is used for that manufacture or storage.</p> <p>2. Where only a part of a building is used for the manufacture or storage of explosives under a licence granted under the Explosive Regulations 2014, that part of the building where the licence specifies that manufacture or storage may take place.</p> <p>3. Except - sub-paragraphs (1) and (2) do not include any building or, as the case may be, any part of a building as is referred to in, respectively, sub-paragraph (1) or (2) in relation to which -</p> <p>a. no minimum separation distance is required to be maintained by virtue of regulation 27(2)(a) or (3) of the Explosives Regulations 2014, or</p> <p>b. a minimum separation distance of 0 metres is prescribed by virtue of regulation 27(1) of, and Schedule 5 to the Explosive Regulations 2014 and the requirement for the assent of the local authority under regulation 13(3) of those Regulations did not apply by virtue of regulation 13(4)(a) of those Regulations.</p>	
	2.	A building erected on a site which is subject to licensing	<ul style="list-style-type: none"> • A dwelling, residential building,

Reason	Type	Description	Exception
		under the Nuclear Installations Act 1965.	office, canteen or visitor centre.
	3.	A building included in the schedule of monuments maintained under section 1 of the Ancient Monuments and Archaeological Areas Act 1979.	<ul style="list-style-type: none"> • A dwelling or residential building.
Protective works	4.	Protective works subject to control by regulation 13.	
Buildings or work not frequented by people	5.	A building into which people cannot or do not normally go.	<ul style="list-style-type: none"> • A building within 6m or the equivalent of its height (whichever is the less) of the boundary. • A wall or fence. • A tank, cable, sewer, drain or other pipe above or below ground for which there is a requirement in these regulations.
	6.	Detached fixed plant or machinery or a detached building housing only fixed plant or machinery, the only normal visits to which are intermittent visits to inspect or maintain the fixed plant or machinery.	<ul style="list-style-type: none"> • A building within 1m of a boundary.
Agricultural and related buildings	7.	An agricultural greenhouse or other building of mainly translucent material used mainly for commercial growing of plants.	<ul style="list-style-type: none"> • A building used to any extent for retailing (including storage of goods for retailing) or exhibiting.
	8.	A single-storey detached building used for any other form of agriculture, fish farming or forestry.	<ul style="list-style-type: none"> • A building used to any extent for retailing (including storage for retailing) or exhibiting. • A building exceeding 280 square metres in area. • A building within 6m or the equivalent of its height (whichever

Reason	Type	Description	Exception
			is the less) of a boundary. <ul style="list-style-type: none"> • A dwelling, residential building, office, canteen or visitor centre. • A dungstead or farm effluent tank.
Works of civil engineering construction	9.	A work of civil engineering construction, including a dock, wharf, harbour, pier, quay, sea defence work, lighthouse, embankment, river work, dam, bridge, tunnel, filter station or bed, inland navigation, reservoir, water works, pipe line, sewage treatment works, gas holder or main, electricity supply line and supports, any bridge embankment or other support to railway lines and any signalling or power lines and supports, and a fire practice tower.	<ul style="list-style-type: none"> • A bridge or tunnel forming part of an escape route or an access route provided to meet a requirement of these regulations. • A private sewage treatment works provided to meet a requirement of these regulations.
Buildings of a specialist nature	10.	A building essential for the operation of a railway including a locomotive or carriage shed, or for the operation of any other work of civil engineering contained in type 9 of this schedule and erected within the curtilage of such a railway or work.	<ul style="list-style-type: none"> • A signalling and control centre for a railway or dock. • A building to which the public is admitted, not being a building exempted by type 11 of this schedule. • A dwelling, residential building, office, canteen, or warehouse.
	11.	A single- storey detached road or rail passenger shelter or a telephone kiosk which in so far as it is glazed complies with the requirements of regulation 9 and paragraph 4.8 of schedule 5.	<ul style="list-style-type: none"> • A building having a floor area exceeding 30 square metres. • A building containing a fixed combustion appliance installation.
	12.	A caravan or mobile home within the meaning of the Caravan Sites and Control of Development Act 1960, or a tent van or shed within the	<ul style="list-style-type: none"> • Any wastewater disposal system serving a building of this type.

Reason	Type	Description	Exception
		meaning of Section 73 of the Public Health (Scotland) Act 1897.	
Small buildings	13.	A detached single- storey building having an area not exceeding 8 square metres.	<ul style="list-style-type: none"> • A dwelling or residential building. • A building ancillary to and within the curtilage of a dwelling. • A building within 1m of a boundary. • A building containing a fixed combustion appliance installation or sanitary facility. • A wall or fence.
Construction & development buildings	14.	A building used only by people engaged in the construction, demolition or repair of any building or structure during the course of that work.	<ul style="list-style-type: none"> • A building containing sleeping accommodation.
	15.	A building used in connection with the letting or sale of any building under construction until such time as the letting or sale of all related buildings is completed.	<ul style="list-style-type: none"> • A building containing sleeping accommodation.
Temporary buildings	16.	A building which, during any period of 12 months, is either erected or used on a site – for a period not exceeding 28 consecutive days, or for a number of days not exceeding 60, and any alterations to such buildings.	
Buildings ancillary to houses	17.	A detached single- storey building ancillary to and within the curtilage of a house.	<ul style="list-style-type: none"> • A building exceeding 8 square metres in area. • A building within 1m of the house unless it is at least 1m from any boundary.

Reason	Type	Description	Exception
			<ul style="list-style-type: none"> • A building containing sleeping accommodation. • A building containing a flue, a fixed combustion appliance installation or sanitary facility. • A wall or fence.
	18.	A single- storey building attached to an existing house, which is ancillary to the house and consists of a conservatory or porch which insofar as it is glazed complies with the requirements of regulation 9 and paragraph 4.8 of schedule 5.	<ul style="list-style-type: none"> • A building exceeding 8 square metres in area. • A building containing a flue, a fixed combustion appliance installation or sanitary facility. • A building within 1m of a boundary.
	19.	A single- storey building which is detached, or is attached to an existing house and which is ancillary to the house and consists of a greenhouse, carport or covered area.	<ul style="list-style-type: none"> • A building exceeding 30 square metres in area. • A building containing a flue, a fixed combustion appliance installation or sanitary facility.
Buildings ancillary to flats or maisonettes	20.	A detached single- storey building ancillary to and within the curtilage of a flat or maisonette.	<ul style="list-style-type: none"> • A building exceeding 8 square metres in area. • A building within 1m of the flat or maisonette or within 3m of any other part of the building containing the flat or maisonette. • A building within 1m of a boundary. • A building containing a flue,

Reason	Type	Description	Exception
			a fixed combustion appliance installation or sanitary facility. <ul style="list-style-type: none"> • A wall or fence. A swimming pool deeper than 1.2m.
Paved areas	21.	A paved area or hardstanding.	<ul style="list-style-type: none"> • A paved area or hardstanding exceeding 50 square metres in area. • A paved area forming part of an access to meet a requirement of these regulations.

0.4 Changes in the occupation or use of a building that cause the regulations to apply

Regulation 4

For the purposes of section 56(1) of the Act and these regulations, the changes in occupation or use of buildings set out in schedule 2 shall be conversions to the extent specified by regulation 12.

0.4.1 Explanation

The building regulations always apply where construction occurs, unless exempted by regulation 3, and construction includes alterations and extensions as well as entirely new buildings. When there is a conversion it will be necessary to seek a warrant and possibly to undertake works to improve the standards of the building, or part of the building, concerned.

Regulation 4 and schedule 2 set out what changes of occupation or use of a building are defined as conversions and for which the owner must obtain a warrant before making the change. The warrant for a conversion will only be granted if the standards set out in regulation 12 are achieved and this might well require building works.

Those changes of use or occupation listed in schedule 2 are those which are considered critical due to the risks involved. They relate to:

a. domestic buildings, for example:

- a hotel to a dwelling (type 1)
- use of an attic space as a room within a dwelling (type 1)
- use of a garage attached to a dwelling as a room (type 2)

- sub-division of a house into two flats (type 3)
 - use of a house as shared residential accommodation (type 4)
- b. residential buildings, for example:
- use of a hotel as office (type 5)
 - use of a hotel as a residential care home (type 6)
 - use of offices as a backpackers hostel (type 7)
- c. whether a building falls within the exemptions of schedule 1, for example:
- use of a railway signal box as a house (type 8)
- d. public access to buildings, for example:
- development of a retail trade in a storage building (type 9)
- e. division of a building into different occupancies, for example:
- use of a single shop to provide space for two different occupancies (type 10).

Type 6 in schedule 2 refers to the significant alterations in the type and the number of expected occupants. A significant alteration of type could be considered to occur when there was a significant change in the mobility, the familiarity with building, or the awareness of danger, of the occupants. For example, significantly different types would include:

- patients receiving care and/or treatment in a residential care home/hospital
- children in a residential institution or residential school
- guest in a hotel
- people held in lawful detention.

A significant alteration in number could be considered to occur where it amounted to an increase greater than 25%.

Type 9 in schedule 2 refers to allowing access by the general public where previously there was none. Access by the general public refers to permitting members of the general public to enter a building during opening hours and allowing them to access all parts of the building, other than those parts restricted to staff only.

For conversions it is the intention that the standards achieved in the converted building should be broadly similar to those achieved by entirely new buildings. Schedule 6 to regulation 12 guides the verifier as to where discretion is expected to be necessary. It identifies those standards where it is not expected to be reasonably practicable to have existing buildings fully comply. However for these standards improvement of the existing building is expected where it is reasonably practicable. This means that matters such as thermal insulation now have to be improved even if meeting the full standard is not practically achievable. Guidance on what is normally reasonably practicable is given in schedule 6 and in the individual sections. Guidance is also given on the treatment of historic buildings.

It is also relevant that the requirements of other legislation, for example regulations made under Health and Safety at Work or licensing legislation, will apply to changes of use, so that risk assessments of changed circumstances will provide protection to the occupants of buildings.

0.4.2 Schedule 2

Table 0.2 Conversions to which the regulations apply

Type	Conversion
1.	Changes in the occupation or use of a building to create a dwelling or dwellings or a part thereof.
2.	Changes in the occupation or use of a building ancillary to a dwelling to increase the area of human occupation.
3.	Changes in the occupation or use of a building which alters the number of dwellings in the building.
4.	Changes in the occupation or use of a domestic building to any other type of building.
5.	Changes in the occupation or use of a residential building to any other type of building.
6.	Changes in the occupation or use of a residential building which involve a significant alteration to the characteristics of the persons who occupy, or who will occupy, the building, or which significantly increase the number of people occupying, or expected to occupy, the building.
7.	Changes in the occupation or use of a building so that it becomes a residential building.
8.	Changes in the occupation or use of an exempt building (in terms of schedule 1) to a building which is not so exempt.
9.	Changes in the occupation or use of a building to allow access by the public where previously there was none.
10.	Changes in the occupation or use of a building to accommodate parts in different occupation where previously it was not so occupied.

0.5 Buildings work, services, fittings and equipment not requiring a warrant

Regulation 5

For the purposes of section 8 (8) of the Act, any work which consists solely of a building or conversion, including the provision of services, fittings or equipment, of a kind specified in schedule 3, shall meet the standards required by regulations 8 to 12 but shall not, subject to the exceptions and conditions, require a warrant.

0.5.1 Explanation

Regulation 5 and schedule 3 specifies what work can be done without the need to obtain a building warrant. However such work must still comply with the regulations.

Building type 1 means much more work to or in houses does not need a warrant. This could include:

- work external to, but immediately adjoining, the house (e.g. patio, decking, wall, fence, steps or ramp)

- small penetrations of the external walls or roof (e.g. balanced flues, sanitary pipework, mechanical extract ducts or vent pipes)
- small attachments to the external walls (e.g. canopies or micro-renewables)
- erection, demolition or alteration of non-loadbearing partitions
- electrical work
- an en-suite bathroom or shower room (including associated drainage)
- a central heating system.

The exceptions are intended to safeguard against changes that might have significant effect, such as the removal of structural walls. The following list provides some examples of the various exceptions:

- increasing the floor area of the house (e.g. creation of a mezzanine floor or the infill of a stair well)
- demolition or alteration of the roof (e.g. forming a dormer window or construction of a masonry chimney through the roof)
- demolition or alteration of the external walls (e.g. slapping a new window or door, applying an external wall cladding system). The guidance in clause 2.7.1 to standard 2.7 explains the meaning of external wall cladding system including the various component parts that could make up the system.
- demolition or alteration of an element of structure (e.g. removal of a loadbearing wall)
- work adversely affecting a separating wall (e.g. installing recessed electrical sockets)
- work involving a change to wastewater discharge (e.g. disconnection from the mains system).

The exception about increasing the floor area applies because there will be significant implications arising from such work. Other changes, such as the development of a roof space or a garage as habitable space are conversions in terms of regulation 4, a warrant is required and the standards also apply. Where a roof space has limited boarding inserted to allow access to services or to allow attic storage, or where the removal of a non-loadbearing wall creates a marginal increase in floor area these should not be considered as increasing the floor area.

Building type 2 - buildings, other than domestic buildings or residential buildings, where the public are not normally admitted are granted a similar concession in type 2, allowing many offices and factories for example, to make the kind of small alterations necessary to accommodate changes in production or process. Again, however, the building work done should be to the standard of the building regulations. Exemptions under type 2 recognise security concerns relating to a prison, a building where a person may be legally detained or legally held in custody, the Scottish Parliament and property owned by Her Majesty in right of Her private estates.

Thus, types 1 and 2 permit virtually any work to be carried out to 1 or 2 storey houses and to non-domestic buildings not more than 7.5m high, other than the exceptions listed.

Building types 3 - 23 - the broad types described above are followed by types 3 to 23 covering more specific work that can be carried out to a wider range of buildings without restricting the work allowed by types 1 and 2. Types 3 to 23 begin with small buildings, particularly those within the curtilage of dwellings (types 4 and 5). Note that some of these may now be in the curtilage of flats or maisonettes provided they are a sufficient distance from the dwellings. A sanitary facility should not be considered to be a wet-floor shower room and such work is not intended to be covered by type 11.

Building Type 17 – the exception to type 17 is intended to apply to any thermal insulation material associated with the application of an external wall cladding system. The guidance in clause 2.7.1 explains the meaning of external wall cladding system including the various component parts that could make up the system.

Building type 23A – a building, used for shelter or sleeping in connection with recreation. This building type is different from other building types in schedule 3 in that they must comply with the requirements of standards 1.1, 3.17 – 3.22 and 4.4. Exceptions are added to recognise galleries, proximity to buildings and boundaries.

Building types 24 - 26 - are different in that they cover work that is closer to a repair than new work. These replacements are therefore required to be to a standard no worse than the existing, rather than to the standard for completely new work.

Doors, windows and rooflights which are a complete replacement are not considered to be a repair and have to meet the full requirements of the standards (see type 20). For historic buildings, where there is a specific need to match existing doors, windows or rooflights, the principle of 'like for like' may still be permitted.

Type 25A limits the exemption for replacement external wall cladding systems to minor repairs that can be carried out to a standard no worse than existing.

As a consequence of this new type, the reference to cladding in type 25 has been omitted.

In relation to work to external wall cladding systems, minor repair means isolated repair or replacement of elements of cladding which are physically damaged or have degraded to the point that the element is no longer fit for its intended purpose.

The changes to type 17 and 25 are intended to safeguard against rapid fire spread on or within external wall cladding systems.

Refer also to requirements specific to work undertaken on cladding systems under regulation 8.

0.5.2 Schedule 3

Table 0.3 Description of building and work, including the provision of services, fitting and equipment, not requiring a warrant

Type	Description	Exception
A	On condition that types 1 – 23 in all respects and/or in the manner of their fitting meet any standards required by the regulations.	
1.	Any work to or in a house.	<ul style="list-style-type: none"> • Any work which increases the floor area of the house. • Any demolition or alteration of the roof, external walls or element of structure. • Any work involving underpinning. • Any work adversely affecting a separating wall. • Any work involving a change in the method of wastewater discharge. • Work, not being work of types 3 to 26 below, to a house having a storey, or creating a storey, at a height of more than 4.5m.
2.	Any work to or in a non-residential building to which the public does not have access.	<ul style="list-style-type: none"> • A non-residential building within which there is a domestic or residential building. • Any work which increases the floor area of the building.

Type	Description	Exception
		<ul style="list-style-type: none"> • Any demolition or alteration of the roof, external walls or element of structure. • Any work involving underpinning. • Any work adversely affecting a separating wall. • Any work involving a change in the method of wastewater discharge. • Work, not being work of types 3 to 26 below, to a building having a storey, or creating a storey, at a height of more than 7.5m.
2A.	Any work to or in a building that is a prison or a building where a person may be legally detained or otherwise legally held in custody.	<ul style="list-style-type: none"> • Any work which increases the floor area of the building by more than 100 square metres. • Any demolition or alteration of the roof, external walls or element of structure. • Any work involving underpinning. • Any work adversely affecting a separating wall. • Any work involving a change in the method of wastewater discharge. • Work, not being work of types 3 to 26 below, to a prison or a building where a person may be legally detained or otherwise legally held in custody having a storey, or creating a storey, at a height of more than 7.5m.
2B.	A building or any work to or in a building or the conversion of a building that is the Scottish Parliament.	
2C.	A building or any work to or in a building or the conversion of a building belonging to Her Majesty in right of Her private estates.	
and, without prejudice to the generality of types 1 to 2C above,		
3.	A detached single-storey building, having an area exceeding 8 square metres but not exceeding 30 square metres.	<ul style="list-style-type: none"> • A dwelling or residential building. • A building ancillary to, or within the curtilage of, a dwelling. • A building within 1m of a boundary. • A building containing a fixed combustion appliance installation or sanitary facility. • A swimming pool deeper than 1.2m.
4.	A detached single-storey building, having an area	<ul style="list-style-type: none"> • A building within 1m of the house unless it is at least 1m from any boundary.

Type	Description	Exception
	exceeding 8 square metres but not exceeding 30 square metres, ancillary to and within the curtilage of a house.	<ul style="list-style-type: none"> • A building containing a fixed combustion appliance installation or sanitary facility. • A swimming pool deeper than 1.2m.
5.	A detached single-storey building, having an area exceeding 8 square metres but not exceeding 30 square metres, ancillary to and within the curtilage of a flat or maisonette.	<ul style="list-style-type: none"> • A building within 1m of the flat or maisonette or within 3m of any other part of the building containing the flat or maisonette. • A building within 1m of a boundary. • A building containing a fixed combustion appliance installation or sanitary facility. • A swimming pool deeper than 1.2m.
6.	Any work associated with a combustion appliance installation or other part of a heating installation, not being work of types 7 or 8 below.	<ul style="list-style-type: none"> • Any work associated with a solid fuel appliance having an output rating more than 50kW, an oil-firing appliance with an output rating more than 45kW or a gas-fired appliance having a net input rating more than 70kW. • Any work associated with a chimney, flue-pipe or constructional hearth. • Any work associated with an oil storage tank with a capacity of more than 90 litres, including any pipework connecting the tank to a combustion appliance providing space or water heating or cooking facilities. • Any work adversely affecting a separating wall or separating floor.
7.	Any work associated with a balanced flue serving a room-sealed appliance.	
8.	Any work associated with pipework, radiators, convector heaters and thermostatic controls for, or associated with, type 6 above.	
9.	Any work associated with installing a flue liner.	
10.	Any work associated with refillable liquefied petroleum gas storage cylinders supplying, via a fixed pipework installation, combustion appliances used principally for providing space heating, water heating, or cooking facilities.	
11.	Any work associated with the provision of a single sanitary facility, together with any	<ul style="list-style-type: none"> • Any work associated with a water closet, waterless closet or urinal.

Type	Description	Exception
	relevant branch soil or waste pipe.	
12.	Any work associated with the relocation within the same room or space of any sanitary facility, together with any relevant branch soil or waste pipe.	
13.	Any work associated with the provision of an extractor fan.	
14.	Any work associated with a stairlift within a dwelling.	
15.	Any work associated with the provision of a notice or other fixture for which there is no requirement provided in these regulations.	
15A.	Any work associated with affixing of an energy performance certificate to a building.	
15B.	Any work associated with affixing a statement to a building.	
16.	Any work associated with an outdoor sign that is the subject to the Town and Country Planning (Control of Advertisements)(Scotland) Regulations 1984.	
17.	Any work associated with thermal insulating material to or within a wall, ceiling, roof or floor.	<ul style="list-style-type: none"> Any work associated with the application of an external wall cladding system that consists of thermal insulating material.
18.	A wall not exceeding 1.2m in height, or a fence not exceeding 2m in height.	
19.	Any work associated with open raised external decking.	<ul style="list-style-type: none"> Decking at a height of more than 1.2m. Decking that forms part of any access provided to comply with the requirements in regulation 9 and paragraph 4.1 of schedule 5. Decking that forms any escape route other than from a flat or Maisonette, provided to comply with the requirements in regulation 9 and paragraph 2.9 of schedule 5.
20.	A door, window or rooflight when the work includes replacing the frame.	
21.	A paved area or hardstanding exceeding 50 square metres	

Type	Description	Exception
	in area but not exceeding 200 square metres in area. A paved area forming part of an access to meet a requirement of these regulations.	
22.	An electrical installation, including a circuit for telecommunication, alarm purposes or for the transmission of sound, vision or data, which operates at extra-low voltage (not exceeding 50 volts alternating current or 120 volts direct current, measured between conductors or to earth) and which is not connected directly or indirectly to an electricity supply which operates at a voltage higher than either of those specified above.	
23.	The construction of a ramp not exceeding 5m in length.	
AA	On condition that this type in all respects and/or in the manner of their fitting meet the requirements of Standards 1.1, 3.17, 3.18, 3.19, 3.20, 3.21, 3.22 and 4.4 of schedule 5.	
23A.	<p>A detached single-storey building used for shelter or sleeping in connection with recreation.</p> <p>Interpretation of this paragraph.</p> <p>In this paragraph, "gallery" means a raised floor or platform which is open to the room or space into which it projects and is not enclosed below.</p>	<ul style="list-style-type: none"> • A dwelling. • A building having an area exceeding 30 square metres. • A building ancillary to another building. • A building within 6 metres of a boundary or of another building. • Any wastewater disposal system serving a building of this type. • A building containing a gallery or galleries unless the gallery, or where there is more than one gallery, the galleries together occupy an area not more than - <ul style="list-style-type: none"> a. 8 square metres, or b. one-half of the area of the room or space in which it is situated, whichever is the lesser.
B	On condition than this work, service, fitting or equipment is to a standard no worse than at present.	
24.	Any work associated with the replacement of a fitting or equipment, in whole or	<ul style="list-style-type: none"> • Any door, window or rooflight. • Any oil firing or gas fired boiler.

Type	Description	Exception
	in part, by another of the same general type, including a sanitary facility (together with any relevant branch soil or waste pipe), rainwater gutter or downpipe, solid fuel combustion appliance, electrical fixture, ventilation fan, chimney or flue outlet fitting or terminal, fire hydrant or main, lift or escalator, solid waste chute or container, kitchen fitments or other fitted furniture and ironmongery.	
25.	Any work associated with the replacement in whole or in part, by material of the same general type, of flooring, lining, covering or rendering either internally or externally.	
25A.	Replacement of part of an external wall cladding system when the replacement is to make a minor repair.	
26.	Any work to a door, window or rooflight, including glazing which is not a complete replacement falling within type 20 above.	

0.6 Limited life buildings

Regulation 6

For the purposes of paragraph 3 of schedule 1 of the Act (which enables special provision to be made for buildings intended to have a limited life) a period of five years is hereby specified.

0.6.1 Explanation

Regulation 6 deals with constructions that are intended to have only a short life span on site and in view of this the mandatory standards and associated guidance give some concessions to such buildings. These concessions only apply to buildings which are not dwellings.

Standard 3.1 in schedule 5 allows a lesser standard for the treatment of the site of a limited life building, other than a dwelling.

Section 6 Energy, indicates that less demanding U-values can be adopted for the insulation envelope of certain types of limited life buildings, other than dwellings and residential buildings.

Section 7 Sustainability, does not apply to these limited life buildings.

0.7 Measurements

Regulation 7

For the purpose of these regulations, measurements shall be made or calculated in accordance with schedule 4.

0.7.1 Explanation

Schedule 4 to regulation 7 specifies those methods of measurement that are necessary for the regulations themselves. In the Technical Handbooks certain additional measurements are also used, and references to additional methods of measurement specific to particular sections are included in the introductions to those sections.

0.7.2 Schedule 4

Measurements

Area

1. Measurement of area shall be taken to the innermost surfaces of enclosing walls or, on any side where there is no enclosing wall, to the outermost edge of the floor on that side.
2. A room excludes any built-in fixture extending from the floor to the ceiling.
3. In the case of a dwelling, a room excludes any part where the height is less than 1.5m.

Height and depth

4. The height of:
 - a. a building shall be taken to be the height from the surface of the ground to the underside of the ceiling of the topmost storey or, if the topmost storey has no ceiling, one-half of the height of the roof above its lowest part, and
 - b. a storey above the ground or the depth of a storey below the ground shall be taken to be the vertical height or depth as the case may be from the ground to the upper surface of the floor of the storey, and the expressions "a storey at a height" and "a storey at a depth" shall be construed accordingly.
5. In the measurement of height or depth from ground which is not level the height or depth shall be taken to be the mean height or depth, except that:
 - a. for the purpose of types 1, 2, 3, 4, 5, 18 or 19 of schedule 3, and
 - b. for any other purpose where the difference in level is more than 2.5m the height or depth shall be taken to be the greatest height or depth.

General

6. Except where the context otherwise requires, measurements shall be horizontal and vertical.

0.8 Durability, workmanship and fitness of materials

Regulation 8

1. Work to every building designed, constructed and provided with services, fittings and equipment to meet a requirement of regulation 9 to 12 must be carried out in a technically proper and workmanlike manner, and the materials used must be durable, and fit for their intended purpose.
2. All materials, services, fittings and equipment used to comply with a requirement of regulations 9 to 12 must, so far as reasonably practicable, be sufficiently accessible to enable any necessary maintenance or repair work to be carried out.
3. Subject to paragraph (4), work must be carried out so that materials which form part of an external wall cladding system, or specified attachment, of a relevant building are of European Classification A2-s1, d0 or A1, classified in accordance with BS EN 13501-1:2018 entitled “Fire classification of construction products and building elements. Classification using testing data from reaction to fire tests” published by the British Standards Institution.
4. Paragraph (3) does not apply to materials which form part of -
 - a. cavity trays,
 - b. cavity vents,
 - c. any part of a roof (other than a roof pitched at an angle 70 degrees or more to the horizontal) if that part is connected to an external wall,
 - d. door frames and doors,
 - e. insulation and water proofing materials used below the ground and up to 300mm above the ground,
 - f. intumescent and fire stopping materials, fire barriers and cavity barriers where the inclusion of the materials is necessary to meet the requirements in section 2 (fire) of schedule 5,
 - g. membranes,
 - h. seals, gaskets, fixings, sealants and backer rods,
 - i. thermal break materials,
 - j. window frames and glass.
5. Work must be carried out so that an external wall cladding system or internal lining does not comprise highly combustible metal composite material.
6. In this regulation —

“highly combustible metal composite material” means any panel or sheet, having a thickness of no more than 10mm, which consists of a number of layers, two or more of which are made of metal, alloy, or metal compound and one or more substantial layer of which is made of material having a gross calorific value of more than 35 MJ/kg when tested in accordance with BS EN

ISO 1716:2018 entitled “Reaction to fire tests for products – Determination of the gross heat of combustion (calorific value)” published by the British Standards Institution in 2018;

“relevant building” means a building having a storey, or creating a storey (not including roof-top plant areas or any storey consisting exclusively of plant rooms) at a height of 11 metres or more above the ground and which contains-

- a. **a dwelling,**
- b. **a building used as a place of assembly, or as a place of entertainment or recreation,**
- c. **a hospital,**
- d. **a residential care building or sheltered housing complex,**
- e. **a shared multi-occupancy residential building.**

“specified attachment” means-

- a. **a balcony,**
- b. **solar shading,**
- c. **a solar panel, attached to an external wall.**

“substantial layer” means a layer is one which is at least 1mm thick or has a mass per unit area of at least 1 kg per m².

0.8.1 Explanation

Regulation 8 applies to all building work, and requires that materials, fittings and components used in the construction of buildings should be suitable for their purpose, correctly used or applied, and sufficiently durable, taking account of normal maintenance practices, to meet the requirements of these regulations. For example, external timber cladding for low-rise buildings that is readily accessible and replaceable need not be as durable as that which is to be used at a higher level on medium-rise buildings.

It also implements the European Regulation 305/2011/EU Construction Products Regulation (CPR), in force on 1 July 2013 that replaces the current Construction Products Directive (89/106/EEC). This Regulation requires that products covered by a harmonised European product standard or conforming to a European Technical Assessment should normally have CE marking.

The intention of the guidance below is to provide adequate flexibility to accommodate new techniques as well as proven traditional practices. This guidance ensures acceptance of products which satisfy the basic works requirements of the CPR to avoid barriers to trade. For example, products bearing a CE mark (European Mark of Conformity) must be accepted as meeting regulation requirements where the declaration of performance satisfies the requirement and the product is being correctly used.

Sections 1 - 7 of the Technical Handbooks are arranged to equate with the 7 basic works requirements of the CPR. This should aid assessment of products against the regulation requirements. There may however be other Directives applicable to certain products or constructions.

A verifier may only reject CE marked products if the declaration of performance does not meet the regulation requirement or the products are being incorrectly used. If the

verifier rejects a product the relevant trading standards officer should be notified. This is a requirement of the CPR, and will enable the UK government, where necessary, to notify the European Commission.

It should be noted that CE marking alone does not show compliance with the building regulations, as the CE mark may be showing compliance with other Directives or Regulations applicable to certain products or constructions. For example, a self contained smoke alarm, manufactured in accordance with the Electro Magnetic Compatibility Directive should be accepted as satisfying requirements only insofar as they relate to prevention of electromagnetic disturbances by, and prevention against disturbances to, such smoke alarms.

External wall cladding systems and specified attachments – There may be a risk of fire spread on the external wall of a building due to the presence of combustible external wall cladding systems or specified attachments. Fire could break out through a window or door opening and spread onto the external walls. External walls close to the boundary are also at risk as they may be exposed to direct flame impingement or radiant heat flux from a fire in an adjoining building or other external source e.g. bin fire.

Fire-fighters may not be able to apply a water jet from a fire-fighting hose directly onto a fire that has spread onto an external wall cladding system or specified attachment high above the ground. This is because the external wall is either inaccessible or is out with the reach capability of fire-fighting equipment. Therefore, the construction and materials used on facades of taller buildings should not contribute to the fire development. The 11m storey height in Regulation 8 and in the guidance to standard 2.4 (cavities) and standard 2.7 (spread on external walls) is based on the reach capability of a fire and rescue service ground mounted water jet where there is sufficient pressure and flow in the water main. More detailed guidance on the meaning of external wall cladding system and specified attachment is provided in the guidance to standard 2.7 in section 2: Fire of the Technical Handbooks.

0.8.2 Explanation of terms

There are useful terms and acronyms used in this section included below.

BSI - The British Standards Institution is the UK national standards body. BSI publishes European standards in the UK as BS EN. See <http://www.bsi.org.uk>.

CEN - Comité Européen de Normalisation is the European standards body that prepares harmonised product standards. Declarations of Performance against such standards are expected to provide sufficient information for any member state to allow the product onto their market and for specifiers and users to be able to assess whether the product is suitable for its intended use.

CEN also prepares non-harmonised European standards, such as test or calculation standards and standards for products or services that have not been mandated under a CE Marking Directive.

CEN does not issue standards directly, only through national standards bodies; BSI is the designated standards body for the UK. Further information is available at <http://www.cen.eu/cen>.

EA - The European co-operation on Accreditation is the umbrella organisation for all National Accreditation Bodies in Europe. Product certification bodies, inspection bodies and test laboratories approved by national accreditation bodies belonging to EA are equivalent to those approved by **UKAS**. See <http://www.european-accreditation.org/>.

ETA - European Technical Assessments is a favourable technical assessment issued under the European Construction Products Regulation 2011 that allows a manufacturer to affix CE markings on their products. See <http://www.eota.eu/>.

ISO - International Organization for Standardization is the worldwide federation of national standards institutions. Standards are identified by 'ISO' and a number. **ISO** standards may be published separately or transposed into the UK as BS **ISO** or BS EN **ISO**. See <http://www.iso.org/>.

Materials - include manufactured products such as components, fittings, items of equipment and systems. Naturally occurring materials such as stone, timber and thatch, and backfilling for excavations in connection with building work are also included.

NANDO - New Approach Notified and Designated Organisations is an information system produced by the European Commission. It lists the harmonised European standards and bodies notified by member states to carry out conformity assessment tasks for CE marking. See <http://ec.europa.eu/enterprise/newapproach/nando>.

UKAS - United Kingdom Accreditation Service is the sole national accreditation body recognised by the UK Government to assess against internationally agreed standards, organisations that provide certification, testing, inspection and calibration services. Accreditation by UKAS demonstrates the competence, impartiality and performance capability of these organisations. See <http://www.ukas.com/>.

Verifier - the role of the verifier is to protect the public interest by providing an independent check of applications for building warrant to construct or demolish buildings, to provide services, fittings or equipment in buildings, or to convert buildings. Verifiers are appointed by Scottish Ministers.

0.8.3 Performance

Regulation 8 will be met if the following are satisfied:

- a. materials used in the construction of buildings are of a suitable nature, quality and in relation to the purposes and conditions of their use, and
- b. workmanship is such that, where relevant, materials are adequately mixed or prepared and applied, used or fixed so as to perform suitably the functions for which they are intended.

Materials include:

- a. manufactured products such as components, fittings, items of equipment and systems
- b. naturally occurring materials such as stone, timber and thatch, and
- c. backfilling for excavations in connection with building work.

0.8.4 Materials

Building work must meet the functional requirements of Schedule 5 of the Building (Scotland) Regulations 2004, as amended. The Technical Handbooks refer to materials covered by European harmonised product standards, British Standards, and other technical specifications. However, as there is no obligation to adopt any particular solution contained in the Technical Handbooks in order to meet functional requirements, the references are not exclusive and other materials may be suitable in the particular circumstances.

0.8.5 Ways of establishing the fitness of materials

The fitness and suitability of a material for use for a specific purpose can be assessed in the following number of ways.

- **CE marking under the CPR**

Many materials are construction products that have CE marking under the CPR (305/2011/EU-CPR).

The CPR requires that construction products on the EU market covered by a harmonised European product standard should normally have CE marking. In addition, manufacturers of products not covered by a harmonised standard can choose to affix CE marking to their products by obtaining a European Technical Assessment. You can find a list of the harmonised product standards under the CPR on the NANDO information system see www.ec.europa.eu/enterprise/newapproach/nando/index.cfm?fuseaction=cpd.hs.

CE marking includes the reference of the product standard and levels or classes of performance being declared against some or all of the characteristics covered by the standard. The CE marking should be on the product, its label, the packaging or accompanying documents. The CE symbol by itself does not necessarily indicate that the material is suitable for building work.

In addition to CE marking, the product will have a declaration of performance containing more detailed information on the product. This may be a paper or electronic document, or it may be on a website. It is essential to check that the declared performance is suitable for building work.

In the absence of indications to the contrary, the verifier should assume that the information given in the CE marking and declaration of performance is accurate and reliable, and that the product meets the declared performances.

If the declared performance of a product is suitable for its intended use, the verifier should not prohibit or impede the use of the product.

- **CE marking under other EU Directives and Regulations**

Products may have CE marking under other European legislation, such as the Gas Appliances Directive (2009/142/EC) or the Pressure Equipment Directive (97/23/EC). Such CE marking shows that the product meets the essential requirements set out in the legislation, for example, minimum safety requirements, and can be placed on the EU market.

Some products will have CE marking in accordance with both the CPR and other legislation. The CE marking shows that the product complies with the requirements in all relevant EU legislation.

- **British Standards**

Nearly all British Standards for construction products are the British version of harmonised European Standards used for CE marking. The British Standards Institution (BSI) numbering policy is to adopt the European Committee for Standardisation (CEN) numbering, prefaced with BS e.g. BS EN 197-1: 2000.

Some British Standards are the British version of non-harmonised European standards; these also adopt the CEN numbering, prefaced with BS. These do not contain an Annex ZA, so CE marking cannot be affixed to products made to these standards.

Some British Standards for products not covered by a European standard will continue to exist.

Where a construction product has been made and assessed in accordance with one or more British Standards, this may show whether the product is suitable for its intended use.

- **Other national and international technical specifications**

An international technical specification, including those prepared by the International Organization for Standardization (ISO) <http://www.iso.org/iso/home.html>, or on a national technical specification of a country other than the UK, may be used to demonstrate that a product not covered by a harmonised European standard meets the performance requirements of the Building Regulations.

Where necessary, the 'relevant person' who intends to carry out the work should obtain translations of specifications to demonstrate how the material meets the requirements of regulation 8.

It should be noted that the national technical specifications of other EU Member States (and non-EU countries that are full members of CEN) are being progressively replaced by harmonised European standards, as is the case with British Standards.

- **Independent certification schemes**

There are many independent product certification schemes in the UK and elsewhere which may be a further source of information on product performance. Such schemes certify that a material complies with the requirements of a recognised document and indicates it is suitable for its intended use. These may be in addition to, but not conflict with, CE marking. It should be noted that, materials which are not certified by an independent scheme may still conform to a relevant standard.

Accreditation of a certification body by a national accreditation body belonging to the European co-operation on Accreditation (EA) provides a means of demonstrating that their certification scheme can be relied upon. In the UK, most independent certification bodies are accredited by UK Accreditation Service (UKAS), which belongs to the EA.

It is important to check the scope of the accreditation of certification body, as accreditation may cover only part of the certification body's testing or certification business.

- **Tests and calculations**

Where there is no relevant harmonised European standard, tests, calculation or other means may be used to demonstrate that materials will be capable of performing the function for which they are intended. UKAS or an equivalent national accreditation body belonging to the EA may accredit the testing laboratories. This accreditation provides a means of showing that such tests can be relied on.

- **Past experience**

Past experience, such as in buildings in use may show that materials can perform the function for which they are intended.

0.8.6 Short lived materials

Some materials, in the absence of special care, may be considered unsuitable because of their rapid deterioration in relation to the expected life of the building.

Short-lived materials that are readily accessible for inspection, maintenance and replacement may meet the requirements of the regulations if the consequences of failure are not likely to be serious to the health or safety of persons in and around buildings.

If short-lived materials are not readily accessible for inspection, maintenance and replacement, and the consequences of failure are likely to be serious for health or safety, it is unlikely that the material will meet the requirements of the regulations.

0.8.7 Materials susceptible to change in their properties

The properties of some materials can change in certain environmental conditions. These changes can affect the performance of the materials over time.

Materials that are susceptible to changes in their properties may be used in building work and will meet the requirements of the regulations if the residual properties, including the structural properties:

1. can be estimated at the time of their incorporation in the work, and
2. are shown to be suitable for buildings to perform the function for which they are intended, for the expected life of the building.

0.8.8 Ways of establishing the suitability of workmanship

The term workmanship has been included so that references to methods of establishing workmanship can be included in the Technical Handbooks. For example, where performance depends on the construction being carried out with a crucial standard of workmanship, say in the construction of separating walls in a dwelling, it will prove useful to consider the information provided in British Standard BS 8000.

It is not the intention that verifiers check workmanship generally, certainly not for purely aesthetic matters.

It may be useful to consider the following as ways of establishing the suitability of workmanship:

- **CE marking**

For materials having a CE marking, workmanship may be specified in the relevant ETA or harmonised product standard.

- **Standards**

Methods of carrying out different types of work are also given in British Standards or other appropriate technical specifications. It should be noted that the BS 8000 series of standards on workmanship on building sites combines guidance from other BSI codes and standards. These are:

- **BS EN ISO 9000: 2005** – Quality management systems. Fundamentals and vocabulary.
- **BS EN ISO 9000: 2008** – Quality management systems. Requirements.
- **BS 8000-1: 1989** - Workmanship on building sites. Code of practice for excavation and filling.
- **BS 8000-2-1: 1990 (AMD 9324 1997)** - Workmanship on building sites. Code of practice for concrete work. Mixing and transporting concrete.
- **BS 8000-2-2: 1990** - Workmanship on building sites. Code of practice for concrete work. Sitework with in situ and precast concrete.
- **BS 8000-3: 2001** - Workmanship on building sites. Code of practice for masonry.

- **BS 8000-4: 1989** - Workmanship on building sites. Code of practice for waterproofing.
- **BS 8000-5: 1990** - Workmanship on building sites. Code of practice for carpentry, joinery and general fixings.
- **BS 8000-6: 1990** - Workmanship on building sites. Code of practice for slating and tiling of roofs and claddings.
- **BS 8000-7: 1990** - Workmanship on building sites. Code of practice for glazing.
- **BS 8000-8: 1994** - Workmanship on building sites. Code of practice for plasterboard partitions and dry linings.
- **BS 8000-9: 2003** - Workmanship on building sites. Cementitious levelling screeds and wearing screeds. Code of practice.
- **BS 8000-11: 2011** - Workmanship on building sites – Internal and external wall and floor tiling. Ceramic and agglomerated stone tiles, natural stone and terrazzo tiles and slabs, and mosaics. Code of practice.
- **BS 8000-12: 1989** - Workmanship on building sites. Code of practice for decorative wall coverings and painting.
- **BS 8000-13: 1989** - Workmanship on building sites. Code of practice for above ground drainage and sanitary appliances.
- **BS 8000-14: 1989** - Workmanship on building sites. Code of practice for below ground drainage.
- **BS 8000-15: 1990** - Workmanship on building sites. Code of practice for hot and cold water services (domestic scale).
- **BS 8000-16: 1997 (A1: 2010)** - Workmanship on building sites. Code of practice for sealing joints in buildings using sealants.

- **Independent certification schemes**

Some independent certification schemes specify how workmanship will deliver a declared level of performance. The relevant person carrying out the work should show that the workmanship will provide the appropriate level of protection and performance.

Schemes, including “Certification of design” and “Certification of constructions” that register installers of materials can provide a means of ensuring that work has been carried out by knowledgeable contractors to appropriate standards. See 0.8.9 Certification.

- **Management systems**

The quality of workmanship is covered by a quality management scheme, such as one that complies with the relevant recommendations of BS EN ISO 9000, and related series of standards. There are a number of such UKAS accredited schemes.

- **Past experience**

Past experience, such as in a building in use, may show that the method of workmanship is capable of performing the function for which it is intended.

- **Tests**

Tests can be used to show that workmanship is appropriate for compliance with building regulations.

Those carrying out building work may voluntarily include testing to demonstrate that the work complies with the requirements of the building regulations.

Verifiers may request a 'materials test' under Section 41 (2) of the Building (Scotland) Act 2003 if they consider it necessary, to establish whether building work and materials comply with the requirements of regulations 8 and 9 of the Building (Scotland) Regulations 2004, as amended.

0.8.9 Certification

Scottish Ministers can, under Section 7 of the Building (Scotland) Act 2003, approve schemes for the certification of design or construction for compliance with the mandatory functional standards. See 0.1.10 for works that can be Certified.

0.9 Building standards applicable to construction

Regulation 9

(1) Subject to paragraph (2), construction shall be carried out so that the work complies with the applicable requirements of schedule 5.

(2) Only the requirements of the standards set out in paragraphs 1.1, 3.17, 3.18, 3.19, 3.20, 3.21, 3.22 and 4.4 of schedule 5 apply in the case of the construction of a building of a type described in paragraph 23A of schedule 3.

0.9.1 Explanation

Regulation 9 and schedule 5 are the heart of the building standards system as they set out what must be achieved in building work. The standards are given in full along with the associated guidance on compliance in sections 1 – 7 of the Technical Handbooks. Sections 1 - 7 relate directly to the basic works requirements, as published by the EC, which buildings and works are expected to satisfy when they have been properly designed and built.

The seven sections are:

Section 1 Structure (EC - Mechanical resistance and stability)

Section 2 Fire (EC - Safety in case of fire)

Section 3 Environment (EC - Hygiene, health and the environment)

Section 4 Safety (EC - Safety and accessibility in use)

Section 5 Noise (EC - Protection against noise)

Section 6 Energy (EC - Energy, economy and heat retention)

Section 7 Sustainability (EC - Sustainable use of natural resources)

The basic work requirements are also subject to overall requirements related to durability, which are covered in regulation 8.

The guidance on suitable provision to meet the building regulation standards is given without assurance that any other legislative or administrative requirement might apply more onerous standards.

In considering which standards apply, where more than one is relevant to any building work all the standards should be met.

0.9.2 Schedule 5

The mandatory standards in schedule 5 are given in the seven sections of this Handbook (Structure, Fire safety, Environment, Safety, Noise, Energy and Sustainability) and are therefore not repeated here.

0.10 Building standards applicable to demolition

Regulation 10

1. **Every building to be demolished must be demolished in such a way that all service connections to the building are properly closed off and any neighbouring building is left stable and watertight.**
2. **When demolition work has been completed, and where no further work is to commence immediately, the person who carried out that work shall ensure that the site is:**
 - a. **immediately graded and cleared, or**
 - b. **provided with such fences, protective barriers or hoardings as will prevent access thereto.**

0.10.1 Explanation

Regulation 10 sets out the mandatory requirements when undertaking demolition work.

The building regulations do not control the method or process of demolition. This is the responsibility of the Health and Safety Executive and is covered under other legislation.

What the building regulations do seek to control is the area which is left after demolition has been completed, and the state of any surrounding buildings affected by the demolition. Any adjacent buildings must be left safe and watertight and all service connections must be properly sealed. Unless it is intended to build on the cleared site without delay, it must be left in a safe condition. This might be achieved by site clearance and grading, or by ensuring adequate perimeter enclosures.

0.11 Building standards applicable to the provision of services, fittings and equipment

Regulation 11

Every service, fitting or piece of equipment provided so as to serve a purpose of these regulations shall be so provided in such a way as to further those purposes.

0.11.1 Explanation

Regulation 11 requires that every service, fitting or piece of equipment provided so as to serve a purpose of the regulations should be designed, installed, and commissioned in such a way as to fulfil those purposes.

0.12 Building standards applicable to conversions

Regulation 12

Conversions shall be carried out so that the building as converted complies with the applicable requirements of schedule 6.

0.12.1 Explanation

Certain changes of use or occupation were defined as conversions in schedule 2 and are therefore subject to the building regulations. Regulation 12 requires that in these cases the building shall meet the requirements of schedule 6. However it is recognised that this is not reasonably practicable in many existing buildings. Therefore the schedule also lists those standards where a lower level of provision may well be sufficient. It is essential to establish with the verifier where meeting the standards in full is not reasonably practicable, and early discussion will be necessary. The individual sections of the Handbooks give further details.

For historic buildings, the classification of the building should influence the extent to which improvement is required, depending on whether the classification is for the outside, the inside, all parts, etc.

0.12.2 Schedule 6

Every conversion, to which these regulations apply, shall meet the requirements of the following standards in schedule 5:

- a. Standards 2.1, 2.3, 2.5, 2.9, 2.10, 2.11, 2.13, 2.14, 2.15 in Section 2, Fire
- b. Standards 3.5, 3.6, 3.7, 3.8, 3.9, 3.11, 3.12, 3.13, 3.14, 3.17, 3.18, 3.20, 3.21, 3.22, 3.23, 3.24, 3.25, 3.26, 3.27 in Section 3, Environment
- c. Standards 4.5, 4.6, 4.7, 4.9, 4.11, 4.12, 4.13 in Section 4, Safety
- d. Standards 5.1 and 5.2 in Section 5, Noise, and

e. Standards 6.7, 6.8, 6.10 in Section 6, Energy.

Every conversion, to which these regulations apply, shall meet the requirements of the following standards in schedule 5 in so far as is reasonably practicable, and in no case be worse than before the conversion:

a. the standards in Section 1, Structure

b. Standards 2.2, 2.4, 2.6, 2.7, 2.8, 2.12 in Section 2, Fire

c. Standards 3.1, 3.2, 3.3, 3.4, 3.10, 3.15, 3.16, 3.19 in Section 3, Environment

d. Standards 4.1, 4.2, 4.3, 4.4, 4.8, 4.10 in Section 4, Safety, and

e. Standards 6.2, 6.3, 6.4, 6.5, 6.6 in Section 6, Energy.

Note: Standard 7.1 (Sustainability) does not apply to conversions.

0.13 Provision of protective works

Regulation 13

1. **No person shall carry out work unless the following provisions of this regulation are complied with.**
2. **Subject to paragraph (3), where work is to be carried out on any building site or building which is within 3.6m of any part of a road or other place to which members of the public have access (whether or not on payment of a fee or charge) there shall, prior to commencement of the work, be erected protective works so as to separate the building site or building or that part of the building site or building on which work is to be carried out from that road or other place.**
3. **Nothing in paragraph (2) shall require the provision of protective works in any case where the local authority is satisfied that no danger to the public is caused, or is likely to be caused, by the work.**
4. **The protective works referred to in the preceding paragraphs are all or any of:**
 - a. **providing hoardings, barriers or fences**
 - b. **subject to paragraph (5), where necessary to prevent danger, providing footpaths outside such hoardings, barriers or fences with safe and convenient platforms, handrails, steps or ramps, and substantial overhead coverings**
 - c. **any other protective works which in the opinion of the local authority are necessary to ensure the safety of the public, all of such description, material and dimensions and in such position as the local authority may direct.**
5. **Nothing in paragraph (4)(b) shall require the provision of a platform, handrail, step or ramp:**
 - a. **where no part of the existing footpath is occupied by the protective works or in connection with the work, or**
 - b. **where that part of an existing footpath remaining unoccupied affords a safe means of passage for people, and is of a width of not less than 1.2m or such greater width as the local authority may direct.**

6. Any protective works shall be so erected as to cause no danger to the public and shall be maintained to the satisfaction of the local authority.
7. Subject to paragraph (8), any protective works shall be removed:
 - a. in the case of a building which has been constructed by virtue of a warrant, not more than 14 days or such longer period as the local authority may direct from the date of acceptance of the certificate of completion, and
 - b. in any other case, on completion of the work.
8. Nothing in paragraphs (1) to (7) of this regulation shall prohibit the removal of the protective works or any part thereof prior to the completion of the work where the local authority is satisfied that no danger to the public is caused or is likely to be caused as a result of their removal.
9. Any protective works shall be illuminated, and any such works which project on to or over that part of a road which is not a pavement or footpath shall be provided with such markings, as in the opinion of the local authority are necessary to secure the safety of the public.
10. Where work has been carried out without the provision of protective works, or where work on a building site has stopped or a building site has been abandoned, a local authority may require the site owner to carry out protective works.

0.13.1 Explanation

Regulation 13 requires that building sites are fenced off in such a way as to protect the public. It also provides powers to deal with building sites where work has for any reason ceased and the Health and Safety at Work etc. Act provisions are no longer applicable.

0.14 Clearing of footpaths

Regulation 14

Where any work is being carried out on a building site or building, any neighbouring footpath (including any footpath provided so as to form part of the protective works) shall be regularly cleaned and kept free of building debris and related materials by the person carrying out the work, to the satisfaction of the local authority.

0.14.1 Explanation

Regulation 14 requires the keeping free from mud or dust footpaths adjacent to building sites.

0.15 Securing of unoccupied and partially completed buildings

Regulation 15

1. Subject to paragraph (2) a person carrying on work shall ensure that any building which is partly constructed or partly demolished or which has been completed but not yet occupied is, so far as reasonably practicable, properly secured or closed against unauthorised entry at all times when work thereon is not in progress.
2. Nothing in paragraph (1) shall apply to any work where the local authority is satisfied that adequate supervision of the building is being or will be maintained for the purpose of securing the building.

0.15.1 Explanation

Regulation 15 requires that all building sites where there are unfinished or partially complete works are kept safe and secure.

0.16 Relaxations

Regulation 16

No direction may be given under section 3(2) of the Act in relation to regulations 1 to 3, 5 and 7.

0.16.1 Explanation

Regulation 16 sets out the regulations that cannot be relaxed.

0.17 Continuing Requirements

Regulation 17

1. **Subject to paragraph (2), the owners of buildings shall ensure that:**
 - a. **every air-conditioning system within a building is inspected at regular intervals, and**
 - b. **following each inspection of that system the owner of the building or, where the owner is not the occupier, the occupier is given a report containing the result of the inspection and including recommendations for the cost-effective improvement of the energy performance of that system.**
2. **This regulation shall not apply to:**
 - a. **air-conditioning systems with a total effective output rating of less than 12kW, or**
 - b. **air-conditioning systems solely for processes within a building.**
3. **In terms of section 2 of the Building (Scotland) Act 2003 the provisions of paragraph (1) are a designated provision in respect of which there is a continuing requirement imposed on the owners of buildings.**

0.17.1 Explanation

Regulation 17 requires the owners of an air-conditioned building to have such plant regularly inspected and to provide advice to the users of the building on related energy efficiency improvement work and how to operate the system efficiently. This regulation implements the terms of Articles 15 & 16 of Directive 2010/31/EU on the Energy Performance of Buildings (EPBD).

Scope - the regulation relates only to larger, fixed air-conditioning systems and does not cover portable systems. It also relates to comfort cooling of people in a building but does not cover any other system, such as cooling solely used in a manufacturing, trade or mechanical process. For example, a system only cooling computer equipment would be exempt.

The efficiency of the system should be assessed and the sizing compared to the cooling requirements of the building and appropriate advice given to the users of the building on possible improvement or replacement of the system and on alternative solutions.

0.17.2 Implementation

Continuing requirement - the regulation imposes a continuing requirement that means inspections are required not only throughout the life of a new building, but also for the life of an existing building, for as long as it has an air-conditioning system. The requirement to inspect systems in existing buildings was introduced in stages, starting with first inspection of larger systems over 250kW by 4 January 2011, followed by first inspection of all remaining systems over 12kW by 4 January 2013.

0.17.3 Procedures to be followed

CIBSE Technical Memorandum 44 (TM44) 'Inspection of air conditioning systems' provides guidance on the regular inspection and assessment of air-conditioning systems and on the provision of advice and alternative solutions.

Inspection frequency - for completely new air-conditioning systems, one way of meeting paragraph 1(a) of this regulation would be to make arrangements at completion for the first inspection. This should be carried out by an accredited expert no later than 5 years after the acceptance of the completion of commissioning of the system to Standard 6.7.

For existing systems over 12kW, one way of meeting paragraph 1(a) of this regulation would be to make arrangements for an inspection to be carried out by an accredited expert.

In all cases, the accredited expert doing the inspection has the discretion to set the frequency of inspections ranging from three years for poorly maintained and inefficient systems up to five years for those systems that are well maintained and demonstrate excellent levels of efficiency. In order to ensure compliance with the continuing requirement, the subsequent inspection should be carried out within the intervening time period.

The following issues should be considered in setting an inspection of systems more frequently than five years:

- a. inefficiency of system
- b. significantly oversized in relation to the cooling requirements
- c. evidence that the design is not fit for purpose
- d. evidence of poor installation
- e. evidence of lack of maintenance
- f. control system out of adjustment
- g. age of system.

Size of systems - a number of individual systems each 12kW or less, but taken together totalling more than 12kW, within one building or fire-separated part of a building, would only qualify for inspection if they are linked by way of a central control.

New buildings - for new buildings, commissioning of building services including air-conditioning systems and the provision of written information shall be in accordance with Standards 6.7 and 6.8 respectively and guidance to these standards is provided in the Domestic and Non-domestic Technical Handbooks.

Accredited experts - inspections of existing air-conditioning systems should be carried out by accredited experts who are members of protocol organisations who are approved by Scottish Government to carry out such inspections.

Information on current protocol organisations can be found on the Building Standards Division web pages at www.scotland.gov.uk/epc

0.17.4 Provision of information to owners and occupiers

Following inspection of a system, the inspection report shall be issued by the member of the protocol organisation to the owner of the building. The inspection report shall contain the result of the inspection and include recommendations for the cost-effective improvement of the energy performance of the inspected system.

Where the owner of the building is not also the occupier, the owner should provide a copy of the report to the occupier.

0.17.5 Other legislative requirements

This guidance relates solely to duties imposed under Articles 15 & 16 of the Directive 2010/31/EU <http://eur-lex.europa.eu/LexUriServ/LexUriServ.do?uri=OJ:L:2010:153:0013:0035:EN:PDF> on the Energy Performance of buildings. There are other separate legislative requirements for the inspection of air conditioning systems such as the F-Gas Regulations which are not dealt with in building regulations. However from an operational point of view, building owners should give consideration to the economic benefits of combining such inspections where appropriate.

Structure

1.0 Introduction

1.0.1 Background

The structure of a building is fundamental to ensuring the safety of people in or around new and existing buildings and can be affected by a number of factors inside and outside the building including environmental factors. These factors should be considered to prevent the collapse, excessive deformation or the disproportionate collapse of buildings.

The climatic conditions in Scotland including temperature, snow, wind, driving rain and flooding and the impact of climate change should be carefully considered in the assessment of loadings (actions) and in the structural design of buildings.

The Standing Committee on Structural Safety (SCOSS) is an independent body supported by the Institution of Civil Engineers, the Institution of Structural Engineers and the Health and Safety Executive to maintain a continuing review of building and civil engineering matters affecting the safety of structures. The prime function of SCOSS is to identify in advance those trends and developments that might contribute to an increasing risk to structural safety. The collation and dissemination of information relating to matters of structural concern is a vital element of achieving safe structures. SCOSS has established a UK wide confidential reporting system (CROSS) to gather data on structural problems.

Appraisal of existing buildings - conversions to existing buildings present particular problems and an appraisal of the existing structure for its new occupation or use should be undertaken to ensure that appropriate measures are taken to meet the requirements of regulation 12. Guidance on how a structural appraisal may be undertaken is given in 'Appraisal of Existing Structures', 1996 published by the Institution of Structural Engineers.

Procurement - the contractual arrangements used by clients to procure a building can have important consequences for the reliability of the design and the adequacy of the construction. Frequently, building design procurement will involve the appointment of a number of designers who may be employed by more than one organisation. Detailed design of individual structural details and components can be passed to specialist contractors. In these circumstances the client should appoint a lead designer or other appropriately experienced and qualified person to oversee the design process.

1.0.2 Aims

The intention of this section is to ensure that the structure of a building shall be designed and executed in such a way that, during its intended life, it will not pose a threat to the safety of people in and around the building with an appropriate degree of reliability. To achieve a structure with adequate structural resistance, serviceability and durability the following should be taken into account:

- a. the loadings (actions) on the building
- b. nature of the ground
- c. collapse or deformations
- d. stability of the building and other buildings
- e. climatic conditions

- f. materials
- g. structural analysis, and
- h. details of construction.

The actions on the building will comprise a set of loads applied directly to the structure that will include dynamic, concentrated and peak load effects, together with a set of imposed deformations caused for example by temperature changes or uneven settlement.

1.0.3 Latest changes

The following is a summary of the changes made to this section since 1 May 2009.

1.0.1 reference to SCOSS updated

1.0.1 guidance for clients on procurement added

1.0.2 aims re-written to reflect Structural Eurocodes

1.0.4 guidance on relevant legislation added for CDM regulations

1.0.5 guidance on alternative approaches added including the use of withdrawn British Standards

1.0.7 clause on certification introduced

1.1.1 reference to guidance on fixings and stone masonry added

1.1.2 reference to Structural Eurocodes added for loadings

1.1.3 reference to Structural Eurocodes added for design and construction

1.1.4 reference to BS EN 1997-2:2007 added for geotechnical investigation of the site

1.1.5 reference to BS EN 1997-1:2004 added for design of foundations adjacent to existing buildings

1.2.1 guidance in relation to disproportionate collapse updated to align with Structural Eurocodes, and

1.A. Annex A - list of structural Eurocodes and corresponding British Standards to be withdrawn added.

The previous annexes forming the Small Buildings Structural Guidance (SBSG) have been removed from the Technical Handbook and are now referenced in clause 1.0.5.

Minor alterations and corrections have also been made. A full list of changes to this edition of the Technical Handbooks is available on the Building Standards website.

1.0.4 Relevant legislation

The Construction (Design and Management) Regulations 2007 are intended to protect people working in construction and others who may be affected by their activities. The regulations require the systematic management of projects from concept to completion and throughout the life cycle of the structure, including eventual demolition. Clients have a duty to ensure that competent people are employed to do the work, that sufficient time is allocated for the work to be undertaken and that the various members of the design and construction teams co-operate and exchange information.

1.0.5 Alternative approaches

Where alternative approaches to the structural design are proposed other than using the guidance contained in this section, the structural design should take account of all of the factors identified in clause 1.0.2 above. For example, care should be taken where alternative numerical values are placed on factors of safety as this may have a detrimental effect on the overall stability of the structure.

The British Standards Institution (BSI) agreement with the European Committee for Standardisation (CEN) obliges it to withdraw UK national standards after a harmonised European Standard with the same scope and field of application has been produced. Withdrawal of a standard implies that while documents will still be available there will be no support or five-year review by a BSI committee to consider the currency of the standard and to decide whether it should be confirmed, revised or withdrawn. BSI, in line with this commitment, will be 31 March 2010 replace the British Standards relating to loading and structural design with the European Standards and associated National Annexes listed in Sections 1.1.2 and 1.1.3 of this guidance.

Whilst other guidance documents or international standards, including withdrawn national standards might be used in alternative approaches to satisfy building regulations, designers, verifiers, or in the case of certified projects, the approved certifiers of design (building structures) will need to satisfy themselves that the use of such guidance is appropriate for a specific project. Care should be exercised, particularly with withdrawn standards, in relation to wind and snow loadings (actions) where the effects of climate change may render these unsafe.

Where alternative approaches use design methods or codes other than those listed in this guidance then these must be used within the context of the assumptions set out in Section 1.1.3. Designs must be checked in order to deliver similar levels of design reliability.

The Small Buildings Structural Guidance (SBSG) provides structural guidance to designers of small domestic buildings on how to comply with Standard 1.1. The guidance was published in Section 1 (Annexes 1.A to 1.F) of the Technical Handbooks in May 2005 (updated in 2007) and based on British Standards which have now been withdrawn. The SBSG, together with research on the impact of the Structural Eurocodes on masonry construction, is available on the Building Standards Division website <http://www.scotland.gov.uk/Topics/Built-Environment/Building/Building-standards>. The SBSG has been written for those with expertise in building design and construction but not necessarily in structural engineering design. Where the conditions or parameters fall outside the scope of the guidance, then specialist advice should be sought from approved certifiers of design, chartered engineers or other appropriately qualified persons.

1.0.6 Annex

A list of structural Eurocodes and corresponding British Standards to be withdrawn is contained in Annex 1A.

1.0.7 Certification

Scottish Ministers can, under Section 7 of the Building (Scotland) Act 2003, approve schemes for the certification of design or construction for compliance with the mandatory functional standards. Such schemes are approved on the basis that the procedures adopted by the scheme will take account of the need to co-ordinate the work of various designers and specialist contractors. Individuals approved to provide certification services under the scheme are assessed to ensure that they have the qualifications, skills and experience required to certify compliance for the work covered by the scope of the scheme. Checking procedures adopted by Approved Certifiers will deliver design or installation reliability in accordance with legislation.

The Certification of Design (Building Structures) scheme has been approved by Scottish Ministers to confirm compliance with Standards 1.1 and 1.2. Details are available on the Building Standards Division website <http://www.scotland.gov.uk/Topics/Built-Environment/Building/Building-standards>.

1.1 Structure

Mandatory Standard

Standard 1.1

Every building must be designed and constructed in such a way that the loadings that are liable to act on it, taking into account the nature of the ground, will not lead to:

- a. **the collapse of the whole or part of the building**
- b. **deformations which would make the building unfit for its intended use, unsafe, or cause damage to other parts of the building or to fittings or to installed equipment, or**
- c. **impairment of the stability of any part of another building.**

1.1.0 Introduction

The loadings on the building will comprise actions that may be applied both separately and in various combinations.

The stability of a building and other existing buildings in the vicinity can be affected by ground conditions which should be investigated and assessed to ensure that the ground can safely support the building.

The collapse of the whole or part of a building is clearly a matter of the highest importance with respect to public safety. The design and construction of buildings should take into account all contributing factors such as loadings, climatic conditions, partial safety factors for materials and loadings, and design methodology to ensure that there is an acceptable probability that the building will not collapse (ultimate limit state) during its design lifetime.

Similarly deformations of buildings while not leading to an ultimate collapse can lead to public safety concerns particularly where they become unfit or unsafe for use. This can become apparent in several ways ranging from cracking, movement or springiness of floors, doors or windows not opening or closing, damage to pipes and other services within the building. The design and construction of a building should ensure that, by taking into account the factors set out above, the building does not fail in normal use (serviceability limit state).

The stability of existing **buildings** can be affected if the design and construction of a new building does not take into account any potential impacts on existing buildings. This could lead to a risk of collapse or damage to existing buildings with a consequent risk to public safety.

Conversions - in the case of conversions, as specified in regulation 4, the building as converted shall meet the requirements of this standard in so far as is reasonably

practicable, and in no case be worse than before the conversion (regulation 12, schedule 6).

1.1.1 General

In order to be safe, a building should be capable of resisting all loads acting on it as a result of its intended use and geographical location. To achieve this, the structure of a building should be designed with margins of safety to ensure that the mandatory functional standard has been met.

In clause (b) of Standard 1.1 deformations are not intended to cover aesthetic damage such as shrinkage and other minor cracking.

Specialist advice from approved certifiers of design, chartered engineers or other appropriately qualified persons should be sought if the designer is in any doubt about the loads acting on a building or how these loads can be accommodated by the structure and safely transmitted to the ground.

Fixings - the SCOSS committee has expressed concern that safety critical fixings do not always receive the attention that they deserve. Fixings are important structural components. Designers must be satisfied that fixings receive the same consideration as other aspects of the design in terms of their selection, design, installation, inspection and testing. A SCOSS ALERT "The Selection and Installation of Construction Fixings" has been issued and can be found on the SCOSS website <http://www.cross-structural-safety.org>.

Stone Masonry - the Scottish Stone Liaison Group publication 'natural stone masonry in modern Scottish construction' provides guidance in the use of natural stone in new construction. Guidance includes information on stone and mortar selection, soiling of facades and design details for structures and moisture control <http://www.scotland.gov.uk/Topics/Built-Environment/Building/Building-standards>.

1.1.2 Loading

Any reference to European Standards for Structure (Structural Eurocodes) in this section must be taken to include reference to the relevant UK National Annex.

The loadings to which a building will be subjected should be calculated in accordance with the appropriate Structural Eurocodes:

- a. for densities, self-weight and imposed loadings, BS EN 1991-1-1: 2002 (Eurocode 1)
- b. for snow loadings, BS EN 1991-1-3:2003 (Eurocode 1)
- c. for wind loadings, BS EN 1991-1-4:2005 (Eurocode 1)
- d. for earth retaining structures, BS EN 1997-1:2004 (Eurocode 7)
- e. any greater loadings to which the building is likely to be subjected.

1.1.3 Design and construction

Any reference to European Standards for Structure (Structural Eurocodes) in this section must be taken to include reference to the relevant UK National Annex.

The structural design and construction of a building should be carried out in accordance with the following Structural Eurocodes:

- a. for foundations, BS EN 1997-1:2004 (Eurocode 7)
- b. for structural work of reinforced, pre-stressed or plain concrete, BS EN 1992-1-1:2004 (Eurocode 2)
- c. for structural work of steel, BS EN 1993-1-1:2005 (Eurocode 3)
- d. for structural work of cold form, thin gauge steel members and sheeting BS EN 1993-1-3:2006 (Eurocode 3)
- e. for structural work of composite steel and concrete construction, BS EN 1994-1-1:2004 (Eurocode 4)
- f. for structural work of aluminium, BS EN 1999-1-1:2007 (Eurocode 9)
- g. for structural work of masonry, BS EN 1996-1-1:2005 or BS EN 1996-3:2006 Simplified calculation rules for masonry structures (Eurocode 6)
- h. for structural work of timber, BS EN 1995-1-1:2004 (Eurocode 5) or in the case of floors and roofs to domestic buildings of not more than three storeys BS 8103 Part 3 - 2009
- i. for earth retaining structures BS EN 1997-1:2004 (Eurocode 7).

The reliability of designs carried out in accordance with these codes is based on a number of assumptions set out in BS EN 1990:2002 that include:

- the choice of the structural system and the design of the structure is made by appropriately qualified and experienced personnel
- the design and construction is carried out by personnel having the appropriate skill and experience
- adequate supervision and quality control is provided during execution of the work
- the construction materials and products are used as specified in BS EN 1990 or in BS EN 1991 to BS EN 1999 or in the relevant execution standards, or reference material or product specifications
- the structure will be adequately maintained, and
- the structure will be used in accordance with the design assumptions.

Those responsible for procuring the design and construction of buildings based on Structural Eurocodes should be aware of these assumptions and should ensure that they have employed individuals with the necessary qualifications, skills and experience and that appropriate procedures for checking designs have been adopted.

1.1.4 Nature of the ground

The foundations of buildings should be designed to sustain and transmit the loadings to the ground in such a manner that there will be no ground movement which will impair the stability of the building. All aspects of the nature of the ground should be taken into consideration including ground movement caused by:

- swelling, shrinkage or freezing of the subsoil, or
- landslip, or
- subsidence such as that arising from the collapse of abandoned mineral workings or quarrying operations.

There may be known or recorded conditions of ground instability, such as that arising from landslides, disused mines or unstable strata which, if ignored, could have an adverse effect on a building. Such conditions should be taken into account in the design and construction of the building and its foundations.

Attention is drawn to Planning Policy Guidance Note 14 (PPG 14) Development on unstable land. [<http://www.communities.gov.uk>] Although PPG 14 contains specific reference to England & Wales, it does set out the broad planning and technical issues relating to development on unstable land.

Information on the scale and nature of problems arising from mining instability, natural underground cavities and adverse foundation conditions is available from the following:

- British Geological Survey, Murchison House, West Mains Road, Edinburgh, EH9 3LA <http://www.bgs.ac.uk>
- The Coal Authority, 200 Lichfield Lane, Mansfield, Nottinghamshire, NG18 4RG <http://www.coalminingreports.co.uk>

Information can also be obtained from local authorities that hold Building Standards Registers and other relevant records.

Where new foundations are to be constructed or existing foundations altered it will generally be necessary to undertake a geotechnical investigation of the site. This should be carried out using the methods described in BS EN 1997-2: 2007.

1.1.5 Stability of existing buildings

The stability of existing buildings may be affected by a new building located in their vicinity. Care must be taken to avoid undermining the foundations or otherwise affect the stability of existing buildings. The design of foundations adjacent to existing buildings should be carried out in accordance with the recommendations of BS EN 1997-1:2004.

Factors that can also affect the stability of an existing building and should be taken into account include:

- additional or new loads arising from the construction of the new building
- increased or new wind loads arising from the construction of the new building
- pressure bulb extending below existing building
- changes in groundwater level
- loss of fines during pumping operations or climatic conditions.

1.2 Disproportionate Collapse

Mandatory Standard

Standard 1.2

Every building must be designed and constructed in such a way that in the event of damage occurring to any part of the structure of the building the extent of any resultant collapse will not be disproportionate to the original cause.

1.2.0 Introduction

All buildings must be designed to accommodate unforeseen or accidental actions in such a way as to prevent the extent of any resulting collapse being disproportionate to the cause of the collapse. Buildings should be designed so that they are robust which is defined in BS EN-1991-1-7:2006 as the ability of a structure to withstand events like fire, explosions, impact or the consequences of human error without being damaged to an extent disproportionate to the original cause.

Explanation of terms

Nominal length of load-bearing wall construction should be taken as:

- in the case of a reinforced concrete wall, the distance between lateral supports subject to a length not more than 2.25 x storey height
- in the case of an external masonry wall, or timber or steel stud wall, the length measured between vertical lateral supports
- in the case of an internal masonry wall, or timber or steel stud wall, a length not more than 2.25 x storey height.

Storey height is the distance from the underside of one floor to the underside of the floor immediately above.

Key element is a structural member upon which the stability of the remainder of the structure depends and should be capable of sustaining an accidental design loading of 34kN/m^2 applied in the horizontal and vertical directions (in one direction at a time) to the member and any attached components such as cladding, having regard to the ultimate strength of such components and their connections. Such accidental design loading should be assumed to act simultaneously with 1/3rd of all normal characteristic loading.

Load bearing wall construction includes masonry cross-wall construction and walls comprising close centred timber or lightweight steel section studs.

Fire - the protection to be afforded to the structure of a building when it is exposed to the action of fire is dealt with by mandatory Standard 2.3. The guidance within Section 2 refers to relevant codes that should be used for the design of the structure in a fire.

Conversions - in the case of conversions, as specified in regulation 4, the building as converted shall meet the requirements of this standard in so far as is reasonably practicable, and in no case be worse than before the conversion (regulation 12, schedule 6).

1.2.1 Disproportionate collapse

A building which is susceptible to disproportionate collapse is one where the effects of accidents and, in particular, situations where damage to small areas of a structure or failure of single elements could lead to collapse of major parts of the structure.

Buildings should be provided with a level of robustness by adopting the principles of risk analysis, categorising buildings, taking into account both the risk of the hazard and its consequences and providing additional measures commensurate to the level of risk and consequences of such collapse of the building. The risk level and accidental actions that should be considered when undertaking the structural design of a building for disproportionate collapse should be in accordance with the recommendations of BS EN 1991-1-7:2006 or the method set out below.

Any reference to European Standards for Structure (Structural Eurocodes) in this section must be taken to include the relevant UK National Annex.

To ensure that buildings are designed and constructed to sustain a limited extent of damage or failure without a disproportionate level of collapse from an unspecified cause, the following procedure should be followed:

- determine building risk group
- assess additional measures
- design and construct additional measures.

1.2.2 Determine building risk group

The issues to be considered with respect to assessing the risk group of a building are its occupancy level, use, the number of storeys and floor areas.

The risk of an extreme event such as an explosion or other incident occurring would not be decreased simply by providing these measures and there is no certainty that demolition or building alteration would be carried out in accordance with good practice but the consequences of such an incident occurring would be considerably reduced.

Table 1.1 Determine building risk group

Risk Group	Building Type
1	Houses not more than 4 storeys
	Carports, Conservatories and Greenhouses
	Domestic garages and other small single leaf buildings not more than 1 storey
2A	5 storey houses
	Flats and maisonettes not more than 4 storeys
2B	Flats and maisonettes more than 4 storeys but not more than 15 storeys
3	Every domestic building not covered in Risk Groups 1, 2A and 2B

The nomenclature of the Risk Groups 1, 2A, 2B and 3 are synonymous with the consequence classes in Table A.1 – Categorisation of consequence classes of BS EN 1991-1-7:2006.

In determining the number of storeys in a building, basement storeys may be excluded provided such basement storeys fulfil the robustness of Risk Group 2B buildings.

For buildings intended for more than one type of use the Risk Group should be that pertaining to the most onerous Risk Group.

1.2.3 Assess additional measures

The additional measures which should be provided vary extensively according to building type and use and the actual measures should be designed in accordance with the relevant sections of the design codes. For example, high rise hotels or flats or assembly buildings or grandstands require a different level of robustness than low rise buildings or storage buildings.

The additional measures which should be applied to buildings of the risk groups derived from the above table are set out below:

Risk Group 1 buildings - no additional measures are likely to be necessary when the building has been designed and constructed in accordance with the rules given in this

Technical Handbook, or other guidance referenced under Section 1, for complying with Standard 1.1 in normal use.

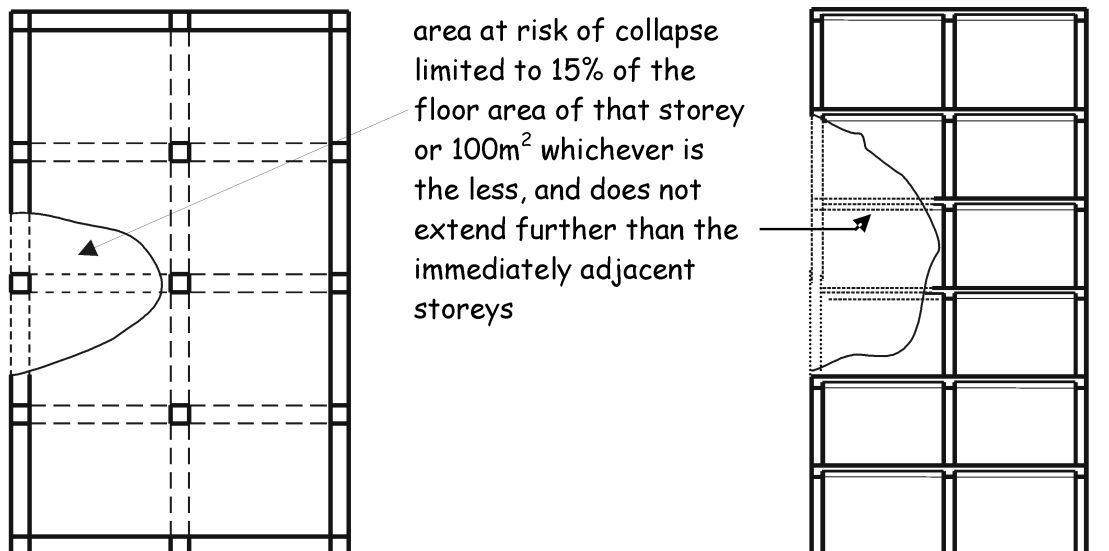
Risk Group 2A buildings - provide effective horizontal ties, or effective anchorage of suspended floors to walls, for framed and load-bearing wall construction.

Risk Group 2B buildings - provide effective horizontal ties for framed and load-bearing wall construction, together with effective vertical ties, in all supporting columns and walls.

Alternatively, check that upon the notional removal of each supporting column and each beam supporting one or more columns, or any nominal length of load-bearing wall (one at a time in each storey of the building) the building should remain stable and that the area of floor at any storey at risk of collapse should be not more than 15% of the floor area of that storey or 100m², whichever is the less and does not extend further than the immediate adjacent storeys (see diagram below).

Where the notional removal of such columns and lengths of walls would result in an extent of damage in excess of the above limit, then such elements should be designed as 'key elements'.

Figure 1.1 Floor collapse limit



Risk Group 3 buildings - a systematic risk assessment of the building should be carried out, taking into account all the normal hazards that can be foreseen as far as possible together with any abnormal hazards.

Critical situations for design should be selected that reflect the conditions that can be foreseen as far as possible during the life of the building.

The structural form and concept and any protective measures should then be chosen and the detailed design of the structure and its elements undertaken in accordance with the recommendations in the codes and standards in clause 1.2.4.

1.2.4 Design and construct additional measures

The structural design and construction to take account of the additional measures including horizontal and vertical ties where appropriate and checking the integrity of the building following the notional removal of vertical members and the design of key elements, should be carried out in accordance with the design recommendations contained in Annex A of BS EN 1991-1-7:2006.

1.2.5 Other sources of guidance

More detailed information has been produced by organisations on disproportionate collapse as follows:

- a. Technical Guidance Note 'The Building Regulations 2004 Edition – England and Wales Requirement A3 – Disproportionate Collapse', National House Building Council (NHBC)
- b. Technical Bulletin Number 3 'Design Guidance for Disproportionate Collapse', UK Timber Frame Association
- c. 'Masonry Design for Disproportionate Collapse Requirements under Regulation A3 of the Building Regulations (England & Wales)', Brick Development Association
- d. 'Guidance on meeting the Robustness Requirements in Approved Document A', Steel Construction Institute
- e. 'How to design concrete buildings to satisfy disproportionate collapse requirements' <http://www.concretecentre.com/>

The above guidance is based on England & Wales Regulation A3 and should be interpreted in relation to Standard 1.2. In particular, references to building classes should be risk groups and the building types and occupancy should be interpreted as the building types set out in the table to clause 1.2.2.

Annex 1.A Structural Design Standards

1.A.0 Introduction

The British Standards Institution (BSI) agreement with the European Committee for Standardisation (CEN) obliges it to withdraw UK national standards after a harmonised European Standard with the same scope and field of application has been produced. BSI, in line with this commitment, will by 31 March 2010 replace the British Standards relating to loading and structural design with the European Standards and associated National Annexes listed in the tables below:

1.A.1 Structural Design Standards [1]

Table 1.2 Eurocode: Basis of structural design

Eurocode: Basis of structural design	Corresponding BS to be withdrawn
BS EN 1990: 2002 Basis of structural design	
Note: Some sections of EN 1990 correspond with BS 5268-2, BS 5628-1, BS 5950-1 and BS 8110-1 and 2. BS 5400-1 which is not referred to in Section 1: Structure also has some content that corresponds to EN 1990.	

Table 1.3 Eurocode 1: Actions on structures

Eurocode 1: Actions on structures	Corresponding BS to be withdrawn
BS EN 1991-1-1: 2002 Actions on structures. General actions. Densities, self-weight, imposed loads for buildings	BS 6399-1, BS 6399-3, BS 648
BS EN 1991-1-2: 2002 Actions on structures. General actions. Actions on structures exposed to fire	
BS EN 1991-1-3: 2003 Actions on structures. General actions. Snow loads	BS 6399-3

Eurocode 1: Actions on structures	Corresponding BS to be withdrawn
BS EN 1991-1-4: 2005 Actions on structures. General actions. Wind actions	BS 6399-2, BS 5400-2
BS EN 1991-1-5: 2003 Actions on structures. General actions. Thermal actions Note: Some sections of EN 1991-1-5 relating to bridges correspond to BS 5400-2	
BS EN 1991-1-6: 2005 Actions on structures. General actions. Actions during execution	
BS EN 1991-1-7: 2006 Actions on structures. General actions. Accidental actions	Minimal guidance in BS 6399-1. Some sections of EN 1991-1-7 correspond with BS 6399-1, BS 5268-1, BS 5628-1, BS 5950-1, BS 8110-1 and 2 and BS 5400-3
BS EN 1991-2: 2003 Actions on structures. Traffic loads on bridges	BS 5400-2
BS EN 1991-3: 2006 Actions on structures. Actions induced by cranes and machines	
BS EN 1991-4: 2006 Actions on structures. Silos and tanks	

Table 1.4 Eurocode 2: Design of concrete structures

Eurocode 2: Design of concrete structures	Corresponding BS to be withdrawn
BS EN 1992-1-1: 2004 Design of concrete structures. General rules and rules for buildings	BS 8110-1, BS 8110-2, BS 8110-3
BS EN 1992-1-2: 2004 Design of concrete structures. General rules. Structural fire design	BS 8110-1, BS 8110-2
BS EN 1992-2: 2005 Design of concrete structures. Concrete bridges. Design and detailing rules	BS 5400-4, BS 5400-7, BS 5400-8
BS EN 1992-3: 2006 Design of concrete structures. Liquid retaining and containing structures	BS 8007

Table 1.5 Eurocode 3: Design of steel structures

Eurocode 3: Design of steel structures	Corresponding BS to be withdrawn
BS EN 1993-1-1: 2005 Design of Steel structures. General rules and rules for buildings	BS 5950-1, BS 5400-3
BS EN 1993-1-2: 2005 Design of steel structures. General rules. Structural fire design	BS 5950-8
BS EN 1993-1-3: 2006 Design of steel structures. General rules. Supplementary rules for cold-formed members and sheeting	BS 5950-5, BS 5950-6, BS 5950-9
BS EN 1993-1-4: 2006 Design of steel structures. General rules. Supplementary rules for stainless steels	
BS EN 1993-1-5: 2006 Design of steel structures. Plated structural elements	BS 5950-1, BS 5400-3

Eurocode 3: Design of steel structures	Corresponding BS to be withdrawn
BS EN 1993-1-6: 2007 Design of steel structures. General. Strength and stability of shell structures	
BS EN 1993-1-7: 2007 Design of steel structures. Plated structures subject to out of plane loading	
BS EN 1993-1-8: 2005 Design of steel structures. Design of joints	BS 5950-1 BS 4604-1, BS 4604-2, BS 5400-3
BS EN 1993-1-9: 2005 Design of steel structures. Fatigue	BS 5950-1, BS 5400-10
BS EN 1993-1-10: 2005 Design of steel structures. Material toughness and through-thickness properties	BS 5950-1, BS 5400-3
BS EN 1993-1-11: 2006 Design of steel structures. Design of structures with tension components	
BS EN 1993-1-12: 2007 Design of steel structures. Additional rules for the extension of EN 1993 to steel grades S700	BS 5950-1
BS EN 1993-2: 2006 Design of steel structures. Steel bridges	BS 5400-3
BS EN 1993-3-1: 2007 Design of steel structures. Towers, masts and chimneys. Towers and masts	BS 8100-1, BS 8100-2, BS 8100-3, BS 8100-4
BS EN 1993-3-2: 2008 Design of steel structures. Towers, masts and chimneys. Chimneys	BS 4076
BS EN 1993-4-1: 2007 Design of steel structures. Silos, tanks and pipelines. Silos	
BS EN 1993-4-2: 2007 Design of steel structures. Silos, tanks and pipelines. Tanks	
BS EN 1993-4-3: 2007 Design of steel structures. Silos, tanks and pipelines. Pipelines	
BS EN 1993-5: 2007 Design of steel structures. Piling	BS 5950-1
BS EN 1993-6: 2007 Design of steel structures. Crane supporting structures	BS 5950-1, BS 2853

Table 1.6 Eurocode 4: Design of composite steel and concrete structures

Eurocode 4: Design of composite steel and concrete structures	Corresponding BS to be withdrawn
BS EN 1994-1-1: 2004 Design of composite steel and concrete structures. General rules and rules for buildings	BS 5950-3.1, BS 5950-4
BS EN 1994-1-2: 2005 Design of composite steel and concrete structures. General rules. Structural fire design	BS 5950-8
BS EN 1994-2: 2005 Design of composite steel and concrete structures. General rules and rules for bridges	BS 5400-5

Table 1.7 Eurocode 5: Design of timber structures

Eurocode 5: Design of timber structures	Corresponding BS to be withdrawn
BS EN 1995-1-1: 2004 Design of timber structures. General. Common rules and rules for buildings	BS 5268-2, BS 5268-3, BS 5268-6.1, BS 5268-6.2, BS

Eurocode 5: Design of timber structures	Corresponding BS to be withdrawn
	5268-7.1, BS 5268-7.2, BS 5268-7.3, BS 5268-7.4, BS 5268-7.5, BS 5268-7.6, BS 5268-7.7
BS EN 1995-1-2: 2004 Design of timber structures. General. Structural fire design	BS 5268-4.1, BS 5268-4.2
BS EN 1995-2: 2004 Design of timber structures. Bridges	

Table 1.8 Eurocode 6: Design of masonry structures

Eurocode 6: Design of masonry structures	Corresponding BS to be withdrawn
BS EN 1996-1-1: 2005 Design of masonry structures. General rules for reinforced and unreinforced masonry structures	BS 5628-1, BS 5628-2
BS EN 1996-1-2: 2005 Design of masonry structures. Structural fire design	BS 5628-3
BS EN 1996-2: 2006 Design of masonry structures. Design considerations, selection of materials and execution of masonry	BS 5628-3
BS EN 1996-3: 2006 Design of masonry structures. Simplified calculation methods for unreinforced masonry structures	

Table 1.9 Eurocode 7: Geotechnical design

Eurocode 7: Geotechnical design	Corresponding BS to be withdrawn
BS EN 1997-1: 2004 Geotechnical design. General rules	BS 8002, BS 8004, BS 8006, BS 8081
BS EN 1997-2: 2007 Geotechnical design. Ground investigation and testing	

Table 1.10 Eurocode 8: Design of structures for earthquake resistance

Eurocode 8: Design of structures for earthquake resistance	Corresponding BS to be withdrawn
BS EN 1998-1: 2004 Design of structures for earthquake resistance. General rules. Seismic actions for buildings	
BS EN 1998-2: 2005+Amendment 1: 2009 Design of structures for earthquake resistance. Bridges	
BS EN 1998-3: 2005 Design of structures for earthquake resistance. Assessment and retrofitting of buildings	
BS EN 1998-4: 2006 Design of structures for earthquake resistance. Silos tanks and pipelines	
BS EN 1998-5: 2004 Design of structures for earthquake resistance. Foundations, retaining structures and geotechnical aspects	
BS EN 1998-6: 2005 Design of structures for earthquake resistance. Towers masts and chimneys	

Table 1.11 Eurocode 9: Design of aluminium structures

Eurocode 9: Design of aluminium structures	Corresponding BS to be withdrawn [1]
BS EN 1999-1-1: 2007 Design of aluminium structures. General rules	BS 8118-1, BS 8118-2
BS EN 1999-1-2: 2007 Design of aluminium structures. General. Structural fire design	
BS EN 1999-1-3: 2007 Design of aluminium structures. Additional rules for structures susceptible to fatigue	BS 8118-1
BS EN 1999-1-4: 2007 Design of aluminium structures. Supplementary rules for trapezoidal sheeting	
BS EN 1999-1-5: 2007 Design of aluminium structures. Supplementary rules for shell structures	BS 8118-1

Additional Information. Note 1: Many of these standards are not directly, or are not currently referenced in Section 1: Structure. Some may not be applicable to Section 1 Structure such as, BS 5400 for bridges, or are applicable to other parts of the technical handbooks.

Fire

2.0 Introduction

2.0.1 Background

Life safety is the paramount objective of fire safety. Domestic buildings should be designed and constructed in such a way that the risk of fire is reduced and, if a fire does occur, there are measures in place to restrict the growth of fire and smoke to enable the occupants to escape safely and fire-fighters to deal with fire safely and effectively.

There are almost 5000 reported fires in dwellings (e.g. houses, flats and maisonettes) every year in Scotland. Fires can have a devastating effect on the lives of people and results in around 40 deaths and 900 injuries each year. The most common cause of accidental fires in dwellings involved cooking appliances (62%), electrical supply or electrical lighting (14%), combustibles ignited due to being too close to candles or other heat source (9%), the remaining 15% is accounted for by the careless disposal of cigarettes and matches and other domestic appliances. Evidence also shows that the consumption of alcohol and/or smoking are contributory factors which increases the risk of an accidental fire occurring. Occupants who are alone at the time of the fire and are in the room of fire origin, are more likely to suffer injury (e.g. burns and smoke inhalation) or even death in some cases.

It is impossible to eliminate the risks from fire altogether and the prevention of deliberate or accidental fires caused by the actions of occupants within a dwelling are outside the scope of building standards. For advice on best practice relating to fire safety in the home, visit the Scottish Fire and Rescue Service website <http://www.firescotland.gov.uk/> or contact the community fire safety team at your local fire station. Although beyond the scope of this guidance, the adoption of good fire safety practices should be encouraged to reduce the risk of fire occurring in the first place. Fire prevention will not only save lives but will protect property and reduce environmental pollution.

The standards and guidance in this section are designed to work together to provide a balanced approach to fire safety. The building elements, materials, components or other parts of the building identified in the guidance should follow the appropriate performance levels that are recommended throughout the guidance. However where an element, material, component, or other part of a building is covered by more than one standard, the more demanding guidance should be followed in most cases.

2.0.2 Aims

The purpose of the guidance in Section 2 is to achieve the following objectives in the case of an outbreak of fire within the building:

- to protect life
- to assist the fire and rescue services, and
- to further the achievement of sustainable development.

Protection of life - it is important to recognise that the standards will not guarantee the life safety of all building occupants. Occupants in dwellings do not normally perceive themselves to be at risk from fire and are not usually aware of the speed that fire can spread. The risk to occupants is greater if they are asleep during the outbreak of fire as they are likely to be roused more slowly. Occupants should be warned as soon as possible following the outbreak of fire and the guidance to Standard 2.11 provides recommendations for the installation of alarm and detection systems in domestic buildings.

Fire and rescue service - in some cases, occupants will not react quickly enough before being overcome by the effects of the fire and smoke and as a result, may require to be rescued by the fire and rescue service. For facilities to assist the fire and rescue service, see Standards 2.12 to 2.14.

Sustainability - the building regulations are primarily concerned with the protection of people from the dangers inherent in buildings, rather than protecting the owners of buildings from any economic loss which might occur. However following the guidance in the handbook will continue to embed active and passive fire protection systems within buildings which should reduce the likelihood of the total destruction of the building following the outbreak of fire.

2.0.3 Scope

Guidance in this section may not be appropriate for the following buildings as they are rarely designed and constructed in Scotland:

- a. dwellings having an individual storey with an area more than 200m²
- b. houses with a storey at a height of more than 18m above ground level
- c. domestic buildings containing a basement storey at a depth of more than 4.5m below ground level
- d. domestic buildings with a communal room with an area more than 60m²
- e. domestic buildings containing catwalks, openwork floors or escalators
- f. domestic buildings containing places of special fire risk
- g. domestic buildings having an escape route over a flat roof or access deck, or
- h. domestic buildings with a storey at a height of more than 60m above ground level.

For the purposes of (a) above, the area of an individual storey includes the area of a gallery or sleeping deck but excludes the area of an integral domestic garage.

In the case of a mixed use building containing non-domestic and domestic accommodation, reference should be made to the Technical Handbook for non-domestic buildings as well as the guidance contained in this Handbook.

In the case of sub-clauses (a) to (h) above, the alternative approach described in clause 2.0.7 should be used.

2.0.4 Method of measurement

The rules of measurement in Section 0 of the Technical Handbook may not be appropriate for the guidance in Section 2 Fire. For example, to establish the height of the topmost storey for fire and rescue service facilities, the height should be measured from the fire and rescue service access level and not necessarily the lowest ground level. Therefore, methods of measurement unique to fire are described within the guidance under each of the relevant standards.

Plant Storeys - for the purpose of measurement, the height above ground to the top most storey excludes, roof-top plant areas and any top storeys consisting exclusively of plant rooms.

2.0.5 Latest changes

The key changes that have been made to the standards and guidance applicable from 1 June 2022 are:

- **General** – Minor editorial change to refer to fire resistance duration throughout.
- **Clause 2.0.9** – Clause re-written to include reference to European Classification F and further explanation provided in annex 2.B.
- **Clause 2.0.10** – Guidance on third party certification and accreditation re-written to add clarity.
- **Clause 2.2.0** – Last sentence removed in second paragraph.
- **Clause 2.2.6** – Minor editorial changes in relation to the fire resistance duration of combustible separating floors.
- **Clause 2.2.10** – Additional guidance provided on technical assessments and junctions with walls.
- **Clause 2.4.0** – Cross reference to Standard 2.2 separation included in second paragraph.
- **Clause 2.4.1** – Minor editorial change to second paragraph to add clarity of intent.
- **Clause 2.4.2** – European Class F products added to guidance on dividing cavities.
- **Clause 2.4.4** – Guidance clarified to incorporate changes to Regulation 8 of the Building (Scotland) Amendment Regulations 2022.
- **Clause 2.4.7** – Guidance on junctions amended to clarify intent.
- **Clause 2.5.0** – Reference to prohibition on the use of highly combustible metal composite material panels added.
- **Clauses 2.6.0** - Reference to the prohibition on the use of highly combustible metal composite material panels added and previous guidance removed.
- **Clause 2.6.4** – First paragraph replaced and guidance changed in accordance with Regulation 8 of the Building (Scotland) Amendment Regulations 2022.
- **Clause 2.6.5** – Minor editorial changes.
- **Standard 2.7** – Mandatory standard amended to clarify intent with regard to the height, use and position of the building.
- **Clause 2.7.0** – Reference to the prohibition of highly combustible metal composite cladding material panels added. Cross reference made to Standard 2.2 and 2.4. Advice on compliance provided under the Building Standards Futures Board.
- **Clause 2.7.1** – Meaning of external wall cladding systems explained and clause re-written to include Regulation 8 of the Building (Scotland) Amendment Regulations 2022.
- **Clause 2.7.2** – Guidance amended to include Regulation 8 of the Building (Scotland) Amendment Regulations 2022 and additional guidance on awnings, canopies and signage provided.
- **Clause 2.A.2** – Reference to BR 128 removed.
- **Clause 2.B.0** – Reference to the Construction Products Regulations removed.
- **Clause 2.B.1** – Clause re-written to provide additional guidance on external wall cladding systems including exemptions and the use of large scale fire testing.
- **Clause 2.B.2** – Additional guidance on reaction to fire provided including smoke production and burning droplets. Table updated and European Class F reintroduced.
- **Clause 2.B.3** – Reference to Classified Without Testing process updated.

- **Appendix A** - New Regulation 8 definitions included for highly combustible metal composite material, relevant building, specified attachment and substantial layer. Hospital definition amended.
- **Appendix B**: References to BS 8414/BR 135 and BS 9414 added. Reference to publication 'Guide to Undertaking Technical Assessments of Fire Performance of Construction Products Based on Fire Test Evidence' (Passive Fire Protection Forum, 2021) added.

2.0.6 Explanation of terms

Flat or maisonette - for the purposes of the guidance in Section 2 Fire, except in relation to the guidance to Standard 2.15, a flat or maisonette entered only from the open air at ground level and with no storey at a height of more than 4.5m should be regarded as a house and follow the guidance accordingly.

Protected routes of escape - throughout the document there are references to protected routes of escape these include: open access balconies, galleries wholly or partly enclosed below, protected lobbies, protected zones, protected enclosures, external escape stairs, basements and alternative exits. This list is not exhaustive and is not intended to cover all parts of a building providing protected routes of escape. For example, separating walls and separating floors also protect routes of escape but are covered by the guidance to Standard 2.2.

External areas - a roof, an external balcony or an enclosed courtyard open to the external air, where the area is more than 8m² and to which there is access for a purpose other than maintenance, should be regarded as a room. It is not intended that these external areas be treated as apartments which create inner rooms to dwellings.

A circulation space in a dwelling is an area mainly used as a means of access and egress between a room and an exit (e.g. hallways and stairwells).

A sleeping deck within a room should be regarded as being part of that room. However for the purposes of the guidance to Standard 2.9, sleeping decks which do not fall within the definition of a gallery should be regarded as a separate room or storey as the case maybe.

2.0.7 Alternative approaches

Alternative means of complying with building standards - the guidance contained within this Technical Handbook indicates one or sometimes more than one means of complying with the mandatory building standards 2.1 to 2.15. In the majority of projects it is envisaged that meeting the guidance will be the usual means of showing that compliance with the building standards has been achieved.

However, it should be appreciated that, due to the generic nature of the guidance it cannot cover all building designs or, for example, innovative or new methods of construction. In such cases the designer or engineer will be required to show, by alternative means, that compliance with the building standards will be achieved in the completed building. For example, where the elements of structure are engineered timber (including cross laminated timber), the structure should maintain stability during the fire growth and fully developed post flashover phases of the fire without reliance on intervention from the fire and rescue services. Encapsulation of combustible elements of structure may require to be provided to protect the structure against ignition and charring for the duration of the fire. Where encapsulation (i.e. both physically and in terms of the period of fire resistance duration) is not provided or does not protect the combustible material against ignition and charring for the duration of the fire, the structural fire engineer should consider the additional contribution of the exposed combustible material to the fire load density including an assessment of the structural stability of the building due to both potential delamination and failure of the fixings at elevated temperatures.

Fire safety engineering - it is reasonable to demonstrate compliance with the functional standards by alternative means and in such cases, the fire engineer, the building standards verifier and the fire and rescue service should be consulted early in the design process.

Fire safety engineering may be the only practical way to achieve a satisfactory level of fire safety in some large and complex buildings or where innovative or new methods of construction are used. In such cases a holistic approach is desirable from first principles rather than following, in part or wholly, the guidance contained in the Technical Handbooks. In such cases the building standards verifier and the fire and rescue service should be consulted as part of the Qualitative Design Review (QDR) process.

For many projects it is likely that designers will follow the guidance in the Technical Handbooks and fire engineering techniques will not be necessary. In its simplest form the QDR team may define the acceptance criteria in terms of compliance with the Handbooks.

However, it is common for fire engineers and regulators to be engaged relatively late in the design process to resolve fire safety issues raised during the verification or, in extreme cases, the construction process. This is unhelpful as fire engineers are often commissioned to resolve specific issues where the design does not follow the guidance rather than assessing the building holistically. This can lead to a comparative exercise against unrealistic worst case scenarios of a “code compliant” design to justify deviations. This is not the intent of the guidance and it is important that the safety goals are well defined and achieved with a sufficient margin of safety. The objective of a comparative study should be to demonstrate that the building design, as a whole, presents no greater risk to the occupants than a similar type of building designed in accordance with the Technical Handbook guidance. Further, it is common for the inappropriate use of Computational Fluid Dynamics where the deviations from the Handbooks would not merit such an exercise to be carried out. It is recognised that there may be instances where small deviations from the guidance do not warrant a “whole building” fire engineered design and inevitably involves a degree of negotiation without the need for detailed analysis.

Not all cases of variance from the guidance will require the appointment of a fire engineer. Reference could be made to ‘A simplified approach to alternative fire safety strategies’ Scottish Government (2010), which provides additional advice.

Existing buildings - it may be appropriate to vary the guidance contained in this Handbook when assessing the guidance against the constraints in existing buildings especially those buildings which are listed in terms of their architectural or historic interest. In such cases, it would be appropriate to take into account a range of fire safety features, some of which are dealt with in this Handbook and some of which are not addressed in any detail. For more detailed information, guidance is contained in the ‘Guide for Practitioners 6 – Conversion of traditional buildings’ (Historic Scotland).

Fire engineering designs can be complex and many require extensive use of engineering judgement. The following documents are cited to ensure that the guidance given encompasses best practice worldwide:

- BS 7974: 2019 Application of fire safety engineering principles to the design of buildings, or
- International Fire Engineering Guidelines, 2005 (IFEG).

The use of either document assumes that those carrying out or assessing a fire engineering approach have sufficient technical training, knowledge and experience to understand fully the risks involved.

The objectives of any fire safety strategy should be established first and designers and verifiers should be aware of the importance of the design assumptions. For example, the

strategy should include an assessment of the system reliability. This will help to ensure that the fire safety objectives have been met.

Responsible person - it is important that owners/responsible person understand that the fire safety measures installed in a building need to be maintained and tested over the life time of the building so that they will operate effectively. BS 7974 and IFEG assume that all aspects of the fire engineering strategy are capable of being maintained and deployed over the lifetime of the building. If for example, alterations are found to be necessary due to changes to the building layout, the original strategy may need to be re-evaluated to ensure the fire safety provisions have not been compromised. For this reason, the fire strategy should preferably support any fire safety risk assessment required under Part 3 of the Fire (Scotland) Act 2005, as amended.

Fire safety engineering involves the use of scientific based calculations and/or statistical information to demonstrate an adequate level of safety for a specific building, structure or installation. In this regard the fire safety strategy is based on performance rather than prescription. Therefore fire safety engineering is about the need to identify the fire hazard, assess the fire risks, understand the consequences and to offer fire safety strategies and designs to show how the objectives have been met. The 'tools' that support fire engineering can include calculation methods which are used to demonstrate that under a worst reasonable case, tenable conditions are maintained during the evacuation period. For example, a smoke exhaust fan in a smoke reservoir within an atrium space fails to operate but the smoke layer height continues to be maintained by the activation of a stand-by fan.

It is recognised that fire engineering is still a rapidly developing field and as such does not have the standardised codes for approaching and solving problems compared to other engineering disciplines. The documents identified above aim to provide a structured framework for assessing the interaction between, buildings, people and fire, and to facilitate innovation in design without compromising safety. They provide information on how to undertake a detailed analysis of specific aspects of fire safety engineering in buildings.

In practice, both frameworks provide a flexible but formalised engineering approach to fire safety which can be applied to new or existing buildings to show that the functional standards have been met.

BS 7974: 2019 Application of fire safety engineering principles to the design of buildings is supported by 7 published documents:

- Part 1: Initiation and development of fire within the enclosure of origin
- Part 2: Spread of smoke and toxic gases within and beyond the enclosure of origin
- Part 3: Structural response and fire spread beyond the enclosure of origin
- Part 4: Detection of fire and actuation of fire protection systems
- Part 5: Fire service intervention
- Part 6: Human factors: Life safety strategies – Occupant evacuation, behaviour and condition, and
- Part 7: Probabilistic risk assessment.

International Fire Engineering Guidelines IFEG have been developed for use in the fire engineering design and approval of buildings. The objectives of the guidelines are to provide:

- a. a link between the regulatory system and fire engineering

- b. guidance for the process of engineering, and
- c. guidance on available methodologies.

The IFEG sub-systems bear a very close resemblance to the sub-systems used in BS 7974: 2019 and are set out below:

- fire initiation and development and control
- smoke development and spread and control
- fire spread and impact and control
- fire detection, warning and suppression
- occupant evacuation and control, and
- fire services intervention.

Clause 1.3.2 of IFEG states that "Typically, each building project is unique and similarly, each fire engineering evaluation is unique". It is not sensible, therefore, to set down detailed guidance on how the fire safety analysis should be undertaken. Instead, it is the responsibility of the fire engineer to plan the analysis for the particular project, based on the decisions taken during the preparation of the fire engineering brief as discussed in Chapter 1.2.

2.0.8 Relevant legislation

It is important to be aware that there is other legislation, apart from building regulations, imposing requirements for means of escape in case of fire and other fire safety measures that will come into force when the building is occupied. It is therefore recommended that consultation with those responsible for such legislation takes place before the application for building warrant is finalised. Any necessary fire precaution requiring additional building work can then be included in the application.

Part 3 of the Fire (Scotland) Act 2005 (2005 Act), as amended introduced a fire safety regime which applies mainly to non-domestic buildings. The regime does not generally apply to domestic buildings but may apply where staff are employed or members of the general public have access e.g. a dental surgery within a dwelling. The regime also applies to domestic buildings that are licensed as Houses in Multiple Occupation and to some domestic buildings where certain care services are provided. Those domestic premises covered by Part 3 of the 2005 Act, as amended are defined in Section 78 of the Act.

Persons with obligations under the Act are required to carry out a fire safety risk assessment which may require additional fire safety precautions to reduce the risk to life in case of fire. For example, measures to reduce the risk and spread of fire, means of escape, fire-fighting equipment, fire detection and warning, instruction and training. Other measures are prescribed by regulation. The fire safety risk assessment should be kept under continuous review.

There is sector specific guidance for various building types on how to comply with Part 3 of the Act, on the Firelaw website.

In many premises, existing fire safety measures have been incorporated in accordance with building regulations, however it is possible for a higher standard to be applied as a consequence of a fire safety risk assessment.

Section 71 of the 2005 Act makes it clear that terms, conditions or restrictions in licences, including statutory certification or registration schemes, are to have no effect if they relate to fire safety requirements or prohibitions which are or could be imposed under Part 3 of the 2005 Act, as amended.

The Fire Safety (Scotland) Regulations 2006 made under the Fire (Scotland) Act 2005 and contain provisions which are part of the fire safety regime. These regulations must be considered along with Part 3 of the 2005 Act, as amended. The regulations contain further requirements in respect of fire safety risk assessment and obligations of duty holders.

The Construction (Design and Management) Regulations 2015 are intended to protect people working in construction and others who may be affected by their activities. The regulations require the systematic management of projects from concept to completion and throughout the life cycle of the structure, including eventual demolition. The CDM Regulations require designers and those who control or carry out construction work to identify hazards associated with their designs or work (including risk from fire) and plan to eliminate, reduce or control the risks.

Houses in Multiple Occupation (HMOs) - Section 2 of the Domestic Technical Handbook should be used for multi-occupancy dwellings designed for not more than six individuals living together as a single household. This includes houses, maisonettes and flats (including flatted student accommodation and cluster flats that are essentially designed as self-contained flats), regardless of the evacuation strategy. Section 2 Fire of the Non-domestic Technical Handbook should be used for shared multi-occupancy residential buildings designed for more than six individuals including student accommodation designed on the traditional "halls of residence" principle, with bedrooms having shared sanitary and cooking facilities.

It should be noted that multi-occupancy dwellings and shared multi-occupancy residential buildings may also require to be licensed for use as a 'House in Multiple Occupation' (HMO) under the Civic Government (Scotland) Act 1982 (Licensing of Houses in Multiple Occupation) - Order 2000. In relation to fire safety aspects, HMOs which require a licence are also subject to Part 3 of the Fire (Scotland) Act 2005, as amended and guidance is available on the Firelaw website.

The Care Inspectorate is responsible for regulating a diverse range of care services some of which are delivered in non-domestic buildings (e.g. care homes, nurseries, independent hospitals, hospices, residential schools, secure accommodation) and some in domestic buildings (e.g. childminding, supported accommodation, adult placement services). The services are inspected by the Inspectorate against national care standards issued by Scottish Ministers some of which include physical standards for the premises. The Inspectorate consults with the fire and rescue service on fire safety matters as part of the care service registration process. Where the applicant for a warrant intends to use or provide such a service, they should consult the Inspectorate and fire and rescue service for advice.

Some care services may be provided in a domestic setting where there is a requirement to comply with the Fire (Scotland) Act 2005 and associated legislation e.g. any premises in which a "care home service" is provided will always fall within the scope of the legislation. Some, but not all, premises in which a "housing support service" is provided may also be required to comply e.g. where a House in Multiple Occupation licence is required, etc. It is important that a proportionate approach is taken to ensure the fire safety of the occupants in the event of an outbreak of fire and as such, the dutyholder should take account of the level of dependency of the residents when carrying out a fire risk assessment. Additional fire safety measures including automatic fire suppression may be required in those premises where highly vulnerable occupants cannot self-evacuate the building, for example, where the occupant is bed-ridden or has limited mental capacity and may not respond to the fire alarm.

Where care services are to be provided in a domestic setting to which the Fire (Scotland) Act 2005 does not apply, the safety of the occupants in the event of an outbreak of fire must still be considered. Any fire safety risk assessment should take account of the level of dependency of the residents. For example, it may be appropriate to consider fire safety equipment such as portable fire suppression and automatic cut-off devices for cookers depending on the risk identified.

'Practical Fire Safety Guidance for existing Specialised Housing and similar premises' provides guidance for many domestic premises where the Fire (Scotland) Act 2005 does not apply. In those cases it is recommended that a fire safety risk assessment (of both the building and the person) is the best way to protect residents from the risk of fire.

2.0.9 Annexes

Annex 2.A - Resistance to fire

Resistance to fire is expressed in terms of fire resistance duration and reference throughout this document to a short, medium or long fire resistance duration, are explained in annex 2.A. The performance levels include properties such as loadbearing capacity, integrity and insulation.

Annex 2B - Reaction to fire

Reaction to fire of construction products is expressed as European Classification A1, A2, B, C, D, E and F (with A1 being the highest performance and F being the lowest). The performance levels include properties such as ease of ignition and rate at which the product gives off heat when burning. Further explanation is provided in annex 2.B including sub-indices for smoke production and/or flaming droplets/particles.

Annex 2C - Vulnerability of roof coverings

Roof coverings are expressed in terms of low, medium or high vulnerability and explained in annex 2.C. The performance levels relate to the capability of a roof to resist penetration from fire and flame spread when the external surface is exposed to radiation and flames.

2.0.10 Independent third party certification and accreditation

Independent third-party certification or accreditation can be used as evidence towards demonstrating compliance with building regulations. Certification provides third-party confirmation via audit of an organisation's systems or products. Accreditation is independent third-party recognition that an organisation has the competence and impartiality to perform specific technical activities such as certification, testing and inspection.

Third party certification of installers of systems, materials, products or structures provides a means of ensuring that installations have been conducted by knowledgeable contractors to appropriate standards, thereby increasing the reliability of the anticipated performance in fire.

Confidence that the required level of performance can be achieved will be demonstrated by the use of product and installer certification schemes that are accredited.

Such certification schemes not only provide a means of identifying materials and designs of systems, products or structures which have demonstrated that they have the requisite performance in fire, but additionally provide confidence that the systems, materials, products or structures actually supplied are provided to the same specification or design as that tested and assessed.

The 'Guide to Undertaking Technical Assessments of Fire Performance of Construction Products Based on Fire Test Evidence' (Passive Fire Protection Forum, 2021) provides advice including the competency of those undertaking technical assessments linked to levels of complexity. The guidance promotes effective fire safety design to ensure the reliability and quality of passive fire protection materials and systems. The guide also encourages third party certification schemes for the manufacture, installation, inspection and maintenance of products and systems, and relates to the provision of technical

assessments that can extend the scope of design and application of a passive product or system by providing a robust and competent approach to technical assessments.

Scottish Ministers can, under Section 7 of the Building (Scotland) Act 2003, approve schemes for the certification of design or construction for compliance with the mandatory functional standards. Such schemes are approved on the basis that the procedures adopted by the scheme will take account of the need to co-ordinate the work of various designers and specialist contractors. Individuals approved to provide certification services under the scheme are assessed to ensure that they have the qualifications, skills and experience required to certify compliance for the work covered by the scope of the scheme. Checking procedures adopted by Approved Certifiers will deliver design or installation reliability in accordance with legislation.

2.1 Compartmentation

Mandatory Standard

Standard 2.1

Every building must be designed and constructed in such a way that in the event of an outbreak of fire within the building, fire and smoke are inhibited from spreading beyond the compartment of origin until any occupants have had the time to leave that compartment and any fire containment measures have been initiated.

Limitation:

This Standard does not apply to domestic buildings.

2.2 Separation

Mandatory Standard

Standard 2.2

Every building, which is divided into more than one area of different occupation, must be designed and constructed in such a way that in the event of an outbreak of fire within the building, fire and smoke are inhibited from spreading beyond the area of occupation where the fire originated.

2.2.0 Introduction

In order to reduce the risk of fire spreading from one dwelling to another, fire separation should be provided between dwellings and between dwellings and any common spaces. Such separation should form a complete barrier to the products of combustion; smoke, heat and toxic gases. In semi-detached or terraced houses, or between flats or maisonettes, the barrier will normally be in the form of fire resisting walls and floors where appropriate.

The guidance in clause 2.2.9 (Openings and service penetrations) and clause 2.2.10 (Junctions) is common, not only to separation, but also to the relevant guidance in Standard 2.4 Cavities and Standard 2.9 Escape.

Conversions - in the case of conversions, as specified in regulation 4, the building as converted shall meet the requirements of this standard in so far as is reasonably practicable, and in no case be worse than before the conversion (regulation 12, schedule 6).

2.2.1 Dwellings in different occupation

A separating wall or separating floor with at least a medium fire resistance duration should be provided between adjoining dwellings.

2.2.2 Dwellings with common occupation

A separating wall or separating floor with at least a medium fire resistance duration should be provided between a dwelling and any other part of the building in common occupation. A protected zone and a common access corridor should be considered as being in common occupation. Any self-closing fire door installed in these separating walls should have at least a short fire resistance duration and in the case of a high rise domestic building, a medium fire resistance duration. For ancillary rooms and spaces, common external escape stairs or open access balconies, see the guidance to Standard 2.9.

2.2.3 Separation between domestic and non-domestic buildings

A separating wall or separating floor with at least a medium fire resistance duration should be provided between a domestic and non-domestic building. Reference should also be made to the guidance for non-domestic buildings where appropriate.

2.2.4 Domestic garages

There is a risk posed by the storage of combustible materials and other highly flammable substances in garages which are integral or attached to a dwelling.

A separating wall or separating floor with a short fire resistance duration therefore should be provided between an integral or attached garage and a dwelling in the same occupation. It is not necessary for a roof space above the garage to be separated from the dwelling where the garage ceiling will serve as a separating floor with a short fire resistance duration (see annex 2.A).

2.2.5 Lift wells

Every lift well should be enclosed by separating walls with a medium fire resistance duration. Where the lift well does not extend the full height of the building, the lift well should form a junction with a separating floor with a medium fire resistance duration. Where a lift is installed, the landing controls and lift car controls should be of a type that do not operate on heat or pressure resulting from a fire.

A platform lift constructed in accordance with the guidance in BS 6440: 1999 (see Section 4 Safety), need not be enclosed by separating walls or separating floors.

2.2.6 Combustibility

Separating Walls - in a building with no storey at a height above 18m, separating walls may be constructed from combustible products provided the appropriate fire resistance duration is achieved.

To reduce the risk of a fire starting within a combustible separating wall or a fire spreading rapidly on or within the wall construction:

- insulation exposed in a cavity should be constructed from products which achieve European Classification A1, A2, or B, and
- the internal wall linings should be constructed from products which achieve European Classification A1, A2, or B, and
- the wall should contain no pipes, wires or other services.

Where an opening is created to allow services to pass through the wall, the opening should be constructed in accordance with the guidance in clause 2.2.9.

Separating floors - in a domestic building with no storey at a height above 18m, separating floors may be constructed from combustible products provided the appropriate fire resistance duration is achieved.

Where a domestic building also contains non-domestic accommodation, every part of that separating floor (other than a floor finish e.g. laminate flooring) should be constructed from products which achieve European Classification A1 or A2. This is not necessary for a floor:

- between a shop or office and a dwelling above the shop or office in the same occupation where there is no other dwelling above the shop or office, and the area of the shop or office is not more than 1½ times the area of the separating floor, or
- above a pend where the floor has at least medium fire resistance duration and the ceiling of the pend is constructed from products which achieve European Classification A1 or A2, or
- between a domestic building and a unit of shared residential accommodation.

2.2.7 High rise domestic buildings

Occupants in high rise domestic buildings may not evacuate the building immediately and fire-fighting and rescue operations will take longer to commence if the fire is on a floor high above the ground. Therefore in order to improve occupant and fire-fighter safety in high rise domestic buildings every:

- separating wall, separating floor and open access balcony should be constructed from products which achieve European Classification A1 or A2,
- separating floor and open access balcony should have a long fire resistance duration, and
- separating wall including any self-closing fire door, should have at least a medium fire resistance duration.

2.2.8 Supporting structure

Where an element of structure (see clause 2.3.0) provides support to a separating wall or separating floor constructed from products which achieve European Classification A1 or A2, the supporting element of structure should also achieve European Classification A1 or A2.

Where an element of structure provides support to a separating wall or separating floor which attracts a higher fire resistance duration, the supporting element of structure should have at least the same fire resistance duration.

2.2.9 Openings and service penetrations

General - Separating walls and separating floors are intended to prevent fire passing from one part of the building to another part under different occupation. Openings and service

penetrations through these walls or floors can compromise their effectiveness and should be kept to a minimum. The solum and roof-space should not be forgotten. Openings and service penetrations should be carefully detailed and constructed to resist fire. This can be achieved by following the guidance below.

A self-closing fire door with the same fire resistance duration as the separating wall should be installed in accordance with the recommendations in the Code of Practice, 'Hardware for Fire and Escape Doors', published by the Door and Hardware Federation and the Guild of Architectural Ironmongers.

In some instances a self-closing fire door with a short fire resistance duration may be installed. For example in a separating wall between a dwelling and a common space (see clause 2.2.2).

A self-closing fire door should not be fitted in a separating wall between 2 dwellings in different occupation.

A lockable door to a cupboard or service duct with a floor area not more than 3m² need not be self-closing.

Hold open devices- Self-closing fire doors can be fitted with hold open devices as specified in BS 5839: Part 3: 1988 provided the door is not an emergency door, a protected door serving the only escape stair in the building (or the only escape stair serving part of the building) or a protected door serving a fire-fighting shaft.

It is important that hold open devices deactivate on operation of the fire alarm therefore some buildings will need automatic fire detection to be installed. Electrically operated hold open devices should therefore deactivate on operation of:

- an automatic fire alarm system designed and installed in accordance with BS 5839: Part 1: 2017 (Category L5) determined on the basis of a risk assessment
- any loss of power to the hold open device, apparatus or switch, and
- a manually operated switch fitted in a position at the door.

An example of a Category L5 fire alarm system could be a system installed in the common corridor of flats incorporating only 2 smoke detectors, one installed on each side of the door and positioned not less than 500mm and not more than 3m from the door.

Additional guidance on the siting and coverage of fire detectors is contained in BS 5839: Part 1: 2017, and for actuation of door release mechanism, see BS 7273: Part 4: 2015.

A chimney or flue-pipe should be constructed so that, in the event of a fire, the fire resistance duration of the separating wall or separating floor is maintained.

A service opening (other than a ventilating duct) which penetrates a separating wall or separating floor should be fire stopped providing at least the appropriate fire resistance duration for the wall or floor. This may be provided by:

- a casing which has at least the appropriate fire resistance duration from the outside, or
- a casing which has at least half the appropriate fire resistance duration from each side, or
- an automatic heat activated sealing device that will maintain the appropriate fire resistance duration in respect of integrity for the wall or floor regardless of the opening size.

Fire stopping of the following services passing through a separating wall or separating floor need not be provided for:

- a pipe or a cable with a bore, or diameter, of not more than 40mm, or

- not more than four 40mm diameter pipes or cables that are at least 40mm apart and at least 100mm from any other pipe, or
- more than four 40mm diameter pipes or cables that are at least 100mm apart, or
- a pipe which has a bore of not more than 160mm and is of iron, steel or copper, or of a material capable of withstanding 800°C without allowing flames or hot material to pass through the wall of the pipe, or
- a branch pipe of a bore of not more than 110mm connected to a vertical drainage or water service pipe, constructed from aluminium, aluminium alloy, or uPVC to BS 4514: 2001.

Where a pipe connects to another pipe which attracts a more demanding fire resistance duration, and is within 1m from the separating wall or separating floor, the pipe should be fire stopped to the more demanding guidance.

Ventilation systems - the potential for ventilation systems to allow the spread of fire and smoke should be considered. A mechanical ventilation system may contribute to the spread of fire and smoke unless it is designed to shut down automatically or operate in a fire-mode if fire is detected. Ventilation ductwork passing through a separating wall or separating floor should be provided with either:

- fire dampers
- fire resisting enclosures, or
- fire rated ductwork.

Ventilation ductwork should be designed and installed in accordance with BS 5588: Part 9: 1999. Section 6 of BS 5588: Part 9: 1999 (excluding the third paragraph to clause 6.3.3.2.2) provides guidance on design and construction including fire resisting enclosures, fire resisting ductwork and the use and activation of fire dampers.

Fire-stopping - may be necessary to close an imperfection of fit or design tolerance between construction elements and components, service openings and ventilation ducts. Proprietary fire-stopping products, including intumescent products, should be tested to demonstrate their ability to maintain the appropriate fire resistance duration under the conditions appropriate to their end use.

Where minimal differential movement is anticipated, either in normal use or during fire exposure, proprietary fire-stopping products may be used. The following materials are also considered appropriate: cement mortar; gypsum based plaster; cement or gypsum based vermiculite/perlite mixes; mineral fibre; crushed rock and blast furnace slag or ceramic based products (with or without resin binders).

Where greater differential movement is anticipated, either in normal use or during fire exposure, proprietary fire-stopping products should be used.

To prevent displacement, products used for fire-stopping should be reinforced with, or supported by, products which achieve European Classification A1 or A2 where the unsupported span is more than 100mm and where non-rigid products are used. However this is not necessary where it has been shown by test that the products are satisfactory within their field of application.

2.2.10 Junctions

General - the basic principle is that junctions between separating walls and separating floors and other parts of the building should be designed and constructed to minimise the risk of a fire in one part of the building flanking the separating wall or separating floor and entering another part of the building under different occupation, including any solum space

or roof space. Therefore, the building elements, materials or components should not be built into, or carried through or across the ends of, or over the top of a separating wall in such a way as to impair the fire resistance duration between the relevant parts of the building.

Technical assessments are often required when designing or verifying the fire performance of junction details. The 'Guide to Undertaking Technical Assessments of Fire Performance of Construction Products Based on Fire Test Evidence' (Passive Fire Protection Forum, 2021) provides advice including the competency of those undertaking technical assessments linked to levels of complexity. The guidance promotes effective fire safety design to ensure the reliability and quality of passive fire protection materials and systems. The guide also encourages third party certification schemes for the manufacture, installation, inspection and maintenance of products and systems, and relates to the provision of technical assessments that can extend the scope of design and application of a passive product or system by providing a robust and competent approach to technical assessments.

Junctions with walls - Where a separating wall or separating floor forms a junction with an external wall, another separating wall, or a wall or screen used to protect routes of escape (see clause 2.0.6), the junction should maintain the fire resistance duration of the separating wall or separating floor.

Where a separating wall or floor or protected route of escape abuts a structure containing a cavity, a fire barrier or barriers should be installed in the cavity so as to extend the line, and maintain the fire resistance duration, of the wall or floor. This principle also applies where an external wall cladding system is constructed from materials having a European Classification A1 or A2 (other than between two leaves of masonry as described below). For example, in a rendered external thermally insulated cladding system where the insulation achieves European Classification B, C, D, E or F, a fire barrier or barriers should be provided on the line of the separating wall or floor. The barrier should extend from the wall/floor to the inner surface of the render (this may require an intumescent barrier within any drainage cavity that may be present). The guidance in this clause does not apply where the external wall is formed by two leaves of masonry or concrete where both leaves are at least 75mm thick and the external wall is provided with cavity barriers around all openings and at the top of the wall-head.

There are merits in testing products in a large scale façade fire test to assess how the individual components perform in a complete assembly when exposed to a severe fire emanating from a window or door opening (see annex 2B).

Junctions with roofs - where a separating wall forms a junction with a roof, the junction should maintain the fire resistance duration of the separating wall in accordance with the following:

- where the roof has a combustible substrate, the wall should project through the roof to a distance of at least 375mm above the top surface of the roof, or
- where the wall is taken to the underside of a roof substrate which achieves European Classification A1 or A2, the junction should be fire stopped and the roof covering should be low vulnerability (see guidance to Standard 2.8) for a distance of at least 1.7m to each side of the centre-line of the wall, or
- in the case of a pitched roof covered by slates nailed directly to sarking and underlay, the junction between the sarking and wall-head should be fire-stopped as described in BRE Housing Defects Prevention Unit "Defect Action Sheet (Design)" February 1985 (DAS 8), or
- in the case of a pitched roof covered by slates or tiles fixed to tiling battens and any counter-battens, the junction between the tiles or slates and the underlay should be fully bedded in cement mortar (or other fire-stopping material) at the wall-head.

2.3 Structural protection

Mandatory Standard

Standard 2.3

Every building must be designed and constructed in such a way that in the event of an outbreak of fire within the building, the load-bearing capacity of the building will continue to function until all occupants have escaped, or been assisted to escape, from the building and any fire containment measures have been initiated.

2.3.0 Introduction

In order to prevent the premature collapse of the load-bearing structural elements of a building, appropriate levels of fire resistance duration (see annex 2.A) should be provided to all element of structure. The purpose of structural fire protection is:

- to minimise the risk to the occupants, some of whom may not evacuate the building immediately, and
- to reduce the risk to fire-fighters who may be engaged in fire-fighting or rescue operations.

An element of structure may perform more than one function and it is important that the appropriate guidance related to the different standards is followed.

The added benefit to structural fire protection means that the risk to people in the vicinity of the building or in adjoining buildings from collapse of the structure is reduced.

An element of structure is part of a building which is part of a structural frame (beams and columns), load-bearing (other than part which is only self load-bearing), a floor, or supports a floor. An example of part of the structure that is only self load-bearing could be a lintel in a non load-bearing wall. A roof structure should not be considered as an element of structure unless the roof provides support to an element of structure or which performs the function of a floor.

Conversions - in the case of conversions, as specified in regulation 4, the building as converted shall meet the requirement of this standard (regulation 12, schedule 6).

2.3.1 Element of structure

It is essential that during a fire the elements of structure should continue to function. They should remain capable of supporting and retaining the fire protection to floors, escape routes and fire access routes, until all occupants have escaped, been assisted to escape or rescued by the fire and rescue service. In practice, the fire and rescue service could remain in the building long after it has been evacuated. For this reason, an additional level of protection is built into the guidance for domestic buildings that varies depending on the height of the topmost storey of the building.

Table 2.1 Protection of Structural Elements

Height of topmost storey above ground level	Fire resistance duration
Not more than 7.5m	short

Height of topmost storey above ground level	Fire resistance duration
More than 7.5m but not more than 18m	medium
More than 18m but not more than 60m	long [1]

Additional information:

1. An intermediate floor or floors within a flat or maisonette need only have short fire resistance duration provided the floor or floors do not support or provide lateral restraint to any part of the structure with a medium or long fire resistance duration.

However the following elements of structure need not be provided with any fire resistance duration for structural protection:

- an element of structure in a single storey building which does not form part of, or provide support to, a separating wall, a wall or screen used to protect routes of escape (see clause 2.0.6) or an external wall which attracts a fire resistance duration (see guidance to Standard 2.6)
- a gallery floor other than a gallery floor which is wholly or partly enclosed below
- the lowest floor of a building.

2.3.2 Combustibility

An element of structure in a building (other than a high rise domestic buildings) may be constructed from combustible material provided the construction achieves the appropriate fire resistance duration.

However, where an element of structure provides support to another element of structure (or a protected route of escape, see clause 2.0.6) which should be constructed from products that achieve European Classification A1 or A2, the supporting element of structure should also be constructed from products that achieve European Classification A1 or A2 (see annex 2.B).

2.3.3 Supporting structure

Where an element of structure provides support to another element of structure (or provides support to a protected route of escape) which attracts a higher period of fire resistance duration, the supporting element of structure should have at least the same period of fire resistance duration.

2.3.4 Openings and service penetrations

In general, openings and service penetrations in element of structure need not be protected from fire unless there is the possibility of structural failure. However where a large opening or a large number of small openings are formed, careful detailing particularly at the edge of the opening or service penetration should be carried out in order to maintain the load-bearing capacity of the element of structure. If in doubt, edge protection should be provided.

2.3.5 Junctions

The detailing of junctions between relevant parts of a building is described in clauses 2.2.10, 2.4.7 and 2.9.21. Fire-stopping of other junctions is generally not necessary. The important criteria to consider is the ability of the element of structure to maintain its load-bearing capacity in a fire in accordance with clause 2.3.1.

2.4 Cavities

Mandatory Standard

Standard 2.4

Every building must be designed and constructed in such a way that in the event of an outbreak of fire within the building, the spread of fire and smoke within cavities in its structure and fabric is inhibited.

2.4.0 Introduction

Fire and smoke spread in cavities is particularly hazardous because fire can spread quickly throughout a building and remain undetected by the occupants of the building or by fire and rescue service personnel. Ventilated cavities generally promote more rapid fire spread around the building than unventilated cavities due to the plentiful supply of air. Buildings containing sleeping accommodation pose an even greater risk to life safety and demand a higher level of fire precautions. For these reasons, it is important to control the size of cavities and the surfaces exposed in the cavity.

The guidance for protection to cavities should not be assessed in isolation and reference should be made to the guidance to Standard 2.2 for separation, Standard 2.6 for spread to adjoining buildings and the guidance to Standard 2.7 for fire spread on external walls.

A cavity is a concealed space enclosed by elements of a building (including, for example, the void above a suspended ceiling) or contained within a building element, but not a room, cupboard, circulation space, stair enclosure, lift well, chimney or a space within a chute, duct, pipe or conduit. For the purposes of this guidance, a cavity includes a roof space, a service riser or any other space used to run services around the building.

Reference to surfaces in a cavity is intended to include the surface of the enclosing envelope of the cavity (including insulation material) but excludes timber roof trusses or lintols, joist ends, pipes, conduits or cables.

Conversions - in the case of conversions, as specified in regulation 4, the building as converted shall meet the requirements of this standard in so far as is reasonably practicable, and in no case be worse than before the conversion (regulation 12, schedule 6).

2.4.1 Cavity barriers

A cavity barrier means any construction provided to seal a cavity against the penetration of fire and smoke or to restrict its movement within the cavity.

In order to inhibit fire spread in a cavity, every cavity within a building should have cavity barriers with at least a short fire resistance duration (see annex 2.A) installed around the edges of the cavity. This includes for example, around the head, jambs and sill of an external door or window opening. A cavity barrier should also be installed between a cavity and any other cavity or between a roof space and any other roof space.

However cavity barriers are not necessary at a junction between two cavity walls each comprising two leaves of masonry or concrete where both leaves are at least 75mm thick.

Sealing cavities can sometimes create difficulties, especially where construction techniques rely on through ventilation of the cavity (see Section 3 Environment) or where the detailing should take into account the effect of thermal bridging (see Section 6 Energy).

In an external wall, open state intumescent cavity barriers may be used to inhibit fire and smoke spread and seal the cavity. It is recognised that smoke will spread beyond the cavity barrier at the incipient and early fire growth phases prior to the intumescent material reacting to heat but this is not considered to be a major concern as the cavity is ventilated to atmosphere.

2.4.2 Dividing up cavities

Cavities should be measured either horizontally or vertically, as the case maybe, along the centre-line of the cavity and not diagonally.

Every cavity should be divided by cavity barriers so that the maximum distance between cavity barriers is not more than 20m where the cavity has exposed surfaces which achieve European Classification A1, A2 or B, or 10m where the cavity has exposed surfaces which achieve European Classification C, D, E or F.

Exclusions - cavity barriers are not necessary to divide a cavity:

- a. formed by two leaves of masonry or concrete where both leaves are at least 75mm thick, or
- b. in a ceiling void between a floor and a ceiling constructed in accordance with the guidance in clause 2.4.3, or
- c. between a roof and a ceiling constructed in accordance with the guidance in clause 2.4.3, or
- d. below a floor next to the ground where the cavity is either inaccessible or is not more than 1m high.

2.4.3 Fire resisting ceilings as an alternative to cavity barriers

Where a ceiling is provided as an alternative to cavity barriers as in clauses 2.4.2b and 2.4.2c, the ceiling should have a short fire resistance duration, and be constructed in accordance with the following recommendations:

- the ceiling should not be easily demountable
- openings and service penetrations in the ceiling should be protected in accordance with clause 2.2.9
- the ceiling lining should be constructed in accordance with the guidance to Standard 2.5
- the ceiling may contain an access hatch which, when closed, will maintain the fire resistance duration of the ceiling.

2.4.4 Cavities in external walls of domestic buildings with a storey at a height of 11m or more above the ground

Fire-fighters may not be able to apply a water jet from a fire-fighting hose directly onto a fire that has spread within an external wall or onto an external wall. This is because the external wall is either inaccessible or is too high above the ground to be within the reach capability of fire-fighting equipment such as hydraulic platforms or turntable ladders, therefore, the construction of external walls should not contribute to the development of fire or contribute to fire spread within cavities or vertical fire spread up the facade of the building. Fire-fighters may require to cut holes in the external envelope of a building in

order to gain access to the cavity to extinguish or control fire spread in the cavity. This can be particularly challenging when the cavity is ventilated and the surfaces exposed in the cavity promote rapid fire spread. See also the guidance to Standard 2.2, Standard 2.6 and Standard 2.7.

Therefore, in a domestic building with a storey at a height of 11m or more above the ground, thermal insulation material situated or exposed within an external wall cavity, or in a cavity formed by an external wall cladding system, must be constructed of products which achieve European Classification A1 or A2 (see annex 2.B). However, this does not apply to insulation in a cavity that is between two leaves of masonry or concrete where both leaves are at least 75mm thick and the external wall is provided with cavity barriers around all openings and at the top of the wall-head.

2.4.5 Supporting structure

A cavity barrier should be fixed so that its performance is not affected by:

- movement of the building due to subsidence, shrinkage or thermal collapse in a fire of any services penetrating it
- failure in a fire of its fixings, or
- failure in a fire of any material or element of structure which it abuts.

However where a cavity barrier is installed in a roof space, there is no need to protect roof members that support the cavity barrier.

2.4.6 Openings and service penetrations

A cavity barrier and a ceiling provided as an alternative to a cavity barrier may contain a self-closing fire door (or a hatch in the case of a ceiling), or a service opening constructed in accordance with the guidance in clause 2.2.9.

2.4.7 Junctions

All cavity barriers should be tightly fitted to rigid construction. Where this is not possible as in the case of a junction with tiles, corrugated sheeting or other forms of construction containing a cavity, the fire performance of the junction should be maintained. The guidance to standard 2.2 including fire barriers and fire stopping may be used to satisfy standard 2.4.

2.5 Internal linings

Mandatory Standard

Standard 2.5

Every building must be designed and constructed in such a way that in the event of an outbreak of fire within the building, the development of fire and smoke from the surfaces of walls and ceilings within the area of origin is inhibited.

2.5.0 Introduction

The building contents are likely to be the first items ignited in a fire and are beyond the scope of this guidance. Materials used in walls and ceilings can however significantly affect

the spread of fire and its rate of growth. Fire spread on internal linings in escape routes is particularly important because rapid fire spread in protected zones and unprotected zones could prevent the occupants from escaping.

The use of highly combustible metal composite material panels referred to and defined in Regulation 8 of the Building (Scotland) Amendment Regulations 2022 is prohibited.

Conversions - in the case of conversions, as specified in regulation 4, the building as converted shall meet the requirement of this standard (regulation 12, schedule 6).

2.5.1 Internal linings

Wall and ceiling surfaces mean the substrate or lining material including any treatment thereof to restrict flame spread, but excludes any decorative wallpaper or paints. Whilst it is accepted that such wallpaper or paints are not controlled by the guidance, multiple layers applied to the face of a wall or ceiling surface can increase flame spread and hence the fire growth rate. For this reason, multiple layers are not recommended when carrying out refurbishment work involving the re-decoration of wall and ceiling surfaces.

A protected zone should have wall and ceiling surfaces which achieve European Classification A1, A2 or B (see annex 2.B).

A room, unprotected zone or protected enclosure should have wall and ceiling surfaces with a reaction to fire no worse than European Classification C.

Limitations on higher risk surfaces - a room (other than a kitchen) not more than 4m² may have wall and ceiling linings with a European Classification D. In a room (other than a kitchen) more than 4m² the wall surfaces may also have a European Classification D subject to a maximum of 20m² where the total area of European Classification D products is not more than half the floor area of the room.

2.5.2 Assessment of linings

Wall and ceiling linings should be assessed for their reaction to fire characteristics.

Wall linings - the following wall surfaces should be included in the assessment:

- glazing except glazing in doors, and
- any part of a ceiling which slopes at an angle of more than 70° to the horizontal.

However the following surfaces need not be taken into account:

- doors and door frames
- window frames and frames in which glazing is fitted
- skirtings and facings, cover moulds, picture rails, and similar narrow members, or
- fireplace surrounds, mantle shelves and fitted furniture.

Ceiling linings - the following ceiling surfaces should be included in the assessment:

- the surface of glazing, and
- any part of a ceiling which slopes at an angle of 70° or less to the horizontal.

However the following need not be taken into account:

- ceiling hatches and their frames, and
- the frames of windows or rooflights and the frames in which glazing is fitted, or

- facings, cover moulds, picture rails, and similar narrow members.

2.5.3 Plastic glazing

External windows and internal glazing to rooms (but not to protected zone or unprotected zones) may be fitted with plastic glazing materials which are:

- rigid solid PVC (uPVC), or
- polycarbonate rigid solid sheet at least 3mm thick, or
- multi-skin polycarbonate sheet at least 10mm thick overall which achieves European Classification B or C.

2.5.4 Thermoplastic material

Thermoplastic materials in ceilings, rooflights and lighting diffusers provide a significant hazard in a fire. Burning droplets can rapidly increase the fire growth rate and the smoke produced is normally dense and toxic which combine to produce extremely hazardous conditions. For these reasons, thermoplastic material should not be used in protected zones or fire-fighting shafts. However thermoplastic materials may still be used with limited application for some ceilings (see clause 2.5.5), rooflights (see clause 2.5.6) or light fittings with diffusers (see clause 2.5.7).

A thermoplastic material means any synthetic material that has a softening point below 200° C when tested in accordance with BS EN ISO 306: 2004 Method A120 Plastics - Thermoplastic Materials - Determination of Vicat softening temperature.

Rigid Thermoplastic TP(a) rigid means:

- rigid solid (solid as distinct from double or multiple-skin) polycarbonate sheet at least 3mm thick, or
- multi-skinned rigid sheet made from unplasticised pvc or polycarbonate which has European Classification B or C for reaction to fire, or
- any other rigid thermoplastic product, a specimen of which (at the thickness of the product as put on the market), when tested in accordance with Method 508A in BS 2782: 2004 performs so that the test flame extinguishes before the first mark, and the duration of flaming or afterglow does not exceed 5 seconds following removal of the burner.

Flexible Thermoplastic TP(a) flexible means:

- flexible products not more than 1mm thick which satisfy the Type C provisions of BS 5867: Part 2: 1980 (1993) when tested in accordance with Test 2 in BS 5438: 1989 (1995) with the flame applied to the surface of the specimens for 5, 15, 20 and 30 seconds respectively, but excluding cleansing procedure.

Semi-rigid Thermoplastic TP(b) semi-rigid means:

- a rigid solid polycarbonate sheet product not more than 3mm thick, or multiple-skin polycarbonate sheet products which do not qualify as TP(a) by test, or
- other products which, when a specimen of the material more than 1.5mm and not more than 3mm thick is tested in accordance with Method 508A in BS 2782: 2004, has a rate of burning which is not more than 50mm/minute.

2.5.5 Thermoplastic materials in ceilings

A ceiling constructed from thermoplastic materials, either as a suspended or stretched skin membrane with a TP(a) flexible classification should be supported on all its sides and each

panel should not exceed 5m^2 . However this does not apply to a ceiling which has been satisfactorily tested as part of a fire resisting ceiling system. A ceiling with a TP(a) flexible classification should not be installed in the ceiling of a protected zone or fire-fighting shaft.

Subject to the recommendations in clauses 2.5.6 and 2.5.7, the use of thermoplastic materials with a TP(a) rigid or TP(b) semi-rigid classification is unlimited.

2.5.6 Thermoplastic materials in rooflights

Thermoplastic materials (other than TP(a) flexible) may be used in rooflights subject to the recommendations in the table and diagram below.

Thermoplastic rooflights should also be constructed in accordance with the guidance to Standard 2.8.

2.5.7 Thermoplastic materials in light fittings with diffusers

Thermoplastic materials may be used in light fittings with diffusers. Where the lighting diffuser forms an integral part of the ceiling, the size and disposition of the lighting diffusers should be installed in accordance with the table and diagram below.

However where the lighting diffuser form an integral part of a fire-resisting ceiling which has been satisfactorily tested, the amount of thermoplastic material is unlimited.

Where light fittings with thermoplastic diffusers do not form an integral part of the ceiling, the amount of thermoplastic material is unlimited provided the lighting diffuser is designed to fall out of its mounting when softened by heat.

Table 2.2 Thermoplastic rooflights and light fittings with diffusers

	Protected zone or fire-fighting shaft	Unprotected zone and protected enclosure		Room		
		TP(a) rigid	TP(a) flexible and TP(b)	TP(a) rigid	TP(a) flexible and TP(b)	TP(b)
Classification of lower surface	Any thermo-plastic	TP(a) rigid	TP(a) flexible and TP(b)	TP(a) rigid	TP(a) flexible and TP(b)	TP(b)
Maximum area of each diffuser panel or rooflight (m^2)	Not advised	No limit	5m^2	No limit	5m^2	1m^2
Maximum total area of diffuser panels or rooflights as a percentage of the floor area of the space in which the ceiling is located (%)	Not advised	No limit	15%	No limit	50%	50%
Minimum separation distance between diffuser panels or rooflights (m)	Not advised	No limit	3m	No limit	3m	A distance equal to the largest plan dimension of the largest

	Protected zone or fire-fighting shaft	Unprotected zone and protected enclosure		Room		
Classification of lower surface	Any thermo-plastic	TP(a) rigid	TP(a) flexible and TP(b)	TP(a) rigid	TP(a) flexible and TP(b)	TP(b)
						diffuser or rooflight (see figure 2.2)

Additional information:

1. Smaller panels can be grouped together provided that the overall size of the group and the space between any others, satisfies the dimensions shown in figure 2.1 below.
2. The minimum 3m separation in the diagram below should be maintained between each 5m² panel. In some cases therefore, it may not be possible to use the maximum percentage quoted.
3. TP(a) flexible is not recommended in rooflights.

Figure 2.1 Layout restrictions on thermoplastic rooflights and light fittings with diffusers

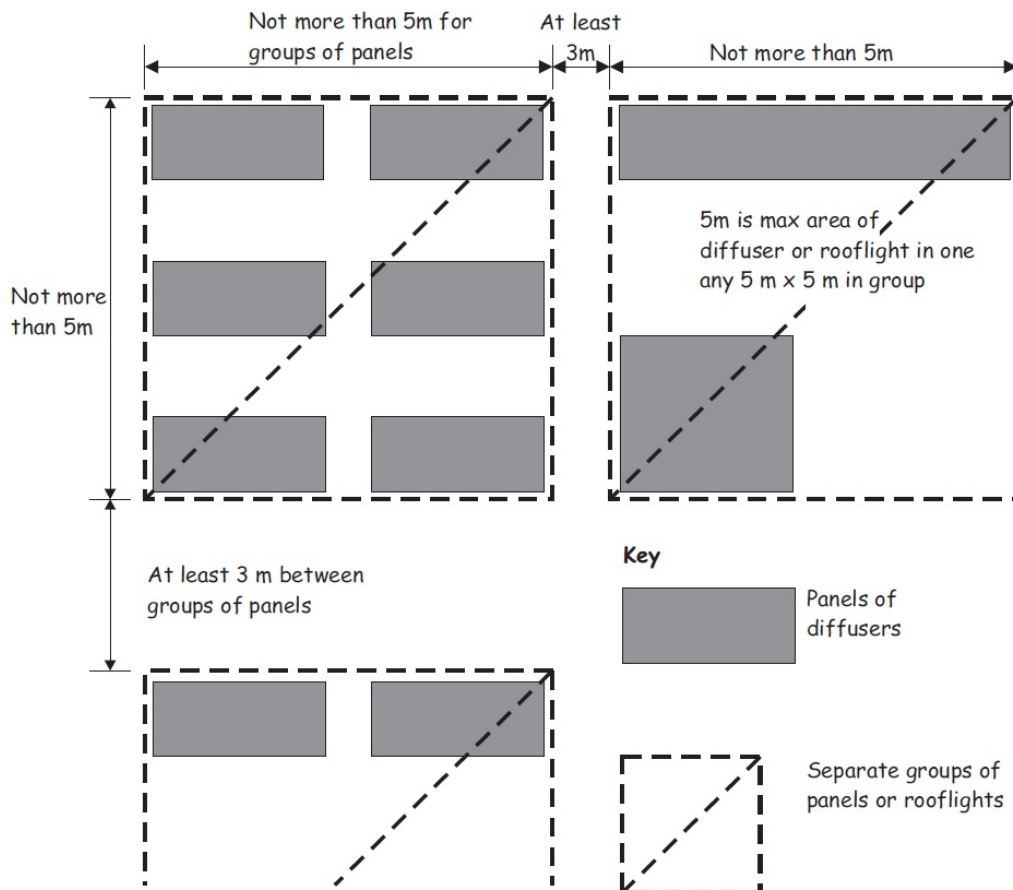
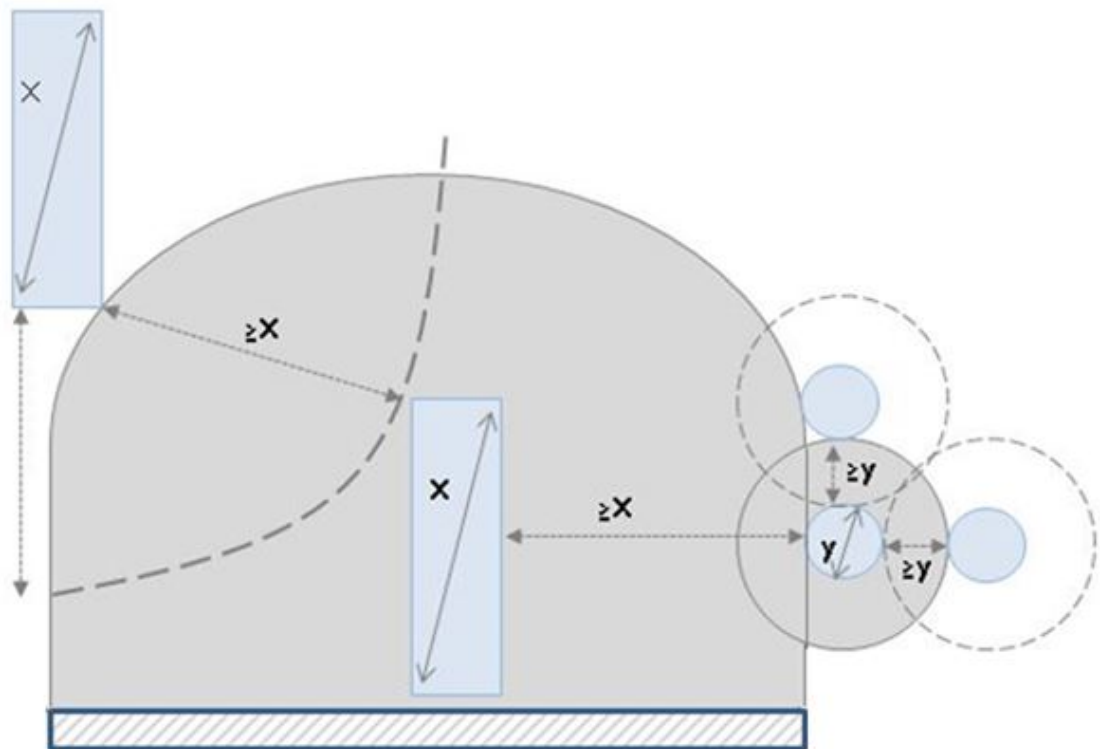


Figure 2.2 Layout restrictions on small TP(b)rooflights and light fittings with diffusers



Additional information:

1. X = Maximum dimension of the largest diffuser or rooflight above.
2. Y = Maximum dimension of the smallest diffuser or rooflight above.

2.5.8 Sandwich panels

A sandwich panel is a factory-made, non load-bearing component of a wall, ceiling or roof consisting of a panel having an insulated core filling the entire area between sheet metal outer facings, which may or may not have decorative and/or weatherproof coatings.

A sandwich panel used for internal walls or linings should achieve European Classification A1 or A2.

2.6 Spread to neighbouring buildings

Mandatory Standard

Standard 2.6

Every building must be designed and constructed in such a way that in the event of an outbreak of fire within the building, the spread of fire to neighbouring buildings is inhibited.

2.6.0 Introduction

In order to reduce the danger to the occupants of other buildings, one building should be isolated from another by either construction or distance. The distance between a building and its relevant boundary is dictated by the amount of heat that is likely to be generated in the event of fire. This will be influenced by the extent of openings or other unprotected areas in the external wall of the building.

The guidance for fire spread to neighbouring buildings should not be assessed in isolation and reference should be made to the guidance to Standard 2.4 for fire spread in cavities and the guidance to Standard 2.7 for fire spread on external walls.

The use of highly combustible metal composite material panels referred to and defined in Regulation 8 of the Building (Scotland) Amendment Regulations 2022 is prohibited.

Conversions - in the case of conversions, as specified in regulation 4, the building as converted shall meet the requirements of this standard in so far as is reasonably practicable, and in no case be worse than before the conversion (regulation 12, schedule 6).

2.6.1 Fire resistance duration of external walls

Apart from unprotected areas, as described in clause 2.6.2, external walls should have:

- short fire resistance duration, if more than 1m from the boundary, or
- medium fire resistance duration, if not more than 1m from the boundary.

However short fire resistance duration is sufficient even if not more than 1m from the boundary, for the following:

- a detached building ancillary to a dwelling comprising a garden hut or store, or a building for keeping animals, birds or other livestock for domestic purposes
- a conservatory or porch attached to a dwelling, or
- a garage wall.

Fire resistance duration need not be provided for a building ancillary to a dwelling, comprising a carport, covered area, greenhouse, summerhouse, or swimming pool enclosure unless the building contains oil or liquefied petroleum gas fuel storage (see section 3 and section 4).

2.6.2 Unprotected area

An unprotected area means any part of an external wall (including a door or window opening) which does not attain the appropriate fire resistance duration as recommended in the table to clause 2.6.1.

An unprotected area does not include a fixed unopenable window where the frame and glazing has the appropriate fire resistance duration. Any wallhead fascia, soffit or barge board, or any cavity vents or solum vents may also be excluded from the unprotected area calculation (for external wall cladding see clause 2.6.4).

Up to 500mm from boundary - where the external wall of a building is not more than 500mm from the boundary there should be no unprotected area, other than any wallhead fascia, soffit or barge board, or any cavity vents or solum vents.

Up to 1m from boundary - where the external wall of a building is more than 500mm but not more than 1m from the boundary, the level of unprotected area is limited to:

- the external wall of a protected zone
- an area of not more than 0.1m^2 , which are at least 1.5m from any other unprotected area in the same wall
- an area of not more than 1m^2 , which are at least 4m from any other unprotected area in the same wall (the 1m^2 unprotected area may consist of two or more smaller areas which when combined do not exceed an aggregate area of 1m^2).

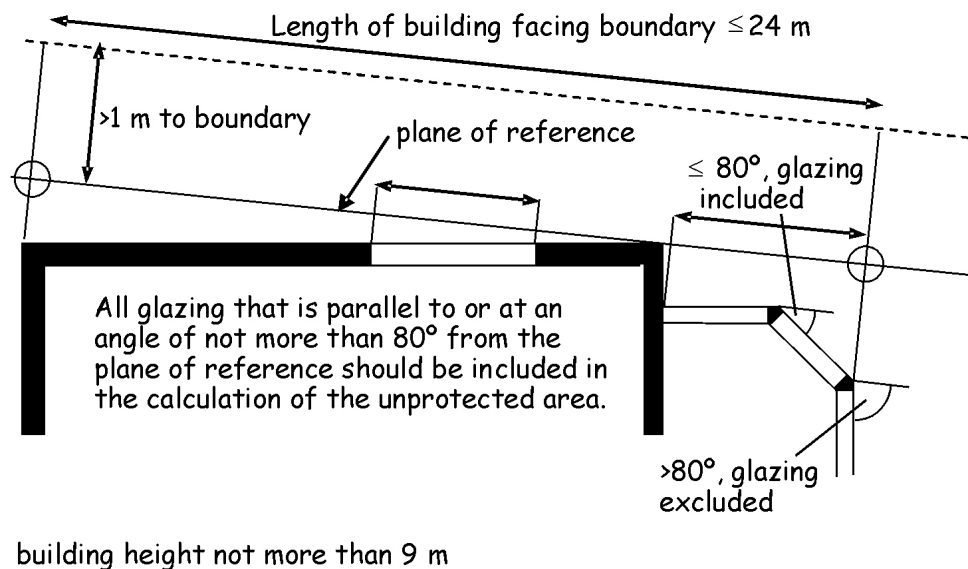
2.6.3 The simple geometry method

More than 1m from boundary - where the external wall of a building is more than 1m from the boundary the amount of unprotected area (in square metres) may be equivalent to six times the distance (in metres) to the boundary. Therefore if the distance to the boundary is at least 1m, the unprotected area should not exceed 6m^2 , if the distance to the boundary is at least 2m, the unprotected area is 12m^2 , and so on.

Where the external wall of a building is more than 6m from the boundary, the amount of unprotected area is unlimited.

The use of the simple geometry method described above is limited to buildings which are more than 1m from the boundary, not more than 9m in height, and the length of the side of the building facing the boundary is not more than 24m. Any external side of a building which makes an angle of more than 80° with the plane of reference can be ignored in the calculation of unprotected area. The diagram below provides a typical example of a conservatory attached to a house.

Figure 2.3 Conservatory example



Where a domestic building exceeds these limits, reference could be made to the Enclosing Rectangle Method (Table B) contained in the non-domestic guidance document or the Building Research Establishment Report 'External fire spread: building separation and boundary distances' (BR 187, 1991). In these cases, for the purpose of calculating the enclosing rectangle, a separating wall or separating floor should be regarded as a compartment wall or compartment floor.

2.6.4 External wall cladding

External wall cladding may contribute to the radiant heat flux from a fire and should be considered when calculating the amount of unprotected area. Additional guidance on external wall cladding systems is provided in the guidance to Standards 2.2, 2.4, 2.7 and annex 2.B.

All situations – The use of highly combustible metal composite material panels referred to and defined in Regulation 8 of the Building (Scotland) Amendment Regulations 2022 is prohibited.

Not more than 1m from a boundary - External wall cladding not more than 1m from a boundary should achieve a European Classification A1 or A2 and can be excluded from the calculation of unprotected area.

More than 1m from a boundary - Fire within the building may break out through a window or door opening and as a consequence, the cladding, once ignited, would contribute to the heat generated from the fire. Therefore where the cladding is more than 1m from a boundary and is constructed from products more than 1mm thick that has European Classification B, C, D or E (as described in annex 2.B), the cladding should be included in the calculation of unprotected area.

Storey height 11m or more above the ground - Regardless of the distance from the boundary, any external wall cladding system attached to a domestic building with a storey height 11m or more above the ground must be constructed from products which achieve European Classification A1 or A2 (Also, see guidance to standards 2.2, 2.4, 2.7 and annex 2.B).

Houses – External wall cladding to a house (other than a house with a storey at a height of 11m or more above the ground) need not achieve European Classification A1 or A2 where the external wall has the appropriate fire resistance duration and the cladding achieves European Classification B. In such cases the cladding may be excluded from the unprotected area calculation regardless of openings.

2.6.5 Combustibility

Every part of an external wall including an external wall cladding system (see clause 2.7.1 and annex 2.B) not more than 1m from a boundary or the external wall of a high rise domestic building, should be constructed from products which achieve European Classification A1 or A2. This does not apply to insulation exposed in a cavity that is between two leaves of masonry or concrete where both leaves are at least 75mm thick, and which has a cavity barrier around all openings in the wall and at the top of the wall-head.

However a structural frame and any thermal insulation material in the frame not more than 1m from a boundary may be constructed from combustible products provided:

- no storey height is more than 18m, and
- the recommendations in clauses 2.6.1 and 2.6.2 have been followed, and
- any external wall cladding system (see clauses 2.6.4, 2.7.1 and annex 2.B) is constructed from products which achieve European Classification A1 or A2.

See the guidance to Standards 2.2, 2.4 and 2.7 for additional guidance in relation to cavities and external wall cladding systems.

2.6.6 Supporting structure

Where an element of structure provides support to an external wall (including external wall cladding) which has a fire resistance duration (as recommended in the guidance to clauses

2.6.1 and 2.6.2) the supporting element of structure should also have at least the same fire resistance duration.

2.7 Spread on external walls

Mandatory Standard

Standard 2.7

Every building must be designed and constructed in such a way, having regard to the height, use and position of the building, that in the event of an outbreak of fire within the building, or from an external source, the spread of fire on the external walls of the building is inhibited.

2.7.0 Introduction

There is a risk of fire spread on the external walls of a building. Fire could break out through a window or door opening and spread onto the external walls. External walls close to the boundary are also at risk as they may be exposed to direct flame impingement or radiant heat flux from a fire in an adjoining building or other external source.

The use of highly combustible metal composite material panels referred to and defined in Regulation 8 of the Building (Scotland) Amendment Regulations 2022 is prohibited.

Vertical and horizontal fire spread between dwellings should be inhibited by the construction of separating walls and floors and the provision of fire barriers and cavity barriers. See guidance to Standards 2.4 and 2.7.

Fire-fighters may not be able to apply a water jet from a fire-fighting hose directly onto a fire that has spread onto or within an external wall high above the ground. This is because the external wall is either inaccessible or is out with the reach capability of fire-fighting equipment. Therefore, the construction of external walls in taller buildings should not contribute to the development of fire or contribute to vertical fire spread up the facade of the building. The 11m storey height in clause 2.7.1 and clause 2.7.2 is based on the reach capability of a fire and rescue service ground mounted water jet where there is sufficient pressure and flow in the water main. Designers are encouraged to seek early advice from the fire and rescue service if they wish to vary from the guidance where, for example, the facade is accessible to high reach appliances. Also, see Regulation 8 and annex 2.B for exceptions.

The guidance for fire spread on external walls should not be assessed in isolation and reference should be made to the guidance to Standard 2.4 for fire spread in cavities and the guidance to Standard 2.6 for fire spread to neighbouring buildings.

The Building Standards Futures Board has been established to improve the performance, expertise, resilience and sustainability of the Scottish building standards system. A key work stream currently under development is the creation of a Compliance Plan to ensure that designs, receiving a building warrant, are constructed in accordance with the building regulations and approved drawings. External wall cladding systems and specified attachments are considered safety critical features. In the interim, documented evidence of proof of compliance should be submitted to the local authority verifier which demonstrates that the system as approved has been constructed in accordance with the building warrant.

Conversions - in the case of conversions, as specified in regulation 4, the building as converted shall meet the requirements of this standard in so far as is reasonably

practicable, and in no case be worse than before the conversion (regulation 12, schedule 6).

2.7.1 External wall cladding systems

External wall cladding systems attached to a domestic building or sheltered housing complex having any storey at a height of more than 11m above the ground, must be constructed of products which achieve European Classification A1 or A2, subject to some limited exceptions (see Regulation 8 and annex 2.B).

External wall cladding systems - means non load-bearing components attached to the buildings structure, for example, composite panels, clay or concrete tiles, slates, pre-cast concrete panels, stone panels, masonry, profiled metal sheeting including sandwich panels, rendered external thermally insulated cladding systems, glazing systems, timber panels, weather boarding and ventilated cladding systems. For the purposes of compliance with the building regulations and associated standards, external wall cladding systems also include spandrel panels and infill panels. Many systems incorporate support rails, fixings, thermal insulation, fire barriers and cavity barriers located behind the outer cladding.

Sheathing or backing board - attached to and providing structural support to the frame is not considered to form part of the external wall cladding system. However, where combustible sheathing or backing board is proposed in any building with a storey 11m or more above the ground, a large scale facade fire test should be carried out (see annex 2.B).

Service penetrations - service penetrations such as flues, pipes, ducts or cables are not considered to be components forming part of an external wall cladding system.

All situations - the use of highly combustible metal composite material panels referred to and defined in Regulation 8 of the Building (Scotland) Amendment Regulations 2022 is prohibited.

External wall cladding more than 1m from a boundary may be constructed from combustible products which achieve European Classifications B, C, D or E. This guidance does not apply to domestic buildings having a storey at a height 11m or more above the ground (see Regulation 8 and annex 2.B).

External wall cladding not more than 1m from a boundary should achieve European Classification A1 or A2 except cladding to a house where:

- the cladding achieves a European Classification B,
- the wall behind the cladding has the appropriate fire resistance duration from both sides, and
- the topmost storey is less than 11m above the ground.

2.7.2 Specified attachments

There is a risk of vertical fire spread from specified attachments to an external wall including balconies, solar panels and solar shading. Fire-fighters may not be able to apply a water jet from a fire-fighting hose directly onto a fire that has spread onto specified attachments high above the ground.

Where a relevant building has a storey at a height of 11m or more above the ground, specified attachments must be constructed of products achieving European Classification A1 or A2.

Where a building (other than a relevant building) has a storey at a height of 11m or more above the ground, specified attachments should also be constructed of products achieving European Classification A1 or A2.

Extendable and retractable solar shading products such as awnings and canopies are not considered to be fixed solar shading attachments within the context of Regulation 8.

However, awnings and canopies should still be considered on a risk based approach to assess the potential for vertical fire spread in accordance with Standard 2.7. For example, multiple canopies vertically aligned on every storey of a building having a storey at a height of 11m or more above the ground possess a much greater risk of vertical fire spread compared with an awning or canopy located on the ground or basement storey only.

Signage is not considered to form part of an external wall cladding system or specified attachment.

2.8 Spread from neighbouring buildings

Mandatory Standard

Standard 2.8

Every building must be designed and constructed in such a way that in the event of an outbreak of fire in a neighbouring building, the spread of fire to the building is inhibited.

2.8.0 Introduction

Buildings are at risk from fires starting beyond their boundaries. The area of greatest vulnerability is the roof and there may be a risk of ignition or penetration by burning brands, flames or heat. The degree of protection for roof coverings is dependent upon the distance to the boundary.

A roof covering consists of one or more layer of material such as felt, tiles, slates, sandwich panels etc., but is not intended to include the whole of the roof structure. Solar roof panels should be regarded as forming part of the roof covering and as such should be able to resist ignition from an external source. Most solar panels are glazed and their ability to inhibit fire spread can be determined by the thickness of glass which makes up the panel (see table to annex 2.C).

A roof covering or roof light which forms part of an internal ceiling lining should also follow the guidance to Standard 2.5 Internal linings.

Green roofs have become popular in recent years. Best practice guidance can be found in 'Fire Performance of Green Roofs and Walls' published by the Department of Communities and Local Government.

Conversions - in the case of conversions, as specified in regulation 4, the building as converted shall meet the requirements of this standard in so far as is reasonably practicable, and in no case be worse than before the conversion (regulation 12, schedule 6).

2.8.1 Roof coverings

The possibility of direct flame impingement from neighbouring buildings is greater where the roof covering of the building is close to the boundary. Whilst much will depend on the fire dynamics and the velocity and direction of the wind, burning brands are also likely to

be more intense. For these reasons, the vulnerability of a roof covering is determined in relation to the distance of a building to the boundary.

Not more than 6m from boundary - the roof of a building, including any rooflights, but excluding any wallhead fascia, flashing or trim, boxed gutters, soffit or barge boards, should have a low vulnerability if not more than 6m from the boundary. Common materials that normally attain the criterion include, slates, tiles, glazing, sandwich panels and certain plastic materials as described the table to annex 2.C.

More than 6m but not more than 24m from boundary - the roof of a building, including any rooflights, but excluding any wallhead fascia, flashing or trim, boxed gutters, soffit or barge boards, should have a low or a medium vulnerability if more than 6m but not more than 24m from the boundary. Common materials that normally attain the criterion include felts and certain plastic materials as described in the table to annex 2.C.

More than 24m from boundary - where a building is more than 24m from the boundary, the roof may be of any material, including materials of high vulnerability classification.

2.9 Escape

Mandatory Standard

Standard 2.9

Every building must be designed and constructed in such a way that in the event of an outbreak of fire within the building, the occupants, once alerted to the outbreak of the fire, are provided with the opportunity to escape from the building, before being affected by fire or smoke.

2.9.0 Introduction

If a fire starts in a dwelling, occupants within the dwelling of fire origin should be provided with at least one route of escape through an exit door which leads to a place of safety outside the building. Occupants in dwellings may not be aware of the speed that fire can spread and if they are asleep are more likely to delay their escape. Therefore, it is important that a fire alarm is installed to provide occupants with early warning of fire (see Standard 2.11). In some cases, a fire alarm alone may not be sufficient and a protected route within the dwelling may be necessary due to the height that occupants are located above the ground. Occupants in dwellings located near the ground have the added benefit of access to windows to escape in an emergency.

Once outside flats or maisonettes, occupants may still need to escape through common areas within the building to reach a place of safety. This is termed an 'escape route'. The building should be designed to inhibit fire and smoke spread into the escape route. Where occupants have only one means of escape from the building, automatic smoke ventilation is normally provided to help remove any smoke and heat that may enter the escape route.

Following the outbreak of fire anywhere in the building, there may be residents located in common lounges, communal laundry rooms and solid waste storage rooms. Service engineers may also be working in service spaces, plant rooms and lift machine rooms for example. These occupants should also be provided with the opportunity to escape from the building following a fire. The non-domestic Technical Handbook should be used for guidance on travel distances within ancillary rooms and for escape routes serving such rooms.

In flat accommodation, it is common practice for the fire and rescue service to intervene and commence fire-fighting and rescue operations before all occupants have made their escape to a place of safety. However compliance with Standard 2.9 should reduce the risk of occupants becoming trapped by fire and smoke.

If a fire has accidentally or deliberately been set in the common stair, the escape route may become impassable. In such cases occupants should be able to remain safely inside the building until the fire has burnt itself out or until the fire has been contained and it is safe to use the escape route.

Fire protection measures used to protect routes of escape and to provide a safe refuge include a combination of passive and active protection. Walls, floors, and doors can provide good passive fire protection. Active systems such as automatic detection, automatic smoke ventilation and automatic suppression are designed to activate in the earlier stages of fire development to provide early warning, control heat and smoke and inhibit fire growth. All escape strategies incorporate a combination of passive and active fire protection measures.

Exclusions and obstacles to escape - a lift should not be used for escape because there is a risk that the lift could malfunction during the outbreak of fire. Fire-fighters may use a fire-fighting lift to rescue injured occupants but this is a matter for the fire and rescue service to decide, following a risk assessment at the incident.

Fixed ladders are considered to be too dangerous for residents to use for escape however a fixed ladder may be used from a lift machine room or a plant room provided it is not a place of special fire risk. These rooms will only be used intermittently by engineers who are likely to be familiar with and trained in the use of fixed ladders.

Locking devices on final exit doors and on escape windows should not prevent occupants escaping from the building. The intention is to assist escape, but not to exclude the use of locks or other safety devices (see Section 4 Safety). Permanent obstructions such as fixed security grills should not be used on final exit doors or escape windows.

Conversions - in the case of conversions, as specified in regulation 4, the building as converted shall meet the requirement of this standard (regulation 12, schedule 6).

2.9.1 Escape within dwellings - general principles

The time occupants need to escape varies enormously and is dependent on a number of risk factors including, early warning of fire, the occupant characteristics, the number of exit doors, the area of an individual storey within a dwelling, the height of the topmost storey above the ground or depth of the storey below ground.

Early warning of fire is one of the key fire safety measures to provide occupants with sufficient time to escape from the building before being overcome from the effects of fire and smoke. Sleeping occupants will react more slowly and it is important that they receive the earliest possible warning of the outbreak of fire within the dwelling. Guidance to Standard 2.11 provides recommendations for the installation of fire detection and alarm systems in domestic buildings.

The occupant characteristics in dwellings are wide ranging and therefore impossible to quantify in building standards. The guidance in the Handbooks assumes that the occupants are capable of moving or being moved to a place of safety. For dwellings that require to be licensed as a house in multiple occupation, or where a care service is provided for the occupants, additional fire protection measures may be required to satisfy other legislation (see 2.0 Introduction).

The number of exit doors from a dwelling is important. If every floor in every dwelling has 2 or more exit doors which lead to a place of safety, the risk that occupants could

become trapped by fire and smoke would be low and the fire protection measures would be minimal. However this is not practical to achieve in the majority of cases and as a result, the guidance recommends that every dwelling should be provided with at least 1 exit door.

The area of an individual storey within a dwelling has an impact on the time occupants have available for escape from a fire originating in the dwelling. A dwelling with an individual storey more than 200m² is outside the scope of the guidance (see 2.0 Introduction). In such cases, an alternative approach (see clause 2.0.8) based on the guidance contained in this handbook may be appropriate but the need for additional exits and additional fire protection measures would need to be considered on a case by case basis.

Height of storey above ground - increased height brings extra risk, both in the time needed for escape and the difficulties posed to the fire and rescue service in attempting to assist evacuation, effect rescue or fight fires. Therefore, the fire protection measures increase with the storey height of the building.

Dwellings on sloping sites may have certain rooms located deeper below or higher above the adjacent ground level than other rooms. In such cases, the storey depth below the adjacent ground or storey height above the adjacent ground from each room may be assessed individually and the guidance followed accordingly.

The scope of the guidance is limited to those storeys at a depth of not more than 4.5m below the adjacent ground level and to those buildings with no storey at a height of more than 60m (approximately 20 storeys) above the adjacent ground (see 2.0 Introduction).

2.9.2 Escape within dwellings - options

In the event of an outbreak of fire, every dwelling should be provided with at least one route of escape through an exit door which leads ultimately to a place of safety. The route within a dwelling will normally comprise a combination of rooms and circulation spaces. Where the dwelling has more than one storey such as houses and maisonettes, the occupants may be located on a storey where their only means of escape is by way of a private stair towards the floor of fire origin. The occupants would then need to negotiate the fire floor before reaching the exit door from the dwelling and therefore the guidance recognises the increased risk in multi-storey dwellings.

The following table summarises the recommendations for escape within dwellings. For example, a typical 2 storey house would normally have a topmost storey not more than 4.5m and from the following table should be provided with at least one route of escape through an exit door, early warning (smoke and heat alarms) and escape windows.

Table 2.3 Escape within houses (other than social housing dwellings)

Height of topmost storey above or basement depth below adjacent ground	Summary of Recommendations [1] [2]
Basement storey at a depth of not more than 4.5m (see clause 2.9.3)	At least one escape route, and <ul style="list-style-type: none"> • early warning [3], and • either <ol style="list-style-type: none"> a. escape windows (see clause 2.9.4), or b. alternative exit (see clause 2.9.6)
Not more than 4.5m	At least one escape route, and <ul style="list-style-type: none"> • early warning [3], and

Height of topmost storey above or basement depth below adjacent ground	Summary of Recommendations [1] [2]
	<ul style="list-style-type: none"> • escape windows (see clause 2.9.4)
More than 4.5m but not more than 7.5m [4]	<p>At least one escape route, and</p> <ul style="list-style-type: none"> • early warning [3], and • escape windows (see clause 2.9.4), and • either <ul style="list-style-type: none"> a. protected enclosure (see clause 2.9.5), or b. suppression [5] and enhanced early warning (see clause 2.9.7)
More than 7.5m [4] but not more than 18m [4]	<p>At least one escape route, and</p> <ul style="list-style-type: none"> • early warning [3], and • escape windows (see clause 2.9.4), and • protected enclosure (see clause 2.9.5), and • either <ul style="list-style-type: none"> a. alternative exit (see clause 2.9.6), or b. suppression [5]

Additional information:

1. No storey height more than 18m (see clause 2.0.3).
2. No dwelling with a storey area more than 200m² (see clause 2.0.3).
3. See guidance to Standard 2.11 for early warning systems.
4. See guidance to Standard 2.14 for explanation of 7.5m and 18m trigger heights and additional fire-fighting facilities.
5. See guidance to Standard 2.15 for suppression systems.

Table 2.4 Escape within flats and maisonettes (other than social housing dwellings)

Height of topmost storey above or basement depth below adjacent ground	Summary of Recommendations [1] [2]
Basement storey at a depth of not more than 4.5m (see clause 2.9.3)	<p>At least one escape route, and</p> <ul style="list-style-type: none"> • early warning [3], and • suppression [5], and • either: <ul style="list-style-type: none"> a. alternative exit (see clause 2.9.6), or b. escape windows (see clause 2.9.4)

Height of topmost storey above or basement depth below adjacent ground	Summary of Recommendations [1] [2]
Not more than 4.5m	At least one escape route, and <ul style="list-style-type: none"> • early warning [3], and • suppression [5], and • escape windows (see clause 2.9.4)
More than 4.5m but not more than 7.5m [4]	At least one escape route, and <ul style="list-style-type: none"> • early warning [3], and • suppression [5], and • escape windows (see clause 2.9.4), and • either <ul style="list-style-type: none"> a. enhanced early warning (see clause 2.9.7), or b. protected enclosure (see clause 2.9.5)
Maisonettes more than 7.5m [4] but not more than 60m	At least one escape route, and <ul style="list-style-type: none"> • early warning [3], and • suppression [5], and • escape windows (see clause 2.9.4), and • either <ul style="list-style-type: none"> a. alternative exit (see clause 2.9.6) and enhanced early warning (see clause 2.9.7), or b. protected enclosure (see clause 2.9.5)
Flats more than 7.5m [4] but not more than 60m	At least one escape route, and <ul style="list-style-type: none"> • early warning [3], and • suppression [5], and • escape windows (see clause 2.9.4), and • either <ul style="list-style-type: none"> a. enhanced early warning (see clause 2.9.7), or b. protected enclosure (see clause 2.9.5)

Additional information:

1. No storey height more than 60m (see clause 2.0.3).
2. No dwelling with a storey area more than 200m² (see clause 2.0.3).
3. See guidance to Standard 2.11 for early warning systems.

4. See guidance to Standard 2.14 for explanation of 7.5m and 18m trigger heights and additional fire-fighting facilities.
5. See guidance to Standard 2.15 for suppression systems.

Table 2.5 Escape within Social Housing Dwellings

Height of topmost storey above or basement depth below adjacent ground	Summary of Recommendations [1] [2]
Basement storey at a depth of not more than 4.5m (see clause 2.9.3)	At least one escape route, and <ul style="list-style-type: none"> • early warning [3], and • suppression [5], and • either <ol style="list-style-type: none"> a. alternative exit (see clause 2.9.6), or b. escape windows (see clause 2.9.4)
Not more than 4.5m	At least one escape route, and <ul style="list-style-type: none"> • early warning [3], and • suppression [5], and • escape windows (see clause 2.9.4)
More than 4.5m but not more than 7.5m [4]	At least one escape route, and <ul style="list-style-type: none"> • early warning [3], and • suppression [5], and • escape windows (see clause 2.9.4), and • either <ol style="list-style-type: none"> a. enhanced early warning (see clause 2.9.7), or b. protected enclosure (see clause 2.9.5)
Houses more than 7.5m [4] but not more than 18m [4]	At least one escape route, and <ul style="list-style-type: none"> • early warning [3], and • suppression [5], and • escape windows (see clause 2.9.4), and • either <ol style="list-style-type: none"> a. alternative exit (see clause 2.9.6) and enhanced early warning (see clause 2.9.7), or b. protected enclosure (see clause 2.9.5)
Maisonettes more than 7.5m [4] but not more than 60m	At least one escape route, and <ul style="list-style-type: none"> • early warning [3], and

Height of topmost storey above or basement depth below adjacent ground	Summary of Recommendations [1] [2]
	<ul style="list-style-type: none"> • suppression [5], and • escape windows (see clause 2.9.4), and • either <ul style="list-style-type: none"> a. alternative exit (see clause 2.9.6) and enhanced early warning (see clause 2.9.7), or b. protected enclosure (see clause 2.9.5)
Flats more than 7.5m [4] but not more than 60m	At least one escape route, and <ul style="list-style-type: none"> • early warning [3], and • suppression [5], and • escape windows (see clause 2.9.4), and • either <ul style="list-style-type: none"> a. enhanced early warning (see clause 2.9.7), or b. protected enclosure (see clause 2.9.5)

Additional information:

- a. No storey height more than 60m (see clause 2.0.3).
- b. No dwelling with a storey area more than 200m² (see clause 2.0.3).
- c. See guidance to Standard 2.11 for early warning systems.
- d. See guidance to Standard 2.14 for explanation of 7.5m and 18m trigger heights and additional fire-fighting facilities.
- e. See guidance to Standard 2.15 for suppression systems.

2.9.3 Escape within dwellings - basement storeys

A basement storey may have no windows or a limited number of ventilators which can cause a significant build up of heat and smoke. The fire may become suppressed as the oxygen is depleted however if the door to the basement storey (or room of fire origin) is opened, the sudden intake of air together with the release of hot fire gases can cause an explosive event known as a backdraught. This rapid fire spread places occupants on the ground or upper storeys at greater risk. Therefore, the private stair serving the basement storey should be separated at the ground storey by construction having a short fire resistance duration.

There is a risk that occupants in a basement storey could become trapped following the outbreak of fire. This is because windows are often positioned too high above the floor level to access with ease or they may lead to an enclosed space below the adjoining ground level from which there is no escape. Therefore, an alternative exit (see clause 2.9.6) should be provided from the basement storey unless escape windows are provided from every basement apartment.

2.9.4 Escape within dwellings - escape windows

Occupants in a basement storey or in an upper storey at a height of not more than 4.5m may have access to escape windows. The use of windows for escape should only ever be considered in an emergency situation as a last resort and should not form part of the principal route of escape. Where occupants are trapped on upper storeys, they can use the window to call for assistance or to supply fresh air whilst awaiting rescue. If conditions within the room become untenable, the occupant can use the window to escape and lower themselves to the adjoining ground. This inevitably involves some degree of risk and windows in a storey at a height of more than 4.5m are considered to be too high above the adjacent ground from which to escape. Therefore, an escape window should be provided in every apartment on an upper storey at a height of not more than 4.5m above the adjacent ground. However this is not necessary where there is an alternative route of escape from the apartment to other circulation spaces or to other rooms.

Occupants within an inner room can become trapped where there is an outbreak of fire in the adjoining access room. Therefore, every inner room on a storey at a height of not more than 4.5m above the adjacent ground level should be provided with an escape window unless the inner room has an alternative route of escape.

Escape windows should be large enough to escape through and should be situated in an external wall or roof. The windows should have an unobstructed openable area that is at least 0.33m² and at least 450mm high and 450mm wide. The route through the window may be at an angle rather than straight through and the bottom of the openable area should be not more than 1100mm above the floor.

Conservatories - the location of conservatories also presents some difficulties in relation to escape windows. Where a conservatory is located below an escape window consideration should be given to the design of the conservatory roof to withstand the loads exerted from occupants lowering themselves onto the roof in the event of a fire. However the choice to construct a more robust roof and frame is a matter of preference and the decision to do this should remain with the owner.

2.9.5 Escape within dwellings - protected enclosure

Occupants in apartments (e.g. lounges, bedrooms etc) may be asleep during the outbreak of fire. Where they are located on an upper storey and it is not practical to provide an escape window due to the height above the adjacent ground there is a greater risk of becoming trapped by fire and smoke. For this option (see tables to clause 2.9.2), every apartment on a storey at a height of more than 4.5m above the adjacent ground should provide direct access to a protected enclosure which leads to an exit door.

Protected enclosures should be designed and constructed to withstand fire in an adjoining room or space. The protected enclosure should form a complete enclosure having a short fire resistance duration. Every door in the wall of a protected enclosure (other than a door serving sanitary accommodation) should be a self-closing fire door with a short fire resistance duration. A cupboard door need not be self-closing unless there is an ignition source within the cupboard such as an electrical distribution board or a boiler.

2.9.6 Escape within dwellings - alternative exits

For this option (see table to clause 2.9.2), every upper storey in a house or maisonette at a height of more than 7.5m above the adjacent ground should be provided with an alternative exit. The intention is to reduce the risk that occupants could become trapped within their own dwelling and provide them with the opportunity to turn away from the fire on the floor of fire origin and make their escape in the other direction. Where the second route of escape is by way of another private stair, the stair should be enclosed in a protected enclosure which leads to an alternative exit.

2.9.7 Escape within dwellings - open plan option with suppression and enhanced early warning

Open plan layouts are becoming more popular with modern living styles. For this option (see tables to clause 2.9.2), the following guidance should be followed for open plan layouts provided the kitchen is remote from the exit door.

Where the topmost storey height is more than 4.5m above the adjoining ground an automatic life safety fire suppression system and an enhanced early warning system should be installed to protect the occupants. In a slower developing fire, the early warning system should provide the occupants with sufficient time to escape and in those cases where the fire develops quickly, the suppression system should control the fire giving the occupants the opportunity to escape.

The automatic life safety fire suppression system should be designed and installed in accordance with BS 9251: 2014.

The enhanced early warning system should follow the guidance in BS 5839: Part 6: 2019 for a grade D, category LD1 system. Where this option is adopted in sheltered housing complexes, a grade C system should be installed (see Standard 2.11).

2.9.8 Escape within dwellings - ducted heating and ventilation systems

Ducted heating or ventilation systems should not transfer fire and smoke from the room of fire origin to the remainder of the dwelling. Therefore, where a dwelling has a basement storey or a storey at a height of more than 4.5m and is provided with a system of ducts that connect rooms and circulation spaces:

- transfer grilles should not be fitted between any room and the protected enclosure, and
- supply and return grilles should be not more than 450mm above floor level, and
- where warm air is ducted to a protected enclosure, the return air should be ducted back to the heater, and
- where a duct passes through any wall, floor, or ceiling of a protected enclosure, all joints between the duct and the surrounding construction should be fire stopped, and
- there should be a room thermostat in the living room, at a height more than 1370mm and not more than 1830mm, with an automatic control which will turn off the heater, and actuate any circulation fan should the ambient temperature rise to more than 35°C, and
- where the system recirculates air, smoke detectors should be installed within the duct to cause the recirculation of air to stop and direct all extract air to the outside of the building in the event of fire.

Fire dampers should be installed where the ducts pass through fire resisting construction or alternatively fire resisting ductwork should be provided. In either case, the fire resistance duration of the construction should be maintained.

2.9.9 Escape routes - general principles

Once occupants have left the flat, maisonette or any other ancillary room or space, they should be protected from fire and smoke to allow them sufficient time to escape from the building in relative safety. Those occupants who are remote from the fire are more likely

to be unaware of the outbreak and may delay their evacuation. People also move more slowly on stairs than they do on the level and will take longer to evacuate tall buildings with many flights of stairs.

The fire dynamics can be significantly different in tall buildings. The effect of the wind may be greater which could accelerate the speed, direction and intensity of the fire. For example, if a window is open or breaks under fire conditions or the door to the dwelling of fire origin is opened, the wind could accelerate fire growth to such an extent that the entire flat or maisonette becomes fully involved in the fire. The wind direction might also induce cross flows of fire and smoke that could endanger fire-fighters entering the dwelling and any occupants attempting to escape from adjoining dwellings.

A further risk in high rise domestic buildings is the loss of smoke buoyancy in tall shafts such as stairs which may cause stratification of smoke before it reaches the smoke ventilator at the top of the stairwell. Fire and rescue service equipment has a reach capability of 30m but may not have access to all elevations of the building (See guidance to Standard 2.14). Therefore, in order to improve redundancy and escape route options in tall buildings, at least two escape stairs should be provided to every domestic building with a storey height more than 18m above the ground level.

2.9.10 Escape routes - options

The guidance assumes that in most cases, a fire will start inside a dwelling or other ancillary room or space within the building. Therefore, at least one escape route should be provided from every flat, maisonette and from the following ancillary rooms or spaces serving a domestic building:

- communal room e.g. a communal lounge or laundry in a sheltered housing complex
- plant room
- solid waste storage room
- store room
- lift machine room, and
- accessible service duct or cupboard.

The above list is not intended to be comprehensive and any other room or space should be provided with at least one escape route. The non-domestic Technical Handbook should be used for guidance on travel distances within ancillary rooms and escape routes serving such rooms. A parking garage is a non-domestic building but may be mixed use, see clause 2.9.17.

There are many options available to designers when considering escape routes in buildings containing flats and maisonettes. These options can be subdivided into 2 broad categories:

- internal escape routes e.g. protected corridors and protected stairs, and
- external escape routes e.g. protected balconies or protected external escape stairs.

Standard 2.15 requires an automatic fire suppression system to be installed within flats and maisonettes and social housing dwellings. In certain circumstances (see table 2.4), there is no need to provide protected lobbies (see clause 2.9.13) between the dwellings and the escape stair. However there is a risk that the fire protection measures may not be maintained by the occupants of the building and as a result, the number of dwellings should be limited to 4 dwellings per storey and no storey is at a height of more than 7.5m

above the adjacent ground level. The intention is to limit the size and height of a domestic building where some reliance is placed on fire precautions within a dwelling that also protects the common escape route.

Escape routes in common areas should be sterile areas. The limitation on travel distance within protected lobbies is intended to reduce the time it takes occupants to escape and to reduce their potential exposure to smoke following an outbreak of fire in the building. Automatic smoke ventilation should be provided within every protected lobby serving a single escape stair in a domestic building to improve tenability conditions within the escape route. More detailed guidance can be found in the BS EN 12101 series of standards.

The following table summarises the recommendations when designing buildings containing flats and maisonettes (including social housing dwellings) and any ancillary rooms.

Table 2.6 Escape routes from flats and maisonettes (including social housing dwellings) and any ancillary rooms

Height of topmost storey above or basement depth below adjacent ground	Summary of Recommendations [1]
A basement storey (see clause 2.9.11) at a depth not more than 4.5m (if applicable) and/or a topmost storey not more than 7.5m [2]	At least one escape route and <ul style="list-style-type: none"> • not more than 4 dwellings per storey, or At least one escape route, and: <ul style="list-style-type: none"> • protected lobbies (see clause 2.9.13), and • smoke ventilation (see clause 2.9.14 – 2.9.16), and • not more than 10m travel distance inside protected lobby, or At least two escape routes [3], and <ul style="list-style-type: none"> • not more than 30m travel distance in protected corridor
More than 7.5m but not more than 18m [2]	At least one escape route, and: <ul style="list-style-type: none"> • protected lobbies (see clause 2.9.13), and • smoke ventilation (see clauses 2.9.14 – 2.9.16), and • not more than 10m travel distance inside protected lobby, or At least two escape routes [3], and: <ul style="list-style-type: none"> • not more than 30m travel distance in protected corridor
More than 18m [2] but not more than 60m	At least two escape routes [3], and: <ul style="list-style-type: none"> • not more than 30m travel distance in protected corridor

Additional information:

1. See diagrams for guidance on measurement of travel distance.

2. See guidance to Standard 2.14 for explanation of 7.5m and 18m trigger heights and additional fire-fighting facilities.
3. Where two escape stairs are provided in a central core they should be separated from each other by a protected lobby or lobbies with automatic smoke ventilation.

Figure 2.4 Ground Floor - One Escape Route

Typical ground floor - one escape route - storey height more than 7.5m but not more than 18m

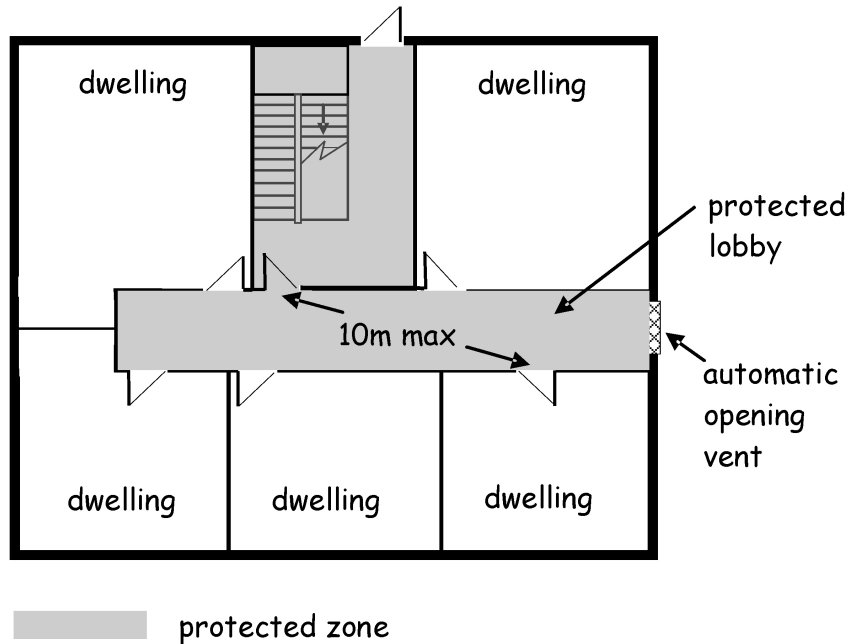


Figure 2.5 Upper Floor - Two Escape Routes

Typical upper floor - two escape routes - corridor access without dead ends - storey height more than 18m but not more than 60m

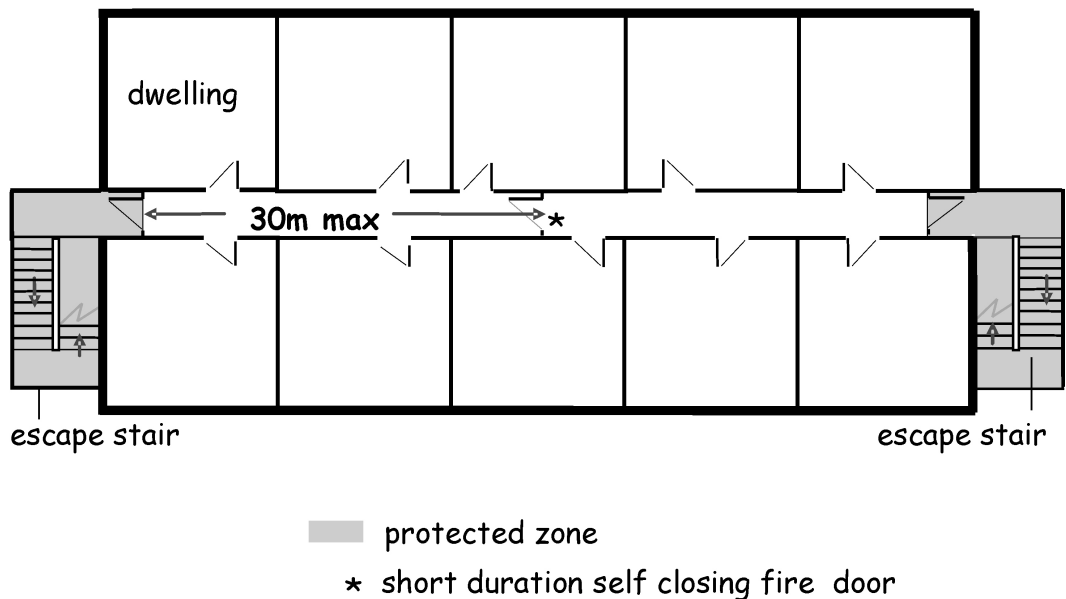
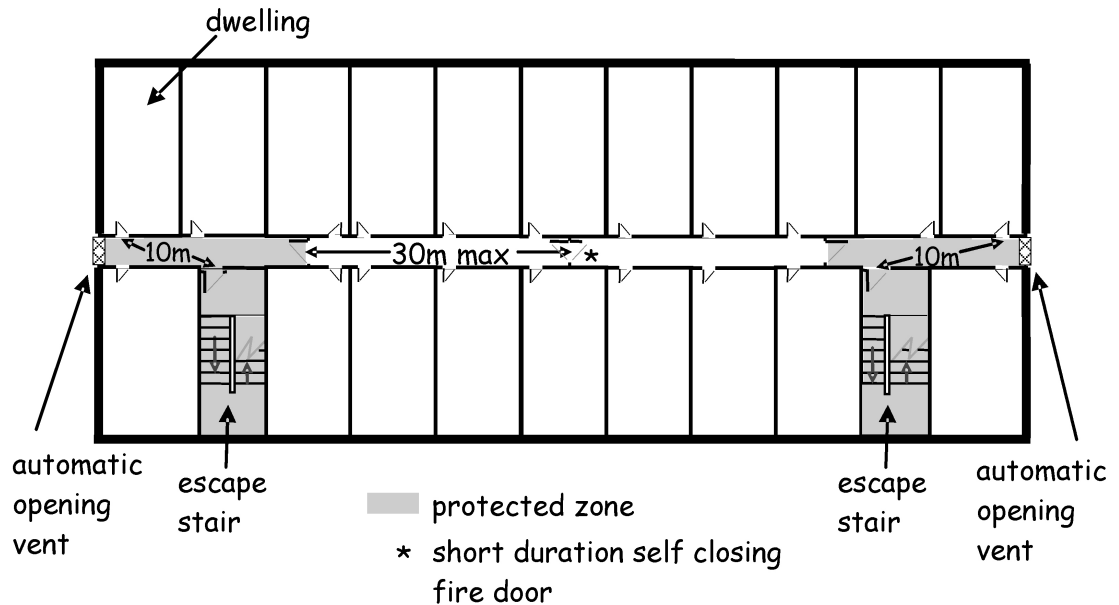


Figure 2.6 Upper Floor with Dead Ends

Typical upper floor - two escape routes - corridor access with dead ends - storey height more than 18m but not more than 60m



2.9.11 Escape routes - basement storeys

A basement storey with insufficient ventilation can cause a significant build up of heat and smoke. If the door to the basement storey is opened, the sudden intake of air together with the release of hot fire gases can cause an explosive event known as a backdraught which can create significant flaming through the door opening. There is also a risk that disoriented occupants could continue their escape to the basement storey instead of escaping through the ground storey. In order to minimise these risks, a medium duration fire resisting wall or screen (including a self-closing fire door) should be provided in the protected zone at the ground storey to separate the basement storey from the remainder of the protected zone.

2.9.12 Escape routes - protected zones

Protected zones are intended to provide a place of relative safety inside the building. Occupants using the escape stair should be safe from the effects of fire and smoke during their evacuation to a place of safety. The enclosing structure of a protected zone should have at least a medium fire resistance duration. In the case of a high rise domestic buildings the protected zone should have a long fire resistance duration. Self-closing fire doors in the enclosing structure of a protected zone need only achieve a short fire resistance duration and in the case of a high rise domestic building, a medium fire resistance duration.

External walls adjacent to protected zones - if a protected zone has an external wall that projects beyond the face of a building or is set back in a recess, the protected zone may be vulnerable if fire breaks out through an adjacent window, door or other opening. Radiated heat or flames from the fire may impede occupants using the protected zone to escape.

Therefore, where any part of an external wall of a protected zone is not more than 2m from, and makes an angle of not more than 135 degrees with any part of an external wall in another part of the building, the protected zone should be protected against fire for a distance of 2m by construction which provides a medium fire resistance duration. The

designer can choose which wall should be fire resisting and may include fire resisting facades or other fixed glazing or any other opening protected against fire. However it is not sufficient to use the final exit door as a barrier between the occupants escaping and the fire. In such cases, the external wall adjoining the protected zone at the final exit should be protected against fire as described above.

2.9.13 Escape routes - protected lobbies

A protected lobby is located within a protected zone and is designed to inhibit the movement of fire and smoke from an adjoining room, storey or space into the escape stair or fire-fighting lobby. This is normally achieved by fire resisting construction together with at least 2 sets of self-closing fire doors between the fire and the escape stair or fire-fighting lobby. The wall between the protected lobby or fire-fighting lobby and the escape stair should have a short fire resistance duration and any door in the wall should be a self-closing fire door with short fire resistance duration. For high rise domestic buildings the wall between the escape stair and the protected lobby should have a medium fire resistance duration and any self-closing fire door should have a short fire resistance duration. See guidance to Standard 2.14 for fire-fighting facilities.

Protected lobbies in domestic buildings are used:

- to inhibit fire and smoke spread to escape stairs
- to help evacuees escape from the floor of fire origin
- to provide protection and space for the fire and rescue service to set up a forward control point (see Standard 2.14), and
- to provide a bridgehead from which to commence fire fighting and rescue operations (see Standard 2.14).

In order to inhibit fire and smoke spread to the escape stair and to help evacuees on the floor of fire origin reach the escape stair, automatic smoke ventilation should be provided and travel distance within the lobby is limited to 10m. Where flats or maisonettes are accessed from an open access balcony, there is no need to provide a protected lobby.

Protected lobbies should be designed that smoke entering one protected lobby should not spread to other protected lobbies. There should be no inter-connection between protected lobbies other than:

- the escape stair
- a smoke ventilation shaft
- protected services
- fire mains, or
- passenger lift or fire-fighting lift.

Any gaps or imperfections of fit should be fire-stopped.

2.9.14 Escape routes - smoke ventilation

Although there are physical barriers to fire such as walls, floors and doors, there is still a risk of smoke spread into escape routes. Therefore, smoke ventilation should be provided in protected lobbies, fire-fighting lobbies and protected corridors in certain circumstances (see Table 2.4) to help maintain tenable conditions within escape routes.

The fire and rescue service will normally be in attendance before all flats or maisonettes have been evacuated. Therefore, it is important that the smoke ventilators (including

powered systems) are capable of being opened, closed or shut off by fire and rescue personnel to assist them with their fire-fighting and rescue operations (see Standard 2.14).

Smoke ventilation of escape routes can be provided by:

- natural smoke ventilation, or
- mechanical smoke ventilation.

The merits and limitations of each system should be assessed by the designer before deciding which system to choose.

More detailed guidance can be found in the BS EN 12101 series of standards.

2.9.15 Escape routes - natural smoke ventilation

Natural ventilation uses external openings in the roof or walls of the building to remove smoke using its own buoyancy. The efficiency of a natural smoke ventilation system depends upon the location of the ventilator and the direction and velocity of the prevailing wind. Under certain conditions, the smoke flow through ventilators may be enhanced whilst under other conditions, it may be impaired. Ideally the location of ventilators should be positioned on the building in negative pressure zones and inlets in positive pressure zones however this is difficult to achieve for all wind directions. Natural smoke ventilation can be provided by either:

- automatic opening external wall ventilators, or
- smoke shafts.

Automatic opening external wall ventilators - every protected lobby should be provided with natural smoke vents on an external wall which have an area of at least 1.5m^2 that discharges smoke direct to the external air. The ventilators should be actuated automatically by means of smoke detectors in the common space.

A natural smoke shaft uses the natural buoyancy of the smoke together with the effect of the wind passing over the top of the shaft to help draw the smoke through the shaft to the outside air. The design of natural smoke shafts is based on a fire providing a heat output of not more than 2.5 megawatts through an open door of 780mm wide. This scenario simulates a fully developed (flashover) fire condition in a room within the flat or maisonette. Where the fire produces cooler smoke (e.g. a smouldering fire), the smoke might not escape so readily when subject to adverse wind or stack effects. The inlet/outlet configuration will vary depending wind direction and designers should take this into account. For example, a vent cowl could be installed on the top of the smoke shaft to help draw the smoke out of the shaft for all wind directions. The full research report 'Smoke ventilation of common access areas of flats and maisonettes (BD 2410) – Final Factual Report (BRE, 2005)' can be accessed on the BRE website <http://www.bre.co.uk/>.

The shaft should be closed at the base and replacement air is provided from the automatic opening ventilator in the adjacent stairwell to help the efficiency of the shaft system. The smoke shaft should have:

- a minimum cross-sectional area 1.5m^2 (minimum dimension 0.85m in any direction), opening at roof level at least 0.5m above any surrounding structures within a horizontal distance of 2.0m, and
- the minimum area of the ventilator from the protected lobby into the shaft and at the opening at the head of the shaft and at all internal locations within the shaft (e.g. safety grilles) should be at least 1m^2 , and
- the smoke shaft should have at least a medium fire resistance duration and all ventilators should have a short fire resistance duration, and

- the shaft should be vertical from base to head but may have not more than 4m at an inclined angle not more than 30° from the vertical plane, and
- on detection of smoke in the protected lobby, the ventilator on the fire floor, the ventilator at the top of the smoke shaft and the 1m² ventilator at the head of the stairway should all open simultaneously. The ventilators from the protected lobbies on all other storeys should remain closed.

2.9.16 Escape routes - mechanical smoke ventilation

Mechanical smoke ventilation using pressure differentials may be used to inhibit smoke spread into escape routes by means of:

- depressurisation systems, or
- pressurisation systems, or
- heating and ventilation systems.

A depressurisation system is based on the principle of extracting smoke to the outside air. This creates a negative pressure in the space relative to the adjacent spaces. Where a smoke ventilation depressurisation system is used, replacement air should be provided for the system to operate effectively. The volume of air and smoke removed should be replaced with the equivalent volume of replacement air at a sufficient rate in order to ensure a smoke flow out of the building. Reducing the rate of replacement air can result in the smoke ventilation system becoming less efficient whereas increasing replacement air and extraction at high velocities can produce air pressure conditions which make doors difficult to open. The system should be balanced to ensure that the forces required to open doors are not greater than those specified in Section 4 Safety.

A pressurisation system is based on the principle of forcing air into the escape route which helps to keep smoke out. Forced air can be used to maintain a positive pressure in the escape route which produces an air flow through gaps around doors preventing the smoke from entering. The system design should take account of likely pressure reduction when occupants open doors to escape or when fire-fighters open doors to access the fire. The system should be balanced to ensure that the forces required to open doors are not greater than those specified in Section 4 Safety.

Ducted heating and/or ventilation systems, including air conditioning systems, that serve all dwellings in the building should not transfer fire and smoke to or from any dwelling to any other dwelling, common space, roof space or concealed space. Fire dampers should be installed where ducts pass through fire resisting construction unless the ducts have a medium fire resistance duration or in the case of a high rise domestic building, the ducts have a long fire resistance duration.

The system installed to maintain interior environment conditions in a building should not compromise the function of the mechanical smoke ventilation system. Therefore, in the event of an outbreak of fire, the system should automatically either shut off or its function integrated with any smoke ventilation system that serves the escape routes. For more detailed guidance refer to BS 5588: Part 9: 1999.

2.9.17 Escape routes - mixed use buildings

In a mixed use building the fire in the non-domestic part of the buildings could remain undetected for some time and reach a severe intensity (due to fire load) before the occupants in the flats or maisonettes get warning. Therefore, where a protected zone is shared with a non-domestic building, a protected lobby should be provided between the non-domestic building and the escape stair to provide additional time for the residential occupants to escape. For additional guidance on protected lobbies including ventilation, see clauses 2.9.13 - 2.9.16 and clause 2.9.24.

Where flats or maisonettes have only one escape route and share a protected zone with a non-domestic building, the height of the topmost storey of the domestic building should be limited to 7.5m to reduce the number of occupants who might be affected by a fire originating in the non-domestic building.

2.9.18 Escape routes - fire hazard rooms and services

Fire hazard rooms and services can present a potential source of fire ignition and fire spread into common escape routes.

The following fire hazard rooms and service spaces adjacent to escape routes should be separated from the escape route by a construction that provides a medium fire resistance duration:

- communal room e.g. a communal lounge or laundry in a sheltered housing complex
- plant room
- solid waste storage room
- store room
- lift machine room, and
- service duct or cupboard.

Even if the room does not contain an ignition source, the potential for a fire to be set accidentally or deliberately should be assessed. For example, the door to a solid waste storage room might be left unlocked. For this reason, any door accessing a fire hazard room should be a self-closing fire door with a short fire resistance duration. A fire door to a service duct or service cupboard should be locked to prevent unauthorised entry therefore does not need to be fitted with a self-closing device.

Fuel pipes conveying fuel inside protected zones and protected lobbies could accelerate fire growth and under certain conditions, create an explosive atmosphere within the building. Oil and liquefied petroleum gas can produce pool fires (i.e. a turbulent fire burning above a horizontal pool of vaporising hydrocarbon fuel). The pool fire can either be static, where the pool is contained, or a 'running' pool.

Fuel pipes carrying oil (other than a pipe conveying oil supplying a hydraulic lift) should be located outside protected zones and protected lobbies.

Fuel pipes carrying natural gas or liquefied petroleum gas (including associated meters) may be located inside protected zones or protected lobbies provided:

- the installation is in accordance with the requirements of the Pipelines Safety Regulations 1996, SI 1996 No 825 and the Gas Safety (Installation and Use) Regulations 1998 SI 1998 No 2451, and
- any pipe in a protected zones is constructed of screwed steel or welded steel construction, and
- the pipe or pipes are contained within a service shaft having a medium fire resistance duration, and
- the service shaft is ventilated at high and low level in accordance with BS 8313: 1997.

2.9.19 Escape routes - construction of escape stairs

Escape stairs should be protected from the outbreak of fire to allow occupants to escape and fire-fighters to access the fire. Therefore, every part of an escape stair (including

landings) and the floor of a protected zone (including the floor of protected lobbies), should be constructed of products which achieve European Classification A1 or A2.

However this does not apply to:

- the floor of the lowest storey of the building
- any handrail, balustrade or protective barrier on an escape stair, or
- a floor finish (e.g. laminate flooring) applied to the escape stair (including landings) or to the floor of a protected zone or protected lobby.

2.9.20 Escape routes - openings

Fire and smoke can easily pass through openings in escape routes which could prevent the occupants from escaping in the event of an outbreak of fire within the building. For this reason, the openings should be designed to inhibit the spread of fire and smoke into the escape route. Where fire shutters or dampers are installed as part of a ducted system, they should be activated by localised smoke detectors.

In order to inhibit the spread of fire and smoke, openings in separating walls and floors and openings in protected routes of escape should be protected and fire-stopped in accordance with the guidance to Standard 2.2.

2.9.21 Escape routes - junctions

The junctions between escape routes and other parts of the building are vulnerable to fire and smoke. This is because fire and smoke can penetrate weaknesses at junctions which could compromise the escape route. The designer should consider detailing at junctions to inhibit fire and smoke spread into escape routes.

In order to inhibit the spread of fire and smoke, junctions in separating walls and floors and junctions in protected routes of escape should be protected and fire-stopped in accordance with the guidance to Standard 2.2.

2.9.22 Escape routes - external escape routes and escape stairs

Protection of external routes of escape - escape routes will normally lead to the final exit door of the building, which leads to a safe place in the outside air from which occupants can freely disperse. An exit can also lead to an external escape stair giving access to a place of safety.

In some cases it may not be possible to freely disperse away from the building (e.g. where the final exit door discharges to an enclosed outdoor space). In such cases, where there is only 1 route of escape, the external wall of the building within 2m of the route of escape should have a short fire resistance duration for integrity up to 1.1m above the adjoining ground. This does not apply to sub-floor vents.

An external escape stair is an unenclosed escape stair which is open to the external air and provides occupants with an escape route which leads to a place of safety. External escape stairs present additional hazards to people escaping from buildings in the case of fire. This is because the escape stair may be exposed to inclement weather during the evacuation. For this reason, an external escape stair should not serve a building where the topmost storey height is more than 7.5m above the adjacent ground.

In order to protect the occupants from fire and smoke during evacuation, the external escape stair should be protected against the outbreak of fire from within the building.

Where the escape stair has a total rise of more than 1.6m, every part of the external wall including fixed windows or glazing, self-closing fire doors (other than a door opening from the top storey) or any other opening not more than 2m from the escape stair, should have a short fire resistance duration. Fire protection below an escape stair should be extended to the lowest ground level.

An external escape stair with a total rise of not more than 1.6m from which occupants can freely disperse, is considered to be low enough above the ground to present minimal risk to occupants leaving the building and as a result, fire protection need not be provided.

2.9.23 Escape routes - open access balconies

An open access balcony can be used as an escape routes from flats or maisonettes. Fire and smoke should ventilate more freely than an enclosed escape route. The balcony should be open to the external air and have an opening that extends over at least four-fifths of its length and at least one third of its height.

Where only one direction of escape is available, the travel distance along an open access balcony should be not more than 40m. However where the balcony provides 2 directions of escape, the travel distance can be unlimited.

Flames and smoke from a fire may emanate from a window or other opening in the external wall of a flat or maisonette. Therefore, where an open access balcony provides escape in 1 direction only, the external wall up to a height of at least 1.1m above the level of the balcony should be provided with a short fire resistance duration to allow evacuees to pass below the level of windows in relative safety. Any door in the external wall should be a self-closing fire doors with a short fire resistance duration.

In order to protect occupants escaping from flats or maisonettes on storeys above the fire floor, every open access balcony should have a medium fire resistance duration from the underside. Openings in the floor of the balcony should be fire-stopped in accordance with the guidance to Standard 2.2.

Wide balconies above the floor of fire origin could present a risk to occupants escaping on the fire floor. This is because lateral fire and smoke spread along the underside of the balcony may compromise the escape route. Therefore, in order to inhibit lateral fire and smoke spread, every balcony more than 2m wide should be provided with smoke channels or down-stands at 90 degrees to the face of the building on the same line as the separating wall between each dwelling. The depth of the smoke channel or down-stand should be at least 300mm below the soffit of the balcony.

2.9.24 Escape routes - refuge within buildings

Research and fire investigation reports from fire and rescue services show that the incidence of multiple fire deaths and injuries beyond the dwelling of fire origin is uncommon. This is because:

- fire and smoke spread is contained mainly to the dwelling of fire origin by the construction of separating walls and separating floors (see Standard 2.2)
- occupants in flats and maisonettes (other than the flat or maisonette of fire origin) are protected from fire and smoke by the construction of separating walls and separating floors, and
- fire and rescue service intervene and control fire spread.

However there are occasions where the common escape routes serving flats and maisonettes may be compromised by fire and smoke. For example, where a fire has accidentally or deliberately been set in the protected zone or protected lobby.

Where a domestic building and a non-domestic building share a protected zone (see clause 2.9.17), the occupants in the domestic building should be provided with additional protection. A protected lobby is necessary between an escape stair and every:

- non-domestic building
- flat
- maisonette, and
- ancillary room or space.

Occupants who are confronted by fire and smoke in the common space may retreat back into their flat or maisonette and contact the emergency services. Control room personnel will provide helpful advice and attempt to keep callers calm whilst awaiting arrival of the fire and rescue service.

Occupants should be able to remain safely inside the building until the fire has burnt itself out or until the fire has been contained and it is safe to use the escape route. In most cases, the fire and rescue service will intervene and commence fire-fighting and rescue operations before all occupants have made their escape to a place of safety.

Although a rare event, if the spread of fire and smoke is significant, it may be necessary to evacuate the floor of fire origin or the entire building as a precaution. This will normally be co-ordinated by the fire and rescue service with assistance from the other emergency services such as the police and ambulance services. In order to assist the fire and rescue service in this task an evacuation alert system for their use should be installed to BS 8629: 2019 (currently under development, see Standard 2.14 for additional guidance).

2.10 Escape lighting

Mandatory Standard

Standard 2.10

Every building must be designed and constructed in such a way that in the event of an outbreak of fire within the building, illumination is provided to assist in escape.

2.10.0 Introduction

In seeking to escape from a building the occupants will find it easier if the escape routes are illuminated. Specifically dedicated escape lighting is not necessary within dwellings as it is assumed the occupants will have a degree of familiarity with the layout, and escape routes only begin at the door to the dwelling. However in buildings containing flats and maisonettes, the common escape routes should be illuminated to assist the occupants of the building to make their way to a place of safety.

Conversions - in the case of conversions, as specified in regulation 4, the building as converted shall meet the requirement of this standard (regulation 12, schedule 6).

2.10.1 Escape route lighting

Escape route lighting utilises the artificial lighting within the building, but should be supplied by a fire protected circuit.

Every part of an escape route should have artificial lighting supplied by a protected circuit that provides a level of illumination not less than that recommended for emergency lighting. Where artificial lighting serves a protected zone, it should be via a protected circuit separate from that supplying any other part of the escape route.

Artificial lighting supplied by a protected circuit need not be provided if a system of emergency lighting is installed.

2.10.2 Protected circuits

A protected circuit is a circuit originating at the main incoming switch or distribution board, the conductors of which are protected against fire. Regardless of what system is employed, escape routes should be capable of being illuminated when the building is in use. In conversions for example, it may be easier to install self-contained emergency luminaires than to install a protected circuit to the existing lighting system.

2.10.3 Emergency lighting

Emergency lighting is lighting designed to come into, or remain in, operation automatically in the event of a local and general power failure.

Emergency lighting should be installed in buildings considered to be at higher risk. In a building containing flats or maisonettes emergency lighting should be provided in the following areas:

- an underground car park including any protected zone serving it, where less than 30% of the perimeter of the car park is open to the external air
- a protected zone or unprotected zone serving a basement storey or a protected zone or unprotected zone in a high rise domestic building.

The emergency lighting should be installed in accordance with BS 5266: Part 1: 2016 as read in association with BS 5266: Part 7: 1999 (BS EN: 1838: 2013).

In order to assist the evacuation of occupants in high rise domestic buildings, every protected lobby, protected zone (including escape stairs) and any other associated escape route should be provided with emergency lighting designed and installed in accordance with BS 5266: Part 1: 2005 as read in association with (BS EN: 1838: 2013).

2.11 Communication

Mandatory Standard

Standard 2.11

Every building must be designed and constructed in such a way that in the event of an outbreak of fire within the building, the occupants are alerted to the outbreak of fire.

2.11.0 Introduction

Over 90% of Scottish fire deaths occur in the dwelling of fire origin. Asphyxiation caused by smoke inhalation is the primary cause of death. If there is an outbreak of fire within a dwelling, early detection and warning to the occupants can play a vital role in increasing their chances of escape. This is particularly important as the occupants may well be asleep and are more likely to react slower.

Most fires in dwellings are accidental and statistics show that the main sources of ignition are: Cooking appliances, smoking related, candles, electrical supply and other domestic appliances.

Occupant characteristics - in the 4 years 2014-2015 to 2017-2018 where fatalities were recorded, on average 30% of fires started in the living room, 17% in bedrooms, and 15% in the kitchen. This means that a significant number of fire related deaths, 62% or 107 deaths over the 4 year period, occurred from fires starting in these rooms. It is therefore important that the outbreak of fire in living rooms and kitchens is detected quickly and the alarm raised as early as possible during the early stages of fire growth.

Tolerable Standards - in January 2019 amendments to the tolerable standards introduced a requirement for all dwellings to be fitted with heat and smoke alarms and carbon monoxide detection by February 2021. Guidance in support of the tolerable standards calls for interlinked heat and smoke detection to be sited as per the guidance contained in this technical handbook, with the allowance that the installation may be powered by sealed for life battery units. However, where an existing partial or full mains operated heat and smoke detection system is being altered it would normally be expected to replace mains wired devices with mains wired units.

Conversions - in the case of conversions, as specified in regulation 4, the building as converted shall meet the requirement of this standard (regulation 12, schedule 6).

2.11.1 Fire detection and fire alarm systems

Living rooms and kitchens should be fitted with fire detectors because they are the most likely sources of fire in dwellings and result in the greatest number of fatalities and injuries in Scotland each year. Statistics also show that bedrooms and other rooms or spaces within a dwelling also contribute to the overall number of casualties in Scotland and as a result the circulation spaces outside these rooms or spaces should be protected to give early warning of fire.

Therefore, in order to provide a fire detection and fire alarm system that should alert occupants to the outbreak of fire, a Grade D system should be installed in all dwellings, comprising of:

- at least 1 smoke alarm installed in the principal habitable room
- at least 1 smoke alarm in every circulation space on each storey such as hallways and landings
- at least 1 smoke alarm in every access room serving an inner room
- at least 1 heat alarm installed in every kitchen.

The principal habitable room is the most frequently used room by the occupants of a dwelling for general daytime living purposes.

Where a dwelling has an open plan layout, the open plan area will also be used as a circulation space (which could include a stair and landing). The location and siting of smoke alarms and heat detectors should follow both the guidance above and in Clause 2.11.7 to determine the appropriate number of alarms.

Inner rooms - where occupants' only escape route is through another room (the access room) they are at risk if a fire starts in the access room. Therefore, every access room should be provided with a smoke alarm to give occupants of the inner room early warning.

Where the access room is a kitchen, the type of detector should be carefully considered to reduce the likelihood of false alarms.

Any inner room at a height of more than 4.5m should be designed in accordance with the guidance to clause 2.9.7.

Common systems - in a building containing flats or maisonettes, a common fire alarm and detection system that interlinks all dwellings and common spaces is not recommended due to the risk of unwanted false alarms. However in a sheltered housing complex, monitoring equipment is recommended due to the vulnerability of the occupants.

Detailed guidance on fire detection and fire alarm systems in dwellings can be obtained from BS 5839: Part 6: 2019.

2.11.2 Choice of fire detector

False alarms are common in dwellings and may result in the occupants disabling the fire detection and fire alarm system. The most common causes of a false alarm are:

- fumes from cooking (including toasting of bread)
- steam from bathrooms, shower rooms and kitchens
- tobacco smoke
- dust
- aerosol spray and incense
- candles
- high humidity, and
- water ingress.

Consideration should therefore be given to the type of fire detector in order to reduce the amount of unwanted false alarms. There are 4 main types of fire detector used in dwellings:

- optical smoke alarms
- ionisation smoke alarms
- multi sensor alarms, and
- heat alarms.

2.11.3 Optical smoke alarms

Optical smoke alarms should conform to BS EN 14604: 2005 and operate on the principle of detecting the scattering or absorption of light within the detector chamber. Optical smoke alarms are more sensitive to slow smouldering fires such as fires involving soft furnishings and bedding.

Principal habitable room - the most likely source of fire in a principal habitable room is the careless disposal of smoking materials. Polyurethane foam found in some furnishings may ignite and begin to smoulder producing large particles of smoke. Optical smoke alarms are therefore recommended in principal habitable rooms however if the room is used by a heavy smoker, this could give rise to some false alarms from tobacco smoke.

In cases where a principal habitable room is open plan with a kitchen, an optical smoke alarm is recommended to reduce the amount of unwanted alarms from cooking fumes.

Circulation spaces - most unwanted alarms occur during cooking. Optical smoke alarms are less sensitive from fumes caused by toasting bread or frying or grilling food. Therefore, optical smoke alarms are recommended in hallways and stairwells adjacent to kitchens.

2.11.4 Ionisation smoke alarms

Ionisation smoke alarms should conform to BS EN 14604: 2005 and operate on the principle that the electrical current flowing between electrodes in an ionisation chamber is reduced when smoke particles enter the chamber. Ionisation smoke alarms are more sensitive to smoke containing small particles such as rapidly burning flaming fires but are less sensitive to steam. Therefore, ionisation smoke alarms are recommended in hallways and stairwells adjacent to bathrooms or shower rooms to reduce the amount of unwanted false alarms.

Circulation spaces - multi-sensor alarms are recommended in hallways and stairwells adjacent to bathrooms or shower rooms to reduce the amount of unwanted false alarms.

2.11.5 Multi sensor alarms

A multi-sensor alarm provides the early warning of fire and can significantly reduce the amount of unwanted false alarms in certain circumstances. See BS 5839: Part 6: 2019 for more detailed information.

2.11.6 Heat alarms

Heat alarms conforming to BS 5446: Part 2: 2003 have fixed-temperature elements and operate on the principle of responding to the temperature of the fire gases in the immediate vicinity of the heat alarm. Heat alarms are used where ambient temperatures are likely to fluctuate rapidly over a short period such as in kitchens and are less likely to produce false alarms. Elsewhere, heat alarms should not be used instead of smoke alarms to reduce unwanted false alarms.

2.11.7 Siting of fire detectors

The guidance in this clause takes account of the audibility levels in adjoining rooms and the effect of smoke travelling along a ceiling.

Smoke alarms and heat alarms by their definition, include an integral sounder. Smoke alarms are designed to produce a sound output of 85 dB(A) at 3m. Therefore, allowing for sound attenuation through a domestic door by around 20 dB(A), a sound level of between 55 – 65 dB(A) is likely at the bed-head in each bedroom which should rouse the occupants. There is no evidence to suggest that lives are being lost in dwellings due to audibility levels other than when people are incapacitated to such a degree (e.g. by alcohol or drugs), that even higher sound levels would not waken them.

Smoke from a fire in a dwelling is normally hot enough that it rises and forms a layer below the ceiling. As the smoke rises and travels horizontally it mixes with air which increases the size of the smoke particles. This means that ionisation smoke alarms may be less sensitive to the smoke. Where a hallway is very long, the smoke might cool to such an extent that it loses buoyancy and spreads along the floor.

Audibility - smoke alarms should be located in circulation spaces:

- not more than 7m from the door to a living room or kitchen
- not more than 3m from every bedroom door, and
- in circulation spaces more than 7.5m long, no point within the circulation space should be more than 7.5m from the nearest smoke alarm.

A smoke alarm located in an access room (which could include a stair and landing), serving an inner room should be not more than 3m from the door of the inner room.

Smoke travel - a smoke alarm in the principal habitable room should be sited such that no point in the room is more than 7.5m from the nearest smoke alarm and in the case of a heat alarm, no point in the kitchen should be more than 5.3m from the nearest heat detector.

All dimensions should be measured horizontally.

Smoke might not reach a smoke alarm where it is located on or close to a wall or other obstruction. Therefore, smoke alarms should be ceiling mounted and positioned away from any wall or light fitting. In order to reduce unwanted false alarms, smoke alarms should not be sited directly above heaters, air conditioning ventilators or other ventilators that might draw dust and fine particles into the smoke alarm.

Smoke alarms and heat alarms should be ceiling mounted and located such that their sensitive elements are:

- in the case of a smoke alarm, between 25mm and 600mm below the ceiling, and at least 300mm away from any wall or light fittings, and
- in the case of a heat alarm, between 25mm and 150mm below the ceiling.

2.11.8 Grade of fire detection and fire alarm system

Monitoring of wiring or faults reduces the amount of time which a system is likely to be disabled before a fault in the system is discovered. A visual indicator or warning signal should be provided to alert the occupant that there is a fault with the system.

Therefore, at least a Grade D fire detection and fire alarms system should be installed in every dwelling which comprises 1 or more mains powered smoke alarm and 1 or more mains powered heat alarm with an integral standby supply in accordance with BS 5839: Part 6: 2019.

However a sheltered housing complex normally provides accommodation for vulnerable occupants with a diverse range of support needs. Therefore, a fire alarm signal should be transmitted to a remote monitoring service or to a warden who can assist with any evacuation if necessary, or call for assistance.

In order to achieve this principle, a Grade C system should be installed in every dwelling in a sheltered housing complex which comprises central control equipment in accordance with BS 5839: Part 6: 2019, and:

- 1 or more mains powered smoke alarms and 1 or more mains powered heat alarms with an integral standby supply, or
- point fire detectors and separate sounders.

2.11.9 Wiring and power

Research shows that significant proportion of battery operated smoke alarms fail to operate during the outbreak of a fire. The main reason for this is that the battery is either faulty or has been removed from the alarm. Therefore, smoke alarms and heat alarms should be mains operated and permanently wired to a circuit which should take the form of either:

- an independent circuit at the main distribution board, in which case no other electrical equipment should be connected to this circuit (other than a dedicated monitoring device installed to indicate failure of the mains supply to the alarms), or
- a separately electrically protected regularly used local lighting circuit.

The standby supply for smoke alarms and heat alarms may take the form of a primary battery, a secondary battery or a capacitor.

The capacity of the standby supply should be sufficient to power the smoke alarms and heat alarms in the quiescent mode for at least 72 hours whilst giving an audible or visual warning of power supply failure, after which there should remain sufficient capacity to provide a warning for a further 4 minutes or, in the absence of a fire, a fault warning for at least 24 hours.

Interconnection - all smoke alarms and heat alarms in a dwelling should be interconnected so that detection of a fire in any alarm, operates the alarm signal in all of them. Smoke alarms and heat alarms should be interconnected in accordance with BS 5839: Part 6: 2019.

The system should be installed in accordance with the manufacturers written instructions. This should include a limitation on the number of smoke alarms and heat alarms which may be interconnected.

2.11.10 Radio linked systems

Radio linked interconnection between hard wired smoke alarms and/or heat alarms may be used for a Grade D system. More detailed guidance on the use of radio linked technology can be obtained from, BS 5839: Part 6: 2019.

2.12 Fire and rescue service access

Mandatory Standard

Standard 2.12

Every building must be accessible to fire and rescue service.

2.12.0 Introduction

Vehicle access to the exterior of a building is needed to enable high reach appliances, such as turntable ladders and hydraulic platforms, to be used, and to enable pumping appliances to supply water and equipment for fire-fighting and rescue activities. The access arrangements increase with building size and height.

Conversions - in the case of conversions, as specified in regulation 4, the building as converted shall meet the requirements of this standard in so far as is reasonably practicable, and in no case be worse than before the conversion (regulation 12, schedule 6).

2.12.1 Vehicle access provision

Access from a public road should be provided to assist fire and rescue personnel in their rescue and fire-fighting operations. Whilst the access will depend to some extent on the vehicles and equipment used, assistance may be provided from adjoining fire and rescue services when the need arises. For this reason, the more demanding guidance for high reach appliances may be recommended by the fire and rescue service. This may have a significant impact on planning and a feasibility study may be appropriate. Consultation with the fire and rescue service at the earliest opportunity is strongly recommended.

Vehicle access should be provided to at least one elevation of all domestic building to assist in fire-fighting and rescue operations.

Flats or maisonettes with a common entrance, a vehicle access route for fire-fighting vehicles from a public road should be provided not more than 45m from the common entrance.

In addition, where dry or wet fire mains are installed in a building, parking spaces should be provided for fire and rescue service vehicles a distance not more than 18m from riser inlets. The intention is to assist fire and rescue service personnel connect a short length of hose between the pumping appliance and the inlets to the fire mains quickly and efficiently therefore saving operational time.

However vehicle access routes to more than one elevation may not always be possible due to the constraints of the site, and pedestrian access for fire and rescue service personnel, as described in clause 2.12.4, may be sufficient. In such cases, advice from the fire and rescue service should be sought.

Every house should be provided with a vehicle access route for fire-fighting vehicles from a public road to not more than 45m from any door giving direct access to the interior of the dwelling.

2.12.2 Vehicle access routes

Access routes to buildings for fire and rescue service vehicles or personnel should not be assessed in isolation and the proposed vehicle access routes will in effect, will be dictated by need for water hydrants and other fire-fighting facilities such as fire mains (see clause 2.14.7).

Dead end route - fire and rescue service vehicles should not have to reverse more than 20m from the end of an access road. Where any dead-end route is more than 20m long, turning facilities should be provided. This can be a turning circle or a hammerhead designed on the basis of the diagram and table below.

In rural areas, access from a public road may not be possible to within 45m of an entrance to the building, and access from a private road will suffice provided the guidance in the table below has been followed. The vehicle access route assumes that access for pumping appliances will be sufficient for houses, but that provision for high reach appliances should be made to buildings containing flats or maisonettes. Where, in consultation with the fire and rescue service access is only needed for pumping appliances, the smaller dimensions for a house may be used.

Figure 2.7 Turning facilities

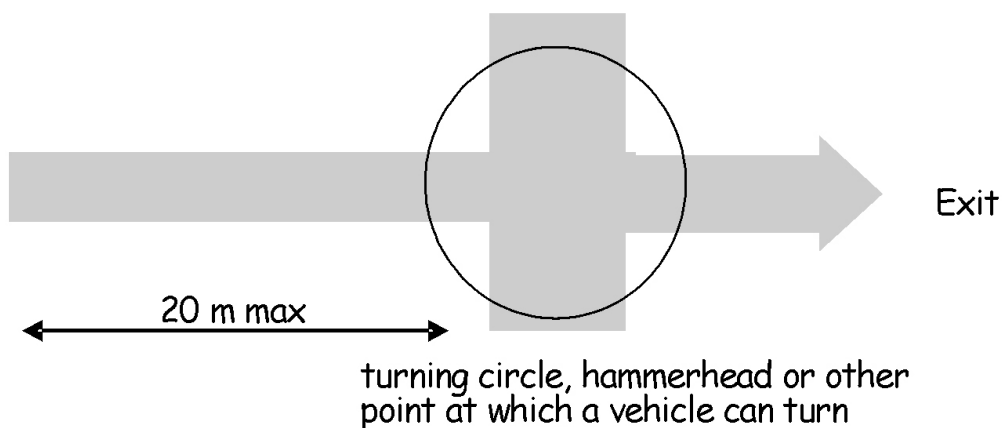


Table 2.7 Access route for fire and rescue service vehicles

Access	Flats and maisonettes	Houses
Minimum width of road between kerbs	3.7m	3.7m
Minimum width of gateways etc	3.5m	3.5m
Minimum clearance height	4.0m	3.7m
Minimum turning circle between kerbs	26.0m	16.8m
Minimum turning circle between walls	29.0m	19.2m
Minimum axle loading	14 tonnes	14 tonnes

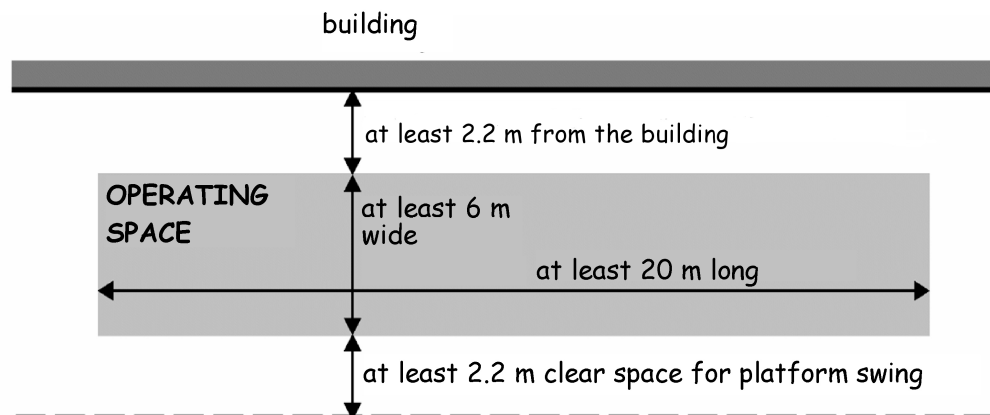
2.12.3 Operating spaces for high reach appliances

Following consultation with the fire and rescue service, if it is recommended that an operating space, or spaces, for a high reach appliance should be provided, the operating space(s) should:

- have a ground loading capacity of not less than $8.3\text{kg}/\text{cm}^2$, and
- be level or not have a gradient more than 1 in 12.

The operating space shown in the diagram below is suitable for either a hydraulic platform or turntable ladder. Where the building has obstructions such as balconies or other projections, the building line should be taken to be the outer edge of the balconies or other projections.

Figure 2.8 Minimum dimensions for operating space for high reach appliances



2.12.4 Access for fire and rescue service personnel

It is common practice for fire and rescue service personnel to enter a domestic building through the normal entrances and fight the fire head on. This is termed 'offensive fire-fighting'.

In order to allow unobstructed access to a domestic building for fire and rescue service personnel, a paved (or equivalent) footpath at least 900mm wide (see also Section 4 Safety) should be provided to the normal entrances, of a building.

In addition, where vehicle access is not possible to within 18m of the dry riser inlets (see clause 2.12.1), a footpath should also be provided to the riser inlets. This will allow the fire and rescue service to deploy portable pumps to relay water supplies to where the water is needed. Whilst this method of water distribution is quite common, it should be avoided for new developments because of the time delay in supplying water to the fire-fighters.

Every elevation which is provided with vehicle or pedestrian access for fire and rescue service personnel should have a door giving access to the interior of the building. Inward opening doors are preferable because this allows easier forced entry by fire and rescue service personnel should the need arise. However an outward opening final exit door or emergency door should also be considered as providing suitable access.

2.13 Fire and rescue service water supply

Mandatory Standard

Standard 2.13

Every building must be provided with a water supply for use by the fire and rescue service.

2.13.0 Introduction

The fire and rescue service should be provided with a water supply to assist with their fire-fighting and rescue operations. This is normally provided from public water mains through fire hydrants or alternative water supplies such as tanks or reservoirs may be provided.

In some cases, the existing water supply may be sufficient and there is no need to provide additional water supplies. Therefore, it is important to consult the fire and rescue service and water authority early in the design process to establish what water supply, if any, should be provided in order to carry out their statutory duties under the Fire (Scotland) Act 2005 as amended.

Conversions - in the case of conversions, as specified in regulation 4, the building as converted shall meet the requirement of this standard (regulation 12, schedule 6).

2.13.1 Fire and rescue service water supply

Fires in domestic buildings are generally smaller than fires in non-domestic buildings. Domestic building fires are usually contained within the dwelling or other ancillary room or space of fire origin. There may be sufficient water stored in the pumping appliance to fight the fire and carry out rescue operations without the need to connect to a fire hydrant. However there are occasions where the fire has spread or is difficult to contain such as fires in concealed spaces, and additional water supplies will be necessary to replenish the water storage tank on the appliance.

Every domestic building should, where agreed with the fire and rescue service, be provided with a water supply to assist fire-fighting and rescue operations from:

- a public water supply, or
- an alternative water supply.

2.13.2 Public water supply

A domestic building should be erected no more than 100m from a fire hydrant. An existing hydrant may be used in agreement with the fire and rescue service. Additional hydrants may be required in those cases where the building has fire mains (see Standard 2.14).

Where a domestic building is being erected more than 100m from an existing fire hydrant, the fire and rescue service should be consulted to establish whether additional fire hydrants are necessary to assist fire-fighting and rescue operations.

Where a new fire hydrant is required, it should be connected to a water service pipe capable of delivering water at a flow rate of 1500 litres per minute, provided by a water main vested in a public water authority or a water supply provided under the Fire (Scotland) Act 2005, as amended.

A fire hydrant should be clearly indicated by a plate, affixed nearby in a conspicuous position, in accordance with BS 3251:1976.

2.13.3 Alternative water supply

Where no piped water supply is available, or there is insufficient pressure and flow in the water main, or an alternative arrangement is proposed, the alternative source of supply should be considered as appropriate by the fire and rescue service.

2.14 Fire and rescue service facilities

Mandatory Standard

Standard 2.14

Every building must be designed and constructed in such a way that facilities are provided to assist fire-fighting or rescue operations.

2.14.0 Introduction

Facilities within a building are provided to assist the fire and rescue service carry out their statutory duties as efficiently and safely as possible. Fire and rescue service personnel are trained to enter buildings following the outbreak of fire to assist with any evacuation of the building occupants, effect rescues of any casualties and to fight fires. Fire-fighters operational duties are made on a statutory basis in the Fire (Scotland) Act 2005 as amended, which states:

“Each relevant authority shall make provision for the purpose of –

- a. extinguishing fires in its area
- b. protecting life and property in the event of fires in its area.”

The extent of fire development will vary with each incident and in any situation, the fire and rescue service will assess the need to evacuate the entire building whilst the fire is brought under control. Sometimes, the fire can develop to such an extent that additional fire-fighting teams may need to be summoned from other fire stations or fire authorities.

Fire-fighters will normally enter a building through the main entrance and attempt to attack the fire. This is termed ‘offensive fire-fighting’ and is normal practice regardless of

whether people are in the building or not. When conditions within the building become too hazardous for fire-fighters to remain, they will normally retreat a safe distance away from the building and implement 'defensive' fire-fighting tactics to control the spread of fire. In cases where a large fire develops, numerous fire-fighting teams may be involved using a combination of offensive and defensive tactics until the fire is brought under control and extinguished. Due to the high level of fire separation and containment within a building containing flats and maisonettes, it would be unusual for there to be a need to evacuate the fire floor or the entire building in the event of a fire. The level of fire separation should be such that, other than in the flat of fire origin, residents are safe to remain within their own flat or maisonette. However, circumstances may arise in which fire-fighters consider it necessary to evacuate residents from a small number of other flats and, on very rare occasions, the entire building. An evacuation alert system should be provided to assist the fire and rescue services in the evacuation of high rise domestic buildings if necessary (see clause 2.14.8).

Whilst fire-fighters are professionally trained to deal with all types of fire condition, the fire and rescue service facilities within a building are important to reduce fire attack time which in turn, could save lives, limit the fire damage to property and improve fire-fighter safety.

Conversions - in the case of conversions, as specified in regulation 4, the building as converted shall meet the requirement of this standard (regulation 12, schedule 6).

2.14.1 Fire and rescue service facilities

Fire and rescue service facilities may need to be provided in a building to assist with any evacuation of the building occupants, effect rescues of any casualties and to fight fires. The time taken for fire and rescue service intervention is dependent on a number of variables. The time to contact the emergency services, the location of the building in relation to the fire station and the height of the floor of fire origin above or below the fire and rescue service access level.

Fires in tall buildings or in basement storeys may present additional risks to fire and rescue service personnel. Fire and smoke can suddenly change direction and intensity due to a number of factors which might induce reverse air flows. For example, the wind direction and velocity (which increases with height) could have a significant impact when fire-fighters open the door to the dwelling of fire origin. Similarly, limited ventilation available in a basement storey can lead to heat and smoke build up that is released through the opening the fire-fighters are using as an entry point.

It is important that the facilities to assist the fire and rescue services take account of the building design. The Building Disaster Assessment Group carried out extensive research on behalf of the UK Government to assess the interaction between building design and the operational response of fire and rescue services. The subjects covered by the research included:

- physiological performance criteria for fire-fighting
- fire-fighting in under-ventilated compartments, and
- fire-fighting media in high-rise buildings.

The research is available on the UK Government website <http://www.communities.gov.uk/fire/>.

2.14.2 Number and type of facilities

Houses - facilities to assist the fire and rescue service need not be provided in a house. This is because the forward control point will be set up outside the building and the operations will commence from that point.

Flats and maisonettes - the further fire-fighters need to travel to reach the seat of the fire above or below ground, the greater the risk. Therefore, the number and type of facilities should be provided based on the height of the topmost storey above the fire and rescue service access level, the depth of any basement storeys below the access level and the distance from any fire mains outlets (see clause 2.14.7).

Facilities that may be necessary include:

- fire-fighting stairs (see clause 2.14.3)
- fire-fighting lifts (see clause 2.14.4)
- fire-fighting lobbies (see clause 2.14.5)
- heat and smoke control e.g. natural or mechanical ventilation (see clause 2.14.6), and
- fire mains i.e. wet or dry risers (see clause 2.14.7).

Height of topmost storey - building design should complement fire-fighting and rescue capability. The 7.5m storey height above the ground is historically linked to the height at which fire and rescue service personnel can rescue occupants using the standard 13.5m portable ladder. Whilst this practice is no longer common, for health and safety reasons, fire fighters continue to carry out external rescues as a last resort and building design should recognise this.

The 18m storey height above the ground is also historically linked with the reach capability of fire and rescue service equipment such as wheeled escape ladders (now obsolete). The general intent is that buildings with a storey at a height of more than 18m above the access level, cannot be easily reached by fire and rescue service equipment and personnel. Therefore, at least 1 fire-fighting shaft (fire-fighting stair, fire-fighting lobby, fire mains and in some cases a fire-fighting lift) is provided within the building to allow equipment and personnel to be deployed as quickly as possible.

In addition, fire-fighters cannot apply water jets from fire hoses onto external walls high above the ground because of the limited reach capability. The guidance throughout this handbook including Standard 2.7, fire spread on external walls, recognises this limitation.

The fire and rescue service facilities recommended in the table should be applied on every storey however the lowest basement storey sets the level of facilities recommended throughout the basement storeys only. The depth of the lowest basement storey is measured from the fire and rescue service access level to the upper surface of the lowest basement storey. The height of the topmost storey of a building is measured from the fire and rescue service access level to the upper surface of the topmost storey.

Table 2.8 Fire and rescue service facilities

Height and depth of storey above or below fire and rescue service access level [1]	Type of facilities [2]
Basements at a depth not more than 4.5m below access level	fire-fighting stair (see clause 2.14.3) ventilation to stair (see clause 2.14.6)
Topmost storey not more than 7.5m above access level	fire-fighting stair (see clause 2.14.3) ventilation to stair (see clause 2.14.6)
Topmost storey more than 7.5m but not more than 18m above access level	fire-fighting stair (see clause 2.14.3) fire-fighting lobby (see clause 2.14.5)

Height and depth of storey above or below fire and rescue service access level [1]	Type of facilities [2]
	ventilation to stair and fire-fighting lobby (see clause 2.14.6) dry fire main located in fire-fighting lobby (see clause 2.14.7)
Topmost storey more than 18m but not more than 50m above access level	fire-fighting stair (see clause 2.14.3) fire-fighting lift (see clause 2.14.4) fire-fighting lobby (see clause 2.14.5) ventilation to stair, and fire-fighting lobby (see clause 2.14.6) dry fire main located in fire-fighting lobby (see clause 2.14.7) evacuation alert systems for use by fire and rescue services (see clause 2.14.8) storey identification signs and dwelling indicator signs (see clause 2.14.9)
Topmost storey more than 50m but not more than 60m above access level	fire-fighting stair (see clause 2.14.3) fire-fighting lift (see clause 2.14.4) fire-fighting lobby (see clause 2.14.5) ventilation to stair, and fire-fighting lobby (see clause 2.14.6) wet fire main located in fire-fighting lobby (see clause 2.14.7) evacuation alert systems for use by fire and rescue services (see clause 2.14.8) storey identification signs and dwelling indicator signs (see clause 2.14.9)

Additional information:

1. The access level is the level at which the fire and rescue service enter the building to commence fire-fighting and rescue operations.
2. Ventilation to stairs includes both escape stairs and fire-fighting stairs (see clause 2.14.6).

2.14.3 Fire-fighting stairs

At least 1 fire-fighting stair should be provided to assist fire-fighters to access the fire and if necessary escape from the fire in relative safety. The fire-fighting stair should be at least 1.0m wide measured between handrails to provide fire and rescue service personnel sufficient room to carry fire-fighting and rescue equipment.

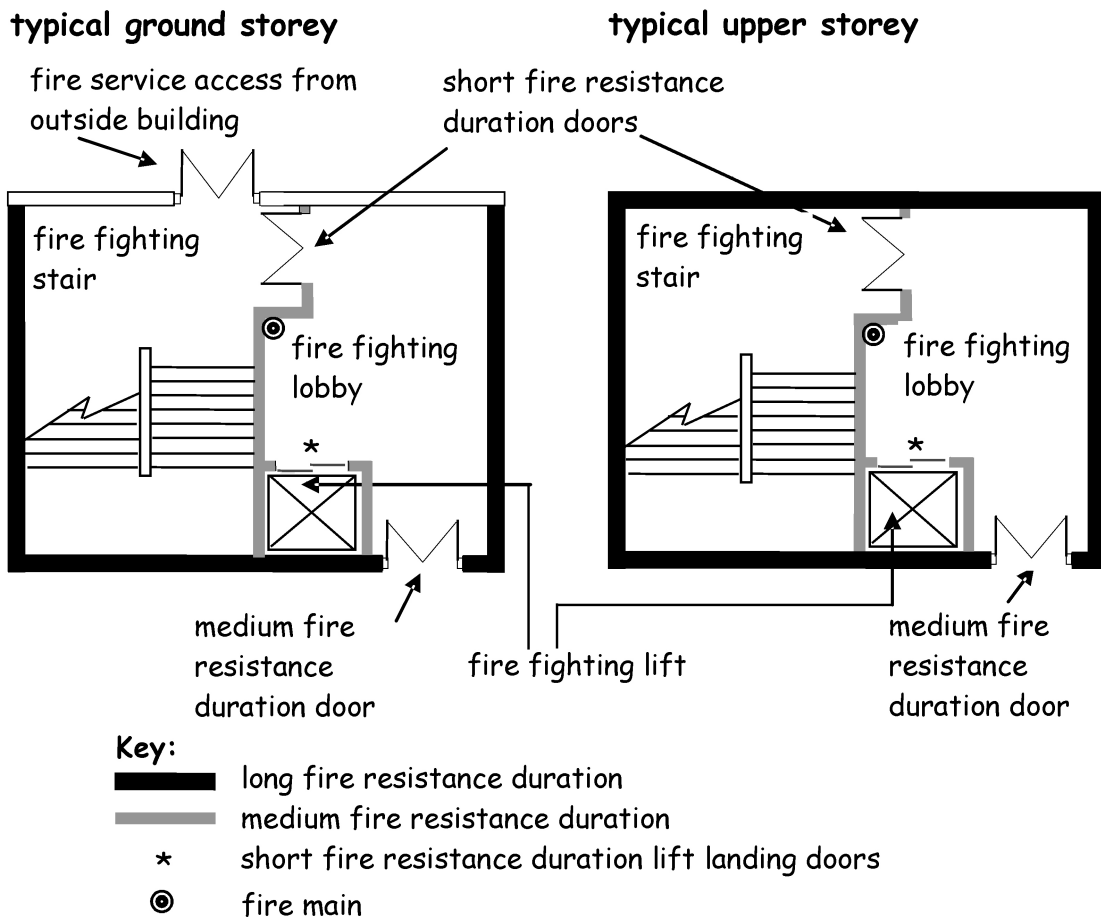
A fire-fighting stair and where required a fire-fighting lobby and fire-fighting lift should be contained within a protected zone. The enclosing structure of the protected zone should

have at least a medium fire resistance duration. The protected zone should have a long fire resistance duration where it serves a building where the topmost storey is more than 18m above the fire and rescue service access level. A self-closing fire door in the enclosing structure of a protected zone should have a short fire resistance duration and in the case of a high rise domestic buildings, a medium fire resistance duration. A fire-fighting stair can also be used as an escape stair.

The wall separating the fire-fighting stair from the fire-fighting lobby (where necessary, see table to clause 2.14.2) should have at least a medium fire resistance duration and the self-closing fire door should have at least a short fire resistance duration. The wall separating the fire-fighting lobby from the remainder of the building should have a long fire resistance duration and the door should be a self-closing fire door with a medium fire resistance duration.

Figure 2.9 Building with a storey height more than 18m

Fire and rescue service facilities - buildings with storey height of more than 18m



Note

For heat and smoke control see clause 2.14.6

2.14.4 Fire-fighting lifts

In high rise domestic buildings, a fire-fighting lift should be provided to assist fire-fighters to transport equipment to a floor of their choice as quickly as possible. The lift also allows

fire-fighters to access several floors quickly to assess the situation and to rescue any casualties.

The fire-fighting lift installation includes the lift car itself, the lift well and the lift machinery space, together with the lift control system and the lift communication system. The lift control and communication system should be capable of being used under the direct control of the fire and rescue services. The lift installation should conform to BS EN 81: Part 72: 2015 and BS EN 81: Part 20: 2014 or BS EN 81: Part 50: 2014 depending on the type of lift.

A fire-fighting lift should be located within a protected zone and constructed within its own compartment having at least a medium fire resistance duration. The lift landing doors need only achieve a short fire resistance duration.

The fire-fighting lift should only be entered from:

- a fire-fighting lobby with not more than 1 door to the room or storey it serves, or
- an open access balcony.

A fire-fighting lift need not serve the top storey of a building where:

- the top storey is for service plant use only, and
- access to the plant room is from the fire-fighting stair from the storey below, and
- the foot of the fire-fighting stair is not more than 4.5m from the fire-fighting lift.

2.14.5 Fire-fighting lobbies

A fire-fighting lobby serves a fire-fighting stair and a fire-fighting lift where appropriate. Where a fire-fighting lobby is required (see table to clause 2.14.2), it should be located within a protected zone and should be provided on every storey. The purpose of a fire-fighting lobby is:

- to allow fire-fighters to set up a forward control point at least 1 floor below the fire floor where fire-fighters and fire-fighting equipment can safely be assembled before commitment to fire-fighting and rescue operations
- to protect fire-fighters when making their final approach to the fire floor
- to protect any evacuees or fire-fighters who might be using the stair from a fire in the lift well or lift machine room
- to provide fire-fighters with a safe route of egress from the fire, or if the lift should fail or its reliability becomes uncertain
- to protect fire-fighters who might accidentally arrive at the fire floor
- to reduce the potential for fire-fighters to become disoriented due to poor visibility, and
- to protect the lift from the effects of fire and smoke in adjoining accommodation.

Therefore, a fire fighting lobby should be provided on every storey, and have an area of at least 5m² with all principal dimensions at least 1.5m. This allows fire-fighters sufficient room to lay out hose and connect to the outlet from a fire main.

In buildings where the topmost storey height is more than 18m above fire and rescue service access level a fire-fighting lobby should have not more than 1 door to the room or storey it serves.

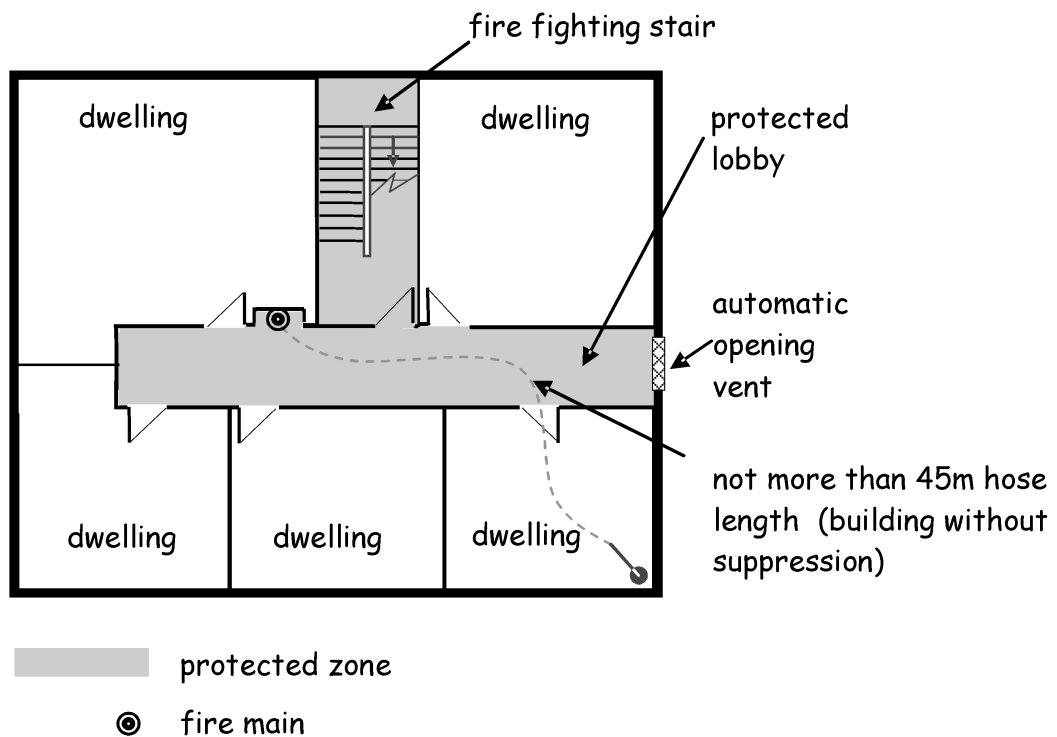
However a fire-fighting lobby need not be provided where:

- the topmost storey of the building is no more than 18m above fire and rescue service access level, or
- access to the flats and maisonettes is from an open access balcony serving a storey in a building with a storey height of not more than 60m.

In these cases, the fire main may be located in the protected corridor, protected lobby or open access balcony provided an area of at least 5m² with all principal dimensions of at least 1.5m is available at the fire main outlet which is located adjacent to the protected door leading to the fire-fighting stair.

Figure 2.10 One Escape Route - Storey height 7.5m to 18m

Typical upper floor - one escape route - storey height more than 7.5m but not more than 18m



Note

For heat and smoke control see clause 2.14.6

2.14.6 Heat and smoke control

The fire and rescue service should be provided with the facility to release smoke and heat from a fire during their fire-fighting and rescue operations. Ventilation should be provided to every escape stair, fire-fighting stair, fire-fighting lobby and to every protected lobby or protected corridor where appropriate (see table to clause 2.14.2). The efficiency of the ventilators depends upon the prevailing wind and it is important that fire-fighters can control the opening and closing of the ventilators on arrival at the building.

Ventilators should be fitted with a simple handle or lock that can be easily operated by fire-fighters including where automatic opening ventilators are recommended in clause 2.9.15. If ventilators are not easily accessible they should be operated by a mechanism positioned

within the building at the fire and rescue service access point. In the case of an escape stair and fire-fighting stair, a local control should also be provided at the topmost storey. This will allow fire-fighters flexibility in their operations.

Escape stairs and fire-fighting stairs - ventilation should be provided to every escape stair and every fire-fighting stair by:

- a ventilator of at least 1m^2 at the top of the stair, or
- a ventilator of at least 0.5m^2 at each storey on an external wall, or
- 'Smoke shafts protecting fire-fighting shafts; their performance and design' (BRE, 2002).

Protected lobbies, protected corridors and fire-fighting lobbies - ventilation should also be provided in protected lobbies, protected corridors and fire-fighting lobbies by:

- a ventilator of at least 1.5m^2 at each storey on an external wall, or
- smoke shafts as described in the guidance to Standard 2.9, or
- 'Smoke shafts protecting fire-fighting shafts: their performance and design' (BRE, 2002).

A natural or mechanical smoke ventilation system used to satisfy Standard 2.9 may also be used to satisfy Standard 2.14 with the agreement of the fire and rescue service.

2.14.7 Fire mains

Where there is an outbreak of fire high above the fire and rescue service access level, the time taken to set up a forward control point, assess the situation and carry hoses up several flights of stairs can be considerable. Therefore, in a building where the topmost storey is more than 7.5m, a fire main should be installed in the fire-fighting lobby to help reduce fire attack time. Fire mains may be located in a protected lobby, protected corridor or open access balcony (see clause 2.14.5).

A dry fire main is a pipe installed in a building for fire-fighting purposes, which is normally dry but is capable of being charged with water by pumping from a fire and rescue service appliance. A dry fire main is commonly referred to as a 'dry riser'.

Dry fire mains should be designed and constructed in accordance with BS 9990: 2015 and boxes for fire mains outlets valves should conform to BS 5041: Part 4: 1975 (1987).

The inlets to the risers should be located externally to the building and not more than 18m from a parking space suitable for a pumping appliance. There should be a clear hose route between the appliance and the inlet.

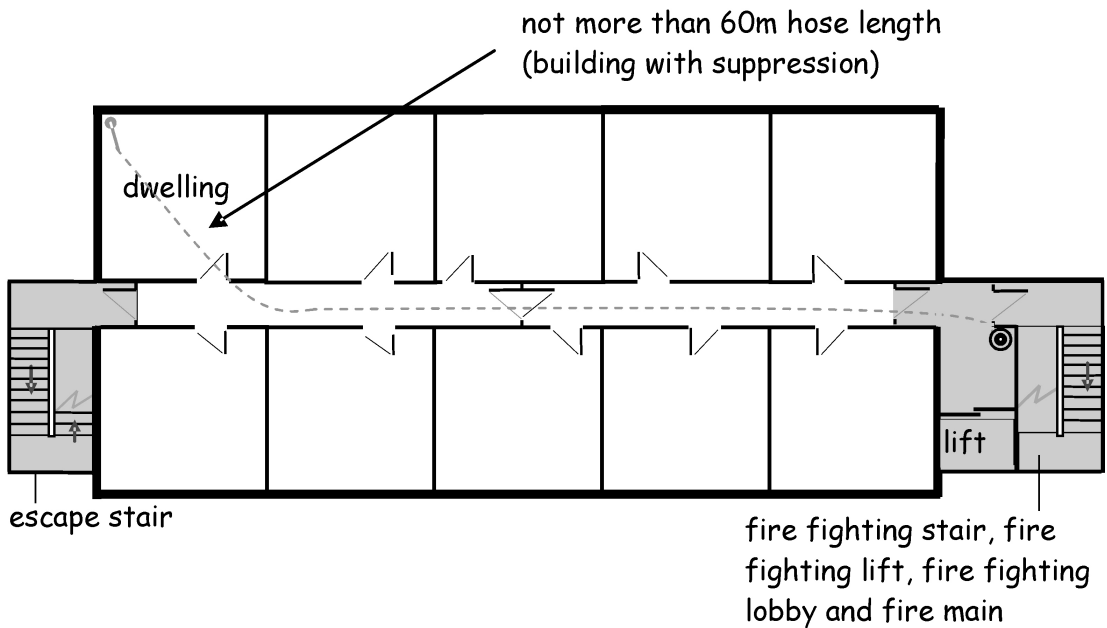
Wet fire main - the pressure and flow rates delivered from fire mains reduce with height above the ground and may not provide an effective water jet from fire-fighting hoses. Therefore, where the height of the topmost storey is more than 50m above the fire and rescue service access level, wet rising mains should be installed. A wet fire main is a pipe which is constantly charged with water supplied from a suction tank and pump. The suction tank should have an inlet for the emergency replenishment of water and is clearly visible to the fire and rescue services. A wet fire main is commonly referred to as a 'wet riser'.

Fire mains outlets should be provided on every storey of a building and the basement storey to permit fire-fighting operations to be conducted at any floor level when it is safe for fire and rescue service personnel to do so.

If an automatic fire suppression system is installed in the building, no point on the storey should be more than 60m from the fire main outlet, measured along an unobstructed route for laying a fire hose. If the building is not fitted with an automatic fire suppression system, no point on the storey should be more than 45m from the outlet.

Figure 2.11 Two Escape Routes

Typical upper floor - two escape routes - storey height more than 18m but not more than 60m



■ protected zone

⊙ fire main



Note

For heat and smoke control see clause 2.14.6

2.14.8 Evacuation alert system for use by the fire and rescue service

In domestic buildings with a storey more than 18m above ground level, an evacuation alert system (EAS) should be provided to enable the fire and rescue service to initiate operation of evacuation alert sounders within each dwelling on any single floor, multiple floors and the entire building, according to circumstances.

An evacuation alert system is not, and should not be confused with, a fire alarm system. The EAS should not be integrated with a fire detection and fire alarm system (or any other system), nor should any devices (such as fire detectors), other than evacuation alert devices, be connected to the EAS.

An EAS system should not be used as mitigation for any defects in construction or as a compensatory measure for reduction in any other measures identified in this Technical Handbook as a means of compliance with the standards nor is it acceptable for an EAS to be regarded as a component of a fire engineering solution; in either case, this would imply fire and rescue service attendance was part of mitigating, or compensatory measures, or a component of a design solution, all of which would be unacceptable.

Control equipment for the EAS should be prominently sited, within a secure enclosure, on the normal fire and rescue service entrance level, at a location close to the normal fire and rescue service entrance. An emergency lighting luminaire should be installed within 2m horizontally of the enclosure.

A square or rectangular sign, bearing the words Evacuation Alert Control & Indicating Equipment “EACIE: For Fire and Rescue Services Use Only”, should be fixed to the door of the cabinet. The wording should comprise white Sans Serif text, on a red background, with a lower case letter height of at least 10mm. The sign should incorporate the red flames pictogram specified for fire-fighting equipment in BS 5499-10. The sign should be of metal or traffolyte construction and should be fixed to the door of the cabinet by rivets or by at least four security screws.

The EAS should be designed, installed and commissioned in accordance with the recommendations of BS 8629: 2019.

Within each flat, at least one evacuation alert sounder, conforming to the requirements of BS EN 3, should be provided. Normally, only one sounder is likely to be necessary, but the sound pressure level of the alarm signal at each open bedroom doorway should be at least 85 dB(A). Sound pressure level within other habitable rooms should be at least 60 dB(A) when all doors in the dwelling are closed. Facilities conforming to the recommendations of BS 8629: 2019 should be incorporated to enable additional devices to be added to alert people who are Deaf or hard of hearing.

All wiring, other than the wiring of power supplies, should comprise cables of enhanced fire resistance duration, as specified in BS 8629: 2019. Power supply cables may comprise cables of standard, or enhanced, fire resistance duration.

BS 8629: 2019 does not provide recommendations for networked systems, in which evacuation alert sounders are connected to a number of local control panels (“sub-panels”), all connected on a data network. This arrangement might be necessary in a tall or very large block of flats. Such an arrangement is acceptable subject to maintaining the high integrity required of an evacuation alert system, following the principles in BS 8629: 2019. In particular, the system should conform to the following recommendations:

- a. The wiring of the data network should comprise cables of enhanced fire resistance duration;
- b. The data network should be fault tolerant, such that, in the event of a single open or short circuit fault on the network cable, the system should continue to operate fully in accordance with the recommendations of BS 8629: 2019, while giving an audible and visual fault indication at central EAS control equipment;
- c. Ideally, wiring of the data network should be diverse routed, such that the “return” leg of a loop circuit follows a different path from the “outward” leg. If this is not possible (e.g. because it is necessary for the data loop to be contained within a single service riser), the sub-panels and the entire data network should be located in areas of low fire risk (i.e. areas that are unlikely to be affected by a fire(s) in any flat, and the out and return legs should be separated by at least 300mm).

The above recommendations and those of BS 8629: 2019 are based on the assumption that evacuation alert devices will be installed in all flats in a block of flats with a storey more than 18m above ground level. If this is not the case, additional equipment will be necessary in close proximity to the EAS control equipment to indicate to the fire and rescue service those flats in which evacuation alert devices have been triggered and those devoid of such devices.

2.14.9 Storey identification signs and dwelling indicator signs

To assist the fire and rescue service to identify each storey in a domestic building with a storey at a height of more than 18m above the ground storey identification signs and dwelling indicator signs should be provided.

The storey identification signs, identifying the storey by “Floor Number” should be located on every landing of a fire-fighting stairway and every fire-fighting lobby (or open access balcony) into which a fire-fighting lift discharges.

The wording used on each sign should take the form Floor X, with X designating the number of the storey, as intended for reference by residents. This is important as it is likely to be the reference given to the fire and rescue service in any emergency call by a resident. Where the storey designations have not been determined, the default designations set out below should be adopted:

- The ground floor level (which is normally the fire and rescue service entrance level) should be designated as either Floor 0 or Ground Floor
- Each storey above ground level should be numbered sequentially beginning with Floor 1
- A lower ground floor should be designated as Floor -1 or Lower Ground Floor
- A basement level(s) should be designated as Floor -1 or Basement 1, etc., as appropriate.

The font of the letters on each storey identification sign should be a sans serif typeface (e.g. Helvetica Bold or Helvetica Medium). The letter height of all text should be at least 50mm. The height of the numeral that designates floor number should be at least 75mm. All text should comprise white letters on a green background. The sign should conform to the requirements of BS ISO 17938 for classification C phosphorescent signs.

Storey identification signs should be mounted such that they are clearly visible from the top step of a fire-fighting stairway, and from inside a fire-fighting lift when the lift car doors open. The mounting height of the signs, measured to the base of the sign, should be between 1.7m and 2m above floor level. As far as practicable, all the signs should be mounted at the same height.

To enable the fire and rescue service to deploy resources with the minimum of delay, all storey identification signs should be supplemented by dwelling indicator signs, which provide information as to the dwellings (flats or maisonettes) located on the storey in question. The wording on each dwelling indicator sign should take the form Flats X-Y, where X is the lowest dwelling number, and Y is the highest dwelling number, accessed via the storey. In the case of maisonettes, the dwelling number should only be indicated on the normal access storey for the maisonette.

The font of the letters on each dwelling indicator sign should be a sans serif typeface (e.g. Helvetica Bold or Helvetica Medium). The letter height of all text, and the height of the dwelling numbers, should be between one half and two thirds of the height of the words and numerals of the associated storey identification signs respectively.

All letters and numerals of dwelling indicator signs should be set out on a contrasting background within the sign. The sign should conform to the requirements of BS ISO 17398: 2004 for classification C phosphorescent signs.

Dwelling indicator signs should be sited immediately below the storey identification signs, such that the top edge of the dwelling indication sign is no more than 50mm below the bottom edge of the storey identification sign.

On entering a corridor or open balcony serving flats from a fire-fighting stairway or a fire-fighting lift, if dwellings are located in more than one direction, a directional dwelling indicator sign should be visible from the door to the corridor or open balcony. The directional dwelling indicator sign should comply with the recommendations for other dwelling indicator signs, but should incorporate arrows in conjunction with the dwelling numbers, indicating the direction of travel to reach each group of dwellings.

2.15 Automatic fire suppression systems

Mandatory Standard

Standard 2.15

Every building must be designed and constructed in such a way that, in the event of an outbreak of fire within the building, fire growth will be inhibited by the operation of an automatic fire suppression system.

Limitation:

This standard applies only to a building which:

- a. is an enclosed shopping centre
- b. is a residential care building
- c. [SSI deletes text but does not amend letters assigned to following categories]
- d. forms the whole or part of a sheltered housing complex
- e. is a school building other than a building forming part of an existing school or an extension to a school building where it is not reasonably practicable to install an automatic fire suppression system in that building or extension
- f. is a building containing a flat or maisonette
- g. is a social housing dwelling, or
- h. is a shared multi-occupancy residential building.

2.15.0 Introduction

Automatic fire suppression systems installed in domestic premises are primarily designed for life safety purposes. Successful activation can provide occupants, including vulnerable occupants, with additional time to escape following the outbreak of fire. The added benefit of automatic fire suppression in domestic buildings means that the damage and disruption caused by fire is greatly reduced.

Automatic suppression systems react to heat therefore, the greatest protection is afforded to those occupants outwith the room of fire origin. Automatic suppression may provide some benefit to occupants in the room of fire origin where for example the fire growth is fast and the temperatures allow the sprinkler system (normally 1 or 2 heads) to open early in the development phase of the fire. The spray pattern delivered from the sprinkler heads should control fire spread. Whilst the effect of sprinkler spray will increase the smoke volume and could obscure exits, smoke temperatures and toxicity will be greatly reduced. In some cases, the fire might be extinguished if the fire is not shielded from the sprinkler spray.

While supporting the installation of automatic fire suppression systems in buildings, the Association of British Insurers (ABI) advises that claims involving the escape of water are increasing year on year, costing the insurance industry in Britain £892 million in 2019. Although only a relatively small proportion of this was due to leakage from automatic

fire suppression systems, it does nonetheless reinforce the need to ensure that all water supply pipework in buildings, including those serving automatic fire suppression systems, is designed, installed and maintained correctly. The ABI have produced guidance 'ABI Study: Post Grenfell Research on Residential Sprinkler Systems' on issues to be considered to improve performance and in the procurement of residential and domestic sprinklers which is available on the ABI website. Although primarily addressing the use of automatic sprinklers, much of the guidance is also applicable to other types of automatic fire suppression systems.

Automatic life safety fire suppression systems are required in 3 categories of domestic building:

- dwellings which form part of a sheltered housing complex,
- buildings containing flats and maisonettes, and
- social housing dwellings.

Conversions - in the case of conversions, as specified in regulation 4, the building as converted shall meet the requirement of this standard (regulation 12, schedule 6).

2.15.1 Automatic fire suppression systems

The term automatic life safety fire suppression system includes sprinkler systems but provides the opportunity for designers to propose other systems which may be just as effective. The key characteristics of the system are:

- it must be automatic and not require people to initiate its activation
- it must be designed primarily to protect lives, rather than property, which means it should be fitted with faster responding sprinkler heads, and
- it must be a fire suppression system, one designed specifically to deal with fires rather than other hazards.

Concealed or recessed pattern sprinkler heads may be used in the system design. However there is a risk that the heads are rendered ineffective or operate less efficiently by the application of any decorative ceiling finish. Therefore, consideration should be given to labelling of the heads with words to the effect of 'DO NOT PAINT'.

Alternative suppression systems - The applicant and the verifier should satisfy themselves that the alternative system has been designed, tested and approved for use in domestic and residential buildings and are fit for their intended purpose (see Section 0). Watermist systems, for example, are bespoke to individual manufacturers and may be sensitive to small design changes. Therefore, a watermist system should be designed and installed in accordance with BS 8458: 2015 - TC (tracked changes) and the nozzles should comply with BS 8663-1: 2019 (provided the building is within the scope of the standards). Fire performance tests are critical as BS 8458 relies on this data to determine the system design. Watermist specialists should provide Declarations of Conformity:

- at design stage (initial notice)
- at final stage (all details and changes declared), and
- for nozzle manufacturers, successful BS 8458 and BS 8663 fire tests.

Portable personal protection systems are not considered suitable means of satisfying the requirements of Standard 2.15. They may, however, be beneficial in some unique situations in existing dwellings to assist in the protection of vulnerable occupants.

Alternative approaches in a particular case may or may not be compensated by an automatic fire suppression system.

2.15.2 Sheltered housing complexes

A sheltered housing complex is a purpose built complex comprising of 2 or more dwellings e.g. houses, flats and maisonettes, where the occupants are likely to receive a support service due to the nature of their vulnerability or need e.g. age, infirmity, disability, illness, mental disorder or are dependent on alcohol or drugs. Such occupants are likely to react slowly to the fire alarm (see Standard 2.11) and the suppression system may provide the additional time necessary to make a safe escape.

Therefore, a sheltered housing complex should have an automatic life safety fire suppression system designed and installed in accordance with BS 9251: 2014.

2.15.3 Buildings Containing Flats and Maisonettes

Research and fire statistics shows that occupants in flats and maisonettes would benefit from automatic fire suppression systems. Whilst fire statistics also show that fire spread beyond the dwelling of origin is a rare occurrence, fire dynamics suggest that any outbreak of fire through an external window or door opening is more likely to spread vertically than horizontally. Therefore, in order to protect occupants and to contain a fire in buildings containing flats and maisonettes, every flat and maisonette and any ancillary room should be provided with an automatic fire suppression system.

A fire sprinkler system in a flat or maisonette should be designed and installed in accordance with BS 9251: 2014.

2.15.4 Social Housing Dwellings

Statistics indicate that there is a greater prevalence of fires in social housing dwellings, In order to help contain a fire and to protect occupants, every house, flat and maisonette that is a social housing dwelling should be fitted with an automatic fire suppression system.

A fire sprinkler system in a social housing dwelling should be designed and installed in accordance with BS 9251: 2014.

2.15.5 Water supply

For a suppression system to be effective it is essential that there is an appropriate water supply. To assist the developer or designer in the initial stages of design, Scottish Water have produced a policy note on the installation of automatic fire suppression systems titled 'Sprinkler systems for domestic and residential occupancies'. The policy note may be downloaded from the resource section of Scottish Water's website. However, there is still a need for developers and designers to discuss project specific details with Scottish Water to determine what supply is likely to be available and what pressure can be expected. It is recognised that pressures will vary during the day and night over the year and perhaps in future years. Therefore, it is imperative that the system is designed on the basis of what the minimum pressure and flow is likely to be. If there is any doubt, a tank and pump arrangement should be used.

Therefore, it is strongly recommended that housing developers should consult Scottish Water and the suppression system contractor early in the design process. For example, benefit could be gained through economies of scale with the agreed provision of a communal water supply tank and pump(s).

Annex 2.A Resistance to fire

2.A.0 Introduction

This annex provides guidance on how to establish the resistance to fire of a building element or component. Whilst it could be argued that occupants of a building only need minutes to reach relative safety such as a protected zone, it should be remembered that the fire tests used to establish fire resistance duration in terms of time, do not replicate a real fire. In order to ensure the safe evacuation of the building occupants and to ensure that fire-fighters are not placed at undue risk, it is necessary to apply certain factors of safety to the fire resistance duration for structural and non-structural fire protection.

2.A.1 Fire resistance duration

Fire resistance durations are established from the guidance to Standards 2.1 to 2.15. Reference throughout this document to a short, medium or long fire resistance duration, will be satisfied by following the guidance in the table to this annex titled 'Fire resistance duration for common building elements or components'. The designer is free to choose materials or products which satisfy either the British Standard Tests or the Harmonised European Tests.

Any test evidence or assessment used to substantiate the fire resistance duration of a wall, floor, ceiling, door or shutter should be carefully checked to ensure that it demonstrates compliance with appropriate fire tests and performance criteria contained in this handbook and is applicable to the complete installed assembly. For example, in the case of floors or ceilings small differences in details such as openings for lighting or ventilation can significantly affect the rating. Similarly, fire doors may also have small differences in detail such as glazing apertures, intumescent strips, door frames and ironmongery etc which may significantly affect the rating.

Transitional period - British and European fire tests will co-exist in use until the British Standard classifications are withdrawn.

2.A.2 British Standards and associated specifications

The recommended fire resistance duration can be attained where the construction follows the guidance in the columns 3, 4 and 5 of the table below. The tests and specifications are:

- a. Clause 10 of BS 476: Part 20: 1987, when read in conjunction with - for load-bearing elements, BS 476: Part 21: 1987 for non-load-bearing elements, BS 476: Part 22: 1987, for components, BS 476: Part 23: 1987, for ventilation ducts, BS 476: Part 24: 1987
- b. for fire door assemblies with non-metallic leaves, BS 8214: 1990: Sections 1 and 2
- c. for structural steelwork, BS 5950: Part 8: 2003 or 'Fire Safe Design: A new approach to multi-storey steel framed buildings' published by The Steel Construction Institute (within the limitations described in the SCI Publication P288)
- d. for the structural use of timber, BS 5268: Part 4: Sections 4.1 and 4.2: 1990
- e. for the structural use of concrete, BS 8110: Part 2: 1985, Section 4.3 'Tabulated data (method 1)'.

2.A.3 Harmonised European Standards

The recommended fire resistance duration can be attained where the construction follows the guidance in Column 6 of the table above as specified in Commission Decision

2000/367/EC of 3/5/2000 implementing Council Directive 89/106/EEC as regards the classification of the resistance to fire of construction products, construction works and parts thereof.

BS EN 13501-2: 2007, Fire classification of construction products and building elements, Part 2- Classification using data from fire resistance tests (excluding products for use in ventilation systems).

BS EN 13501-3: 2005, Fire classification of construction products and building elements. Classification using data from fire resistance tests on products and elements used in building service installations: fire resisting ducts and fire dampers (other than smoke control systems).

BS EN 13501-4: 2007, Fire classification of construction products and building elements, Part 4 - Classification using data from fire resistance tests on smoke control systems.

The tests and specifications are:

BS EN 1363-1: 1999, Fire resistance tests, Part 1- General requirements.

BS EN 1363-2: 1999, Fire resistance tests, Part 2- Alternative and additional procedures.

BS EN 1363-3: 2000, Fire resistance tests, Part 3- Verification of furnace performance.

BS EN 1364-1: 1999, Fire resistance tests for non load-bearing elements - Part 1: Walls.

BS EN 1364-2: 1999, Fire resistance tests for non load-bearing elements - Part 2: Ceilings.

BS EN 1365-1: 1999, Fire resistance tests for load-bearing elements - Part 1: Walls.

BS EN 1365-2: 2000, Fire resistance tests for load-bearing elements - Part 2: Floors and roofs.

BS EN 1365-3: 2000, Fire resistance tests for load-bearing elements - Part 3: Beams.

BS EN 1365-4: 1999, Fire resistance tests for load-bearing elements - Part 4: Columns.

BS EN 1366-1: 1999, Fire resistance tests for service installations - Part 1: Ducts.

BS EN 1366-2: 1999, Fire resistance tests for service installations - Part 2: Fire dampers.

BS EN 1634-1: 2008, Fire resistance and smoke control tests for door and shutter assemblies, operable windows and elements of building hardware, Part 1 – Fire resistance tests for doors, shutters and operable windows.

BS EN 1634-2: 2008, Fire resistance and smoke control tests for door and shutter assemblies, operable windows and elements of building hardware, Part 2 – Fire resistance characterisation test for elements of building hardware.

BS EN 1634-3: 2004, Fire resistance and smoke control tests for door and shutter assemblies, operable windows and elements of building hardware, Part 3 – Smoke control test for door and shutter assemblies.

BS EN 81-58: 2003, Safety rules for the construction and installation of lifts – Examination and tests - Part 58: landing doors fire resistance test may be used in accordance with Council Directive 95/16/EC of 29/6/1995 implementing the Lifts Regulations 1997 (SI 1997/831).

Any reference to European Standards for Structure (Structural Eurocodes) must be taken to include the relevant UK National Annex:

BS EN 1991-1-2:2002, Eurocode 1: Actions on structures – Part 1-2: General actions – Actions on structures exposed to fire.

BS EN 1992-1-2:2004, Eurocode 2: Design of concrete structures – Part 1-2: General rules – Structural fire design.

BS EN 1993-1-2:2005, Eurocode 3: Design of steel structures – Part 1-2: General rules – Structural fire design.

BS EN 1994-1-2:2005, Eurocode 4: Design of composite steel and concrete structures – Part 1-2: General rules – Structural fire design.

BS EN 1995-1-2:2004, Eurocode 5: Design of timber structures – Part 1-2: General rules – Structural fire design.

BS EN 1996-1-2:2005, Eurocode 6: Design of masonry structures – Part 1-2: General rules – Structural fire design.

BS EN 1999-1-2:2007, Eurocode 9: Design of aluminium structures – Part 1-2: General rules – Structural fire design.

Table 2.9 Fire Resistance Duration

1	2	3	4	5	6	7
Construction	Fire resistance duration	British Standards Load bearing capacity (mins)	British Standards Integrity (mins)	British Standards Insulation (mins)	European Standards	Test exposure
1. Structural frame, column or beam	Short	30	None	None	R 30	Faces exposed on the inside
	Medium	60	None	None	R 60	
	Long	120	None	None	R 120	
2. Separating floor or any other floor, used as a protected route of escape (2.0.6)	Short	30	30	30	REI 30	From the underside
	Medium	60	60	60	REI 60	
	Long	120	120	120	REI 120	
3. Other than a floor in 2 or an intermediate floor within a flat or maisonette	Short	30	None	None	R 30	From the underside
	Medium	60	None	None	R 60	
	Long	120	None	None	R 120	
4. Separating wall or an internal wall or screen used as a protected route of escape (2.0.6) [1, 2]	Short	30 [4]	30	30	REI 30 [4]	Each side separately
	Medium	60 [4]	60	60	REI 60 [4]	
	Long	120 [4]	120	120	REI 120 [4]	
5. Load-bearing wall,	Short	30	None	None	R 30	Each side separately

1	2	3	4	5	6	7
Construction	Fire resistance duration	British Standards Load bearing capacity (mins)	British Standards Integrity (mins)	British Standards Insulation (mins)	European Standards	Test exposure
other than a wall in 4	Medium	60	None	None	R 60	
	Long	120	None	None	R 120	
6. Fire door in a wall in 4	Short	None	30 [6]	None	E 30 Sa [6]	Each side separately, when fitted in frame [7]
	Medium	None	60 [6]	None	E 60 Sa [6]	
	Long	None	120 [5,6]	None	E 120 Sa [5, 6]	
7. External wall more than 1m from a boundary [1, 2]	Short	30 [4]	30	None	RE 30 [4]	From the inside only
	Medium	60 [4]	60	30	RE 60 and I 30 [4]	
8. External wall not more than 1m from a boundary [1, 2]	Short	30 [4]	30	30	REI 30 [4]	From the inside only
	Medium	60 [4]	60	60	REI 60 [4]	
9. Horizontal cavity barrier [3]	Short	None	30	None	E 30	From the underside
10. Vertical cavity barrier [3]	Short	None	30	None	E 30	Each side separately
11. Ceiling in place of a cavity barrier (see 2.4.2b, 2.4.2c, 2.4.3)	Short	None	30	30	EI 30	From the underside

Additional information:

1. An external wall includes any external wall used to protect routes of escape (see clause 2.0.6) but excludes an unprotected area calculated in accordance with clauses 2.6.1 to 2.6.4.
2. Any door in an external wall, which is not included in the calculation of unprotected area, should have the same fire resistance duration and the same test exposure as the external wall.
3. In a timber stud wall or partition the following will also be deemed to have a short fire resistance duration:
 - a. polythene sleeved mineral wool, or mineral wool slab, in either case under compression when installed, or
 - b. calcium silicate, cement based or gypsum based board at least 12mm thick, or
 - c. steel at least 0.5mm thick, or
 - d. timber at least 38mm thick.

4. If the construction is non load-bearing, none in the case of column 3, and no load-bearing (R) in the case of column 6.
5. Medium fire resistance duration is sufficient for a fire door in the enclosing structure of a fire-fighting shaft.
6. Unless the fire door is in an external wall or a lift door or pressurisation techniques following the guidance in BS EN 12101: Part 6: 2005 are used, the fire door should also either:
 - a. in the case of column 4, have smoke seals fitted unless the leakage rate does not exceed 3 m³/m/hour, head and jambs only, when tested at 25 Pa according to BS476: Part 31: 1983 (Section 31.1) with AMD 8366/ November 1994, or
 - b. in the case of column 6, attain the additional classification of Sa when tested to BS EN1634-3: 2001.

Annex 2.B Reaction to fire

2.B.0 Introduction

The performance criteria in terms of reaction to fire can be satisfied by the European Harmonised fire tests. BS EN 13501-1: 2018 provides the fire classification procedure for all construction products in terms of their reaction to fire.

2.B.1 Reaction to fire classification

For all construction products, the consideration is of a fire, initiated in a room, which can grow and eventually reach flashover. This scenario includes three fire situations corresponding to three stages in the development of a fire:

- the first stage includes initiation of the fire by ignition of a product, with a small flame, on a limited area of a product,
- the second stage addresses fire growth eventually reaching flashover. It is simulated by a single burning item in a corner of the room, creating a heat flux on adjacent surfaces. For floorings, fire is seen to grow in the room of origin, creating a heat flux on the floorings in an adjacent room or corridor, through a door opening, and
- in the post-flashover phase all combustible products contribute to the fire load.

External wall cladding systems - Currently, there is no recognised European Harmonised fire test for facades or construction products exposed to a fire in a cavity. Therefore, the reaction to fire classification system in BS EN 13501-1: 2018 for external wall cladding systems has been adopted. It is important to understand the limitations of these tests and their intended field of application. For example, some tests are material or single component tests only and the single burning item (SBI) test is designed for internal linings. The SBI test can include the mounting technique used in its end-use application including any air gaps or substrate (see clause 2.B.2).

Even if an external wall cladding system is constructed of materials achieving European Classification A1 and A2, clients may wish to further assess the cladding system against the performance criteria in 'Fire performance of external thermal insulation for walls of multi-storey buildings' (BR 135, 2013) when tested in accordance with BS 8414-1: 2020 or BS 8414-2:2020. BS 9414: 2019 provides additional information on the application of results from BS 8414 tests. This large scale facade test may be used as an alternative to European Classification A1 or A2 where the external wall cladding system of a domestic building is less than 1m to the boundary and the building has no storey at a height of 11m or more above the ground.

The local authority verifier must notify the Building Standards Division where any proposal is supported by BS 8414 fire tests and BR 135 classification reports. Rigorous compliance checking of the design and construction must be undertaken and evidence recorded.

A list of exemptions to European Classification A1 and A2 components that form part of a non-loadbearing external wall cladding system is provided below:

- cavity trays;
- cavity vents;
- any part of a roof (other than a part of a roof pitched at an angle of 70° or more to the horizontal) if that part is connected to an external wall;
- door frames and doors;
- insulation and water proofing materials used below ground level and up to 300mm above ground level;
- intumescent and fire stopping materials, fire barriers and cavity barriers where the inclusion of the materials is necessary for compliance with the standards in Section 2 (Fire);
- membranes;
- seals, gaskets, fixings, sealants and backer rods;
- thermal break materials; and
- window frames and glass.

Notes:

[1] Window frames and glass includes glazed curtain walls or glazing to balconies which should retain any combustible interlayers in the event of a fire.

[2] See clause 2.7.1 for guidance on service penetrations.

2.B.2 Harmonised European Standards

Non-combustibility test (EN ISO 1182) identifies products that will not, or not significantly, contribute to a fire, regardless of their end use. The assumption is that products classified as A1 make no contribution to fire growth or to the fully developed fire. A product classified as A1 is assumed to present no smoke hazard.

The European Commission has drawn up a list of products which, under specified conditions, can be considered to be class A1 without testing. This information is given in the Commission Decision 96/603/EC (OJ L 267 19.10.1966 p23) as amended by 2000/605/EC (OJ L 258 12.10.2000 p36) and 2003/424/EC (OJ L 144 12.6.2003 p9).

Heat of combustion test (EN ISO 1716) determines the potential maximum total heat release of a product when completely burning, regardless of its end use.

Single burning item test (EN 13823) evaluates the potential contribution of a product to the development of a fire, under a fire situation simulating a single burning item in a room corner near to that product. When a classification includes “s3, d2” this means that there is no limit set for smoke production and/or flaming droplets/particles.

Ignitability test (EN ISO 11925-2) evaluates the ignitability of a product under exposure to a small flame.

Reaction to fire relates to the degree to which a product will contribute, by its own decomposition, to a fire under specified conditions. Products are classified as A1, A2, B, C, D, E or F (with class A1 being the highest performance and F being the lowest) in accordance with BS EN 13501-1: 2018. Class F is assigned when a product fails to attain class E. Untested products cannot be classified in accordance with BS EN 13501-1: 2018.

The classes of reaction to fire performance of A2, B, C and D are accompanied by additional classifications related to the production of smoke (s1, s2, s3), with s1 indicating the lowest production, and/or flaming droplets/particles (d0, d1, d2), with d0 indicating the lowest production. Classes E and F include flaming droplets/particles only as shown in table 2.10 below.

When a classification (other than as specified in Regulation 8) in this technical handbook refers to Class A2, B, C and D the sub-indices are deemed to include s3, d2 which means there is no limit set for smoke production and/or flaming droplets/particles.

Table 2.10 Reaction to Fire

European Classification [1]	Fire Test	Additional Classification
A1	BS EN ISO: 1182: 2020 and BS EN ISO: 1716: 2018 or Products made from only 1 or more of the materials considered as Class A1 without the need for testing, as defined in Commission Decision 96/603/EC of 4th October 1996 establishing the list of products belonging to Class A1 “No contribution to fire” provided for in the Decision 94/611/EC implementing Article 20 of the Council Directive 89/106/ EEC on the construction products. None of the materials contain more than 1.0% by weight or volume (whichever is the lower) of homogeneously distributed organic material.	None
A2	BS EN ISO: 1182: 2020 or BS EN ISO: 1716: 2018 and and BS EN 13823: 2020.	Smoke production and flaming droplets / particles
B, C and D	BS EN: 13823: 2020 and BS EN ISO: 11925-2: 2020.	Smoke production and flaming droplets / particles
E	BS EN ISO: 11925-2: 2020.	Flaming droplets / particles

2.B.3 Classified without Testing

There is a procedure by which certain products can be assigned a particular fire classification without the need for testing. Such products have well established reaction to fire performance and have been agreed by the Standing Committee on Construction. Agreements relating to such products which may be ‘classified without testing’ (CWT) are published in the Official Journal of the European Commission and are listed on the Nando-CPD database on the EC website.

European Classification A1 in Table 2.10 includes a list of products drawn up by the European Commission which, under specified conditions, can be considered to be Class A1 without testing. This information is given in the Commission Decision 96/603/EC (OJ L 267 19.10.1996 p23) as amended by 2000/605/EC (OJ L 258 12.10.2000 p36) and 2003/424/EC (OJ L 144 12.6.2003 p9).

Annex 2.C Vulnerability of roof coverings

2.C.0 Introduction

This annex provides guidance on the vulnerability of roof coverings and is concerned with the performance of roofs when exposed to fire from neighbouring buildings.

Commission Decision 2005/823/EC amending Decision 2001/671/EC establishing a classification system for the external fire performance of roofs and roof coverings allows the classification of performance by either:

- a. BS 476: Part 3: 2004 (National Test), External fire exposure roof tests, or
- b. BS EN 13501-5: 2016 (European Test), Fire classification of construction products and building elements, Part 5 - Classification using test data from external fire exposure to roof tests.

2.C.1 Vulnerability of roof coverings

The level of vulnerability is established from the guidance to Standard 2.1 to 2.15. Reference throughout this document to a low, medium or high vulnerability, will be satisfied by following the guidance in the table below. The British Standard classification does not automatically equate with the equivalent classifications in the European standards column, therefore products cannot typically assume a European class, unless they have been tested accordingly. The designer is free to choose materials or products, which satisfy either the British Standard Tests or the Harmonised European Tests.

Transitional period - British and European fire tests will co-exist in use until the British Standard classifications are withdrawn.

2.C.2 British Standards and associated specifications

The national test for roof coverings is BS 476: Part 3: 2004 which measures the capability of a roof to resist penetration from fire and flame spread when the external surface is exposed to radiation and flames.

BS 476: Part 3: 2004 sets out a classification system based on external penetration and flame spread as set out in the following table. The first letter of the designation indicates fire penetration performance i.e. the time at which any glowing or flaming [other than that from the gas pilot flame] appears on the underside of the specimen. The second letter of the designation indicates flame spread performance. The addition of the suffix 'X' indicates dripping from the underside of the specimen, any mechanical failure or development of holes in the specimen. The angle of the specimen in the test is designated by the prefix 'S' [slope] or 'F' [flat].

Table 2.11 Roof Coverings: Penetration from fire and flame spread

Penetration	Flame spread
A. Those specimens which have not been penetrated within 60 minutes	A. Those specimens on which there is no spread of flame
B. Those specimens which are penetrated in not less than 30 minutes	B. Those specimens on which there is not more than 525mm spread of flame
C. Those specimens which are penetrated in less than 30 minutes	C. Those specimens on which there is more than 525mm spread of flame

Penetration	Flame spread
D. Those specimens which are penetrated in the preliminary test	D. Those specimens which continue to burn for more than 5 minutes after the withdrawal of the test flame or spread of flame more than 375mm across the region of burning in the preliminary test

2.C.3 Harmonised European Standards

The European test method has been published as DD ENV 1187: 2002, 'Test methods for external fire exposure to roofs', which specifies four methods for determining the performance of roofs to external fire exposure:

- Test 1 : with burning brands
- Test 2 : with burning brands and wind
- Test 3 : with burning brands, wind and supplementary radiant heat
- Test 4 : two stage test method incorporating burning brands, wind and supplementary radiant heat.

Only test method 4 evaluates penetrability in a satisfactory way to satisfy the fire performance requirements in the United Kingdom. For this reason, (t4) has been added to the European test designations to add clarity.

The performance criteria in terms of vulnerability to external fire exposure can be satisfied where the roof covering follows the guidance in the following table. The classification methodology is contained in BS EN 13501-5: 2016.

Table 2.12 Classification for roofs / roof coverings exposed to external fire

Classification for roofs / roof coverings exposed to external fire	
Broof (t4)	<ul style="list-style-type: none"> a. No penetration of roof system within 60 minutes b. In preliminary test, after withdrawal of the test flame, specimens burn for less than 5 minutes c. In preliminary test, flame spread less than 0.38m across region of burning
Croof (t4)	<ul style="list-style-type: none"> a. No penetration of roof system within 30 minutes b. In preliminary test, after withdrawal of the test flame, specimens burn for less than 5 minutes c. In preliminary test, flame spread less than 0.38m across region of burning
Droof (t4)	<ul style="list-style-type: none"> a. Roof system is penetrated within 30 minutes but is not penetrated in the preliminary test b. In preliminary test, after withdrawal of the test flame, specimens burn for less than 5 minutes c. In preliminary test, flame spread less than 0.38m across region of burning
Eroof (t4)	<ul style="list-style-type: none"> a. Roof system is penetrated within 30 minutes but is not penetrated in the preliminary test

Classification for roofs / roof coverings exposed to external fire	
	b. Flame spread is not controlled
Froof (t4)	a. No performance determined

Table 2.13 Vulnerability of roof coverings

1	2	3
Vulnerability	British Standards	European Standards
Low	<p>a. Designation AA, AB or AC when tested along with the substrate in accordance with BS 476: Part 3: 2004, or</p> <p>b. Glass at least 4mm thick, or</p> <p>c. A roof covering or rooflight of plastics materials which is in an open canopy or over a substantially open area such as a loading bay which is a single-skin polycarbonate sheet not more than 3mm thick or multi-skin polycarbonate sheet, or a thermoplastic material (see clause 2.5.4): a specimen of which when tested in accordance with Method 508A in BS 2782: 1970 (1974), performs so that the test flame does not reach the second mark within 2 minutes, the specimen thickness to be more than 1.5mm and not more than 3mm, or</p> <p>d. A thermoplastic sheet with a European Classification B or C (see table to annex 2.B) or a rigid solid PVC (uPVC), or a polycarbonate rigid solid sheet at least 3mm thick, or a multi-skin polycarbonate sheet at least 10mm thick overall.</p>	<p>The material has achieved a classification of Broof(t4) in accordance with BS EN 13501-5: 2016 when tested to DD ENV 1187: 2002 + A1:2005, test 4.</p>
Medium	<p>a. Designation BA, BB, BC, CA, CB or CC when tested along with the substrate in accordance with BS 476: Part 3: 2004, or</p>	<p>The material has achieved a classification of Croof(t4) and Droof(t4) in accordance with BS EN 13501-5: 2016 when tested to DD ENV 1187: 2002 + A1:2005, test 4.</p>

1	2	3
Vulnerability	British Standards	European Standards
	<p>b. A roof covering or rooflight of plastics materials which is a single-skin polycarbonate sheet not more than 3 mm thick or multi-skin polycarbonate sheet, or thermoplastic material, a specimen of which when tested in accordance with Method 508A in BS 2782: 1970 (1974), performs so that the test flame does not reach the second mark within 2 minutes, the specimen thickness to more than 1.5mm and not more than 3mm.</p>	
High	Any designation other than low or medium vulnerability, including for example, timber shingles or thatch.	The material has achieved a classification of Eroof(t4) and Froof(t4) in accordance with BS EN 13501-5: 2005 when tested to DD ENV 1187: 2002 + A1:2005, test 4.

Environment

3.0 Introduction

3.0.1 Background

Water, air and soil are intricately linked and all can be affected by various forms of pollution that affect our environment. Other issues such as condensation have been a constant threat to people and buildings for many years.

Industrial change and demographic shift during the 19th and 20th centuries resulted in large-scale re-organisation of our villages, towns and cities. Industries moved out or disappeared altogether leaving large, 'brownfield', gaps in our landscape. At the same time, changes in heating methods and the advent of the consumer society, have had a significant effect on the type and volume of refuse it has been necessary to dispose of to landfill. Inevitably, these changes have left behind a legacy of land contamination that in some cases, may be harmful. The Scottish Government encourages the use of previously developed land (brownfield) and local authorities may wish to promote brownfield land in preference to greenfield land. Some of this land will be contaminated and will need to be made safe.

Climate is controlled by the long-term balance of energy of the Earth and its atmosphere. Natural events cause changes in climate but human activities can also change the climate. The accumulation of greenhouse gases in the atmosphere due to human activities will change the climate by enhancing the natural greenhouse effect, leading to an increase in the Earth's average surface temperature resulting in heavier rainfall.

Indoor air quality complaints are frequently associated with comfort issues: high or low temperatures, draughts, high or low humidity or poor lighting. However the incidence of real indoor pollution should not be ignored, it is surprisingly common. The construction quality of dwellings is improving with a resulting reduction of adventitious air infiltration producing fewer air changes. Inadequate ventilation, inefficient filtration and poor hygiene all contribute to poor indoor air quality.

Carbon monoxide (CO) gas has no smell, taste or colour and it kills dozens of people in their homes every year. Many more suffer debilitating illnesses often without anybody realising that they are being poisoned. CO gas is produced by combustion appliances such as fires, boilers and water heaters. Any appliance that burns solid fuel, gas or oil and that does not have a room-sealed balanced flue so that it is sealed off from the room, is capable of poisoning you if it is not properly installed, maintained and serviced. The highest incidence of CO poisoning occurs in domestic buildings.

Oil accounts for about a third of all reported pollution incidents in Scotland that are investigated by the Scottish Environment Protection Agency (SEPA). That means around 500 to 600 pollution incidents a year with about 10 to 12% being serious. It is an offence to cause pollution and courts now impose heavy fines. Although domestic pollution is low compared with commercial and industrial buildings, it is important to ensure standards are not lowered.

Disposal of wastewater and surface water also needs to be carefully considered to prevent environmental pollution and uncontrollable run-off during periods of heavy rainfall leading to flooding. The incorporation of water conservation measures in buildings can reduce pressure on precious water resources by recycling water from certain types of appliance. Recycling can also reduce the reliance on mains water and limit the amount of water discharged thus alleviating the risk of flooding. The inclusion of 'green roofs' into building design can also provide benefits to the environment and building owners alike. Although

viewed as mainly a vernacular building practice renewed interest is being shown in this technique due to the diverse benefits that can be achieved, such as:

- run-off attenuation helps reduce sewer surcharging
- absorbs greenhouse gases
- absorbs air pollution
- protects the roof finish from mechanical damage and ultra-violet radiation, and
- provides additional insulation.

Solid waste has increased enormously in the last couple of decades and disposal to land fill sites is creating severe problems. Recycling is now a priority.

3.0.2 Aims

The intention of this section is to ensure that, as far as is reasonably practicable, buildings do not pose a threat to the environment and dwellings, and people in or around buildings, are not placed at risk as a result of:

- a. site conditions
- b. hazardous and dangerous substances
- c. the effects of moisture in various forms
- d. an inadequate supply of air for human occupation of a building
- e. inadequate drainage from a building and from paved surfaces around a building
- f. inadequate and unsuitable sanitary facilities
- g. inadequate accommodation and facilities in a dwelling
- h. inadequately constructed and installed combustion appliances
- i. inadequately constructed and installed oil storage tanks
- j. inadequate facilities for the storage and removal of solid waste from a dwelling.

3.0.3 Latest changes

The following is a summary of changes made to this section since 1 October 2015.

Standard 3.2 - guidance on protection from radon gas revised and reference made to updated BRE guidance.

Standard 3.6 - guidance amended to make reference to the revised CIRIA publication C753 "The SUDS Manual".

Standard 3.23, Table 3.18 - guidance on inhibiting fire spread to woody biomass stores amended to rectify a typographical error.

3.0.4 Relevant legislation

Listed below are some pieces of legislation that may be relevant and/or helpful to those using the guidance in this particular section.

The Gas Safety (Installations and Use) Regulations 1998 require that any person who installs, services, maintains, removes, or repairs gas fittings must be competent. It covers not only materials, workmanship, safety precautions and testing of gas fittings but also the safe installation of all aspects of gas-fired appliance installations.

The Gas Appliance (Safety) Regulations 1995 cover all aspects of gas appliances and fittings and sets safe standards to satisfy the essential requirements set by the EU. It sets procedures and duties for demonstrating attestation of conformity.

The Control of Pollution Act 1974 covers, among others, duties and powers of the local authority to control and dispose of solid waste.

The Environment Act 1995 covers, among others, duties and powers of the Scottish Environment Protection Agency.

The Environmental Protection Act 1990 covers, among others, management and enforcement of the collection, disposal and treatment of waste, control of hazardous substances, oil pollution and nature conservation. Part IIA covers contaminated land.

The Groundwater Regulations 1998 were introduced to prevent pollution of groundwater and to manage groundwater resources in a sustainable way.

The Water Environment and Water Services (Scotland) Act 2003 sets up an integrated regime for water quality and quantity management.

The Water Byelaws apply to any water fitting installed or used in buildings where water is supplied by Scottish Water other than where specifically exempted.

The Sewerage (Scotland) Act 1968 covers, among others, duties and powers of the local authority to provide, construct and maintain public sewers and rights of connection and discharge.

The Water Environment (Controlled Activities)(Scotland) Regulations 2005 gives Ministers the power to introduce controls over a range of activities that have an adverse impact upon the water environment.

The Water Environment (Oil Storage)(Scotland) Regulations 2006 were introduced to help reduce the incidence of oil pollution particularly from inadequate storage.

3.0.5 Certification

Scottish Ministers can, under Section 7 of the Building (Scotland) Act 2003, approve schemes for the certification of design or construction for compliance with the mandatory functional standards. Such schemes are approved on the basis that the procedures adopted by the scheme will take account of the need to co-ordinate the work of various designers and specialist contractors. Individuals approved to provide certification services under the scheme are assessed to ensure that they have the qualifications, skills and experience required to certify compliance for the work covered by the scope of the scheme. Checking procedures adopted by Approved Certifiers will deliver design or installation reliability in accordance with legislation.

3.1 Site preparation – harmful and dangerous substances

Mandatory Standard

Standard 3.1

Every building must be designed and constructed in such a way that there will not be a threat to the building or the health of people in or around the building due to the presence of harmful or dangerous substances.

Limitation:

This standard does not apply to the removal of unsuitable material, including turf, vegetable matter, wood, roots and topsoil on the site of a building (other than a dwelling) intended to have a life not exceeding the period specified in regulation 6.

3.1.0 Introduction

Land contamination is an unwanted legacy of Britain's long industrial history. Part IIA of the Environmental Protection Act 1990 (inserted by Section 57 of the Environment Act 1995) was introduced to enable the identification and remediation of contaminated land from which contamination currently represents an unacceptable risk. Risks associated with the land's future use will continue to be dealt with under the planning and building standards system. Some functions of Part IIA, planning and building standards regimes may, at times, overlap.

Public registers - Part IIA adopts a 'suitable for use approach' that requires the current risks to be assessed and remediated as required, for a site's existing use. The primary regulatory role for this rests with the local authorities. Local authorities and SEPA must establish public registers to record all prescribed regulatory action taken under Part IIA. The register will contain particulars relating to the remediation, as well as notifications of the identification of contaminated land. The registers will expand as new information is identified.

Section 78A(2) of the Act (as amended) provides a specific definition of 'contaminated land' for the purpose of the Act. Land that is not 'contaminated land' as defined under the Act may still contain harmful or dangerous substances and the following guidance should be useful to the local authority in carrying out its other functions.

Pan 33 - land confirmed, or suspected of being contaminated is a material consideration when local authorities determine planning applications. The key role of the planning system is to ensure that all the ground included within the planning application is suitable for the proposed future use. Conditions may be added to any permission given to ensure the required remediation takes place. Planning Advice Note (PAN) 33 'Development of Contaminated Land' explains further the role of planning and includes useful cross-references to other relevant publications and regimes.

Harmful or dangerous substances include deposits of faecal or animal matter and any substance, or mixture of substances, which is, or could become, corrosive, explosive, flammable, radioactive or toxic or which produces, or could produce, any gas likely to have any such characteristic.

Conversions - in the case of conversions, as specified in regulation 4, the building as converted shall meet the requirements of this standard in so far as is reasonably

practicable, and in no case be worse than before the conversion (regulation 12, schedule 6).

3.1.1 Preparation of a site

Surface soil and vegetable matter can be detrimental to a buildings structure if left undisturbed within the building footprint. Therefore, before any work can commence, unsuitable material including turf, vegetable matter, wood, roots and topsoil should be removed from the ground to be covered by the building, and the ground immediately adjoining the building, to a depth of at least that which will prevent later growth that could damage the building. The term 'ground immediately adjoining' is intended to cover ground that is disturbed as a direct result of the works.

The solum (prepared area within the containing walls of a building) should be treated to prevent vegetable growth and reduce the evaporation of moisture from the ground to the inner surface of any part of a dwelling that it could damage.

The solum should be brought to an even surface and any upfilling should be of hard, inert material. See guidance to Standard 3.4 relating to building elements adjacent to the ground.

To prevent water collecting under the building, the solum should be not lower than the highest level of the adjoining ground. However where this may not be possible, such as on sloping ground, the solum should be laid to fall to an outlet in the underbuilding above the lowest level of the adjoining ground to prevent any water build up below the building. Any part of the underbuilding that is in contact with the ground, such as on sloping ground, should be tanked see clause 3.4.7.

Where the site contains fill or made ground, consideration should be given to its compressibility and its collapse potential. Thought should be given to foundation design to prevent the damaging effect of differential settlement.

3.1.2 Harmful or dangerous substances

For the purposes of this Technical Handbook, clause 3.1.0 provides guidance on what harmful or dangerous substances may consist of. Because of their hazardous qualities, any ground below and immediately adjoining (see clause 3.1.1) a building should have them removed or made safe. Guidance on remedial action to deal with such substances is given in clause 3.1.5.

3.1.3 Hazard identification and assessment

A preliminary desk-top study should be carried out to provide information on the past and present uses of the proposed building site and surrounding area that may give rise to contamination. Examples of land likely to contain contaminants can include, but are not limited to:

- asbestos works
- chemical works
- gas works, coal carbonisation plants and ancillary by-products works
- industries making or using wood preservatives
- landfill and other waste disposal sites
- metal mines, smelters, foundries, steel works and metal finishing works
- munitions production and testing sites

- nuclear installations
- oil storage and distribution sites
- paper and printing works
- railway land, especially the larger sidings and depots
- scrap yards
- sewage works, sewage farms and sludge disposal sites
- tanneries, and
- petrol filling stations.

During a walk-over of the area there may be signs of possible contaminants. The preliminary investigation can assist in the design of the exploratory and detailed ground investigation. A detailed ground investigation may be necessary and should provide sufficient information for the risk assessment and the design and specification of any remedial work.

Risk assessment should be specific to each building site and take into account the presence of source, pathways and receptors at a particular building site. Generic assessment criteria may provide an indication of where further consideration of risk to receptors is required. The selection of assessment criteria should take into account the specific circumstances of the building site and the receptors that may be exposed. Assessment criteria should be authoritative and scientifically based. Should a risk be indicated then further consideration would be warranted. This may involve collection and assessment of further information. Useful tools for undertaking detailed assessment of risk are available e.g. CONSIM and CLEA. Reference should be made to SEPA <http://www.sepa.org.uk> and DEFRA <http://www.defra.gov.uk> web sites which contain details of published and forthcoming guidance.

The Environment Agency manages an extensive research programme related to land contamination <http://www.environment-agency.gov.uk/>. This programme is ongoing and a check should be made to ensure that the most up-to-date guidance is used. The following are just some of the publications that may be of interest:

- assessment of risks to human health from land contamination, an overview of the development of soil guideline values: CLR 7
- priority contaminants report: CLR 8
- contaminants in soils, collation of toxicological data and intake values for humans: CLR 9
- contaminated land exposure assessment (CLEA) model, technical basis and algorithms: CLR 10
- land contamination risk assessment tools: an evaluation of some of the commonly used methods: Technical Report P260
- secondary model procedure for the development of appropriate soil sampling strategies for land contamination: R&D Technical Report P5
- technical aspects of site investigation: R&D Technical report P5.

3.1.4 Development on land that may be contaminated

Where the desk study, records or local knowledge of previous use identifies, land that may contain, or give rise to, harmful or dangerous substances, planning permission will

normally be subject to conditions. These conditions may be imposed to ensure that the development proposed for the land will not expose future users or occupiers, or any building or services, to hazards associated with the contaminants.

3.1.5 Land not initially identified as being contaminated

There may be occasions when land containing harmful or dangerous substances has not been identified at the planning stage, and the presence of contaminants is only suspected later. Some signs of the possible presence of contaminants are given in the table below together with the possible contaminant and the probable remedial action recommended.

Table 3.1 Possible contaminants and actions

Signs of possible contaminants	Possible contaminant	Possible remedial action recommended
Vegetation (absence, poor or unnatural growth)	metals, metal components	none
	organic compounds, gases	removal or treatment
Surface materials (unusual colours and contours may indicate)	metals, metal compounds	none
	oil and tarry wastes	removal, filling, sealing or treatment
	asbestos (loose)	removal, filling, sealing or treatment
	other fibres	none
	organic compounds including phenols	removal, filling or treatment
	potentially combustible material including coal and coke dust	removal, inert filling or treatment
	refuse and waste	removal or treatment
Fumes and odour (may indicate organic chemicals at very low concentrations)	flammable, explosive, toxic and asphyxiating gases including methane and carbon dioxide	removal or treatment; the construction is to be free from unventilated voids
	corrosive liquids	removal, filling, sealing or treatment
	faecal, animal and vegetable matter (biologically active)	removal, filling or treatment
Drums and containers (whether full or empty)	various	removal with all contaminated ground

The verifier may require the removal or treatment of any of the contaminants in the table to clause 3.1.5, to be carried out by specialists.

If any signs of possible contaminants are present, the verifier should be told at once. If the presence of any of the contaminants listed in the table to clause 3.1.5 is confirmed, it is likely that some form of remedial action will be required. For guidance, the normal course of remedial action is listed against each contaminant. In all cases these courses of action assume that the ground to be covered by the building will have at least 100mm of in-situ concrete cover. Expert advice may be required to provide an economical and safe solution to the hazards encountered especially where contaminants are present in large amounts or where there is imminent danger to health or safety.

3.1.6 Risk management techniques

The Construction Industry Research and Information Association (CIRIA) produces many useful guidance documents on the application of different risk management techniques.

There are a range of options for managing the risk of contamination. This can include removal or treatment of the contaminant source or breaking the pathway by which contaminants can present a risk to receptors:

Removal - means that the contaminant itself and any contaminated ground to be covered by the building should be taken out to a depth of 1m (or less if the verifier agrees) below the level of the lowest floor. The contaminant should then be taken away to a place to be named by the local authority

Filling - means that the ground to be covered by the building should be determined on a site specific basis but is normally to a depth of 1m (or less if the verifier agrees) with a material which will not react adversely with any contaminant remaining and may be used for making up levels. The type of filling and the design of the ground floor should be considered together

Inert filling - means that the filling is wholly non-combustible and not easily changed by chemical reactions

Sealing - means that a impermeate barrier is laid between the contaminant and the building and sealed at the joints, around the edges and at the service entries. Note that polyethylene may not be suitable if the contaminant is a liquid such as a tarry waste or organic solvent

Ground treatment - may provide a more cost effective and environmentally sustainable solution. Treatment may be the only option where the presence of structures or services prevents excavation. Treatment processes can be biological, chemical or physical and be undertaken either in-situ (contaminants are treated in the ground) or ex-situ (contaminated material is excavated and then treated before being returned). The processes convert the contaminant into a neutral form or render it harmless. There are also solidification and stabilisation processes that can 'fix' contaminants in the soil so as to reduce the harm, and thermal processes that alter the contaminant by incineration or by volatilisation. The exact process to use will depend on the contaminant present and the soil type. Expert advice should be sought.

CIRIA and the EA websites <http://www.ciria.org/> also contain useful data sheets on remedial treatment options.

3.1.7 Housing on land affected by contamination

The National House Building Council (NHBC) <http://www.nhbc.co.uk/>, together with the Environment Agency, has produced a guidance document 'Guidance for the Safe Development of Housing on Land Affected by Contamination'. The document aims to promote the adoption of good practice in the identification, investigation, assessment and remedial treatment of land affected by contamination, so that the development of housing on such land can be undertaken safely and with confidence that no unacceptable risks remain.

3.1.8 Re-development of industrial land

With the increasing re-development of former industrial land, attention is also drawn to BS 10175: 2001, 'Investigation of potentially contaminated sites, Code of Practice'. The British Standard provides guidance on, and recommendations for, the investigation of land that may be contaminated or land with naturally enhanced concentrations of potentially

harmful materials, to determine or manage the ensuing risk. BS 5930: 1999, 'Code of Practice for Site Investigations' is also relevant. This CoP deals with the investigation of ground for the purpose of assessing their suitability for the construction of the work. It provides recommendations on certain constraints or problems that can affect a site, such as geotechnical aspects and the legal aspects including the need for licenses or permits.

3.1.9 Risks to construction materials and services

Buildings, and the materials they are constructed from, are classed as receptors and therefore may be subject to damage if they come into contact with contaminated land. A principal concern is that any attack or damage from ground contaminants may affect the structural integrity or serviceability of the building and present a health and safety threat.

Both natural and human generated ground conditions can be aggressive to structures and services, in view of this the construction design should take account of any ground contaminants that could affect or damage buildings, materials and services. In practice it may be more difficult to assess and manage contamination risks when dealing with new work to existing buildings.

Site analysis and hazard identification are necessary to allow assessment of any contamination risks posed to the construction. The susceptibility of construction to aggressive contaminant attack generally depends on four conditions:

- presence of water
- contaminant concentrations
- contact between materials and contaminants, and
- material sensitivity.

The BRE publication BR 255:1994 'Performance of Building Materials in Contaminated Land' provides detailed guidance on the vulnerability of building materials to the hazards arising from contamination.

The following table identifies some common aggressive substances, their possible effects on building materials and possible mitigation options.

Table 3.2 Substance Affecting Materials

Materials	Substance	Possible effect	Mitigation options
concrete, mortar, masonry	sulphates (acid & water soluble in soil) pyrites heavy metals	expansion, disintegration deterioration	<ul style="list-style-type: none"> • specify resistant materials • provide protective coatings, isolation or sacrificial layers excavate and remove affected material • excavate and remove affected material • contain contamination
	chloride (acid & water soluble in soil)	reduced strength increased permeability reinforcement corrosion	
	inorganic and organic acids (depending on type and concentration)	expansion degradation and corrosion of reinforcement	
	magnesium salts	disintegration	
	ammonium salts	increased porosity	
structural steel, metal pipes and services	sulphate, sulphur and sulphide	corrosion	

Materials	Substance	Possible effect	Mitigation options
	inorganic and organic acids	corrosion	<ul style="list-style-type: none"> design and construct site drainage to reduce or eliminate contact between contaminants and building structure or services
plastics, rubbers	alkalis, ammonia, chlorine, hydrocarbons, oils	swelling deterioration	
polythenes	benzene, toluene, phenol	permeation	

Additional information:

1. The potential for chemical attack often depends on the presence of water as a substance carrier.
2. Concrete, being an alkaline material is potentially vulnerable to attack from acids.

3.2 Site preparation – protection from radon gas

Mandatory Standard

Standard 3.2

Every building must be designed and constructed in such a way that there will not be a threat to the health of people in or around the building due to the emission and containment of radon gas.

3.2.0 Introduction

Radon is a naturally occurring, radioactive, colourless and odourless gas that is formed where uranium and radium are present. It can move through cracks and fissures in the subsoil, and so into buildings. The amount, or activity, of radon is measured in becquerels (Bq). Where this gas occurs under a dwelling, the external walls contain it and the containment of radon can build up inside the dwelling over the long term posing a risk to health.

Breathing in radon gas for long periods increases the risk of developing lung cancer and since people spend a high proportion of their time at home, concentration levels in dwellings are very important. Although the risk is relatively insignificant for people visiting or living for short periods in a dwelling with high levels of radon, long-term exposure can increase the risk to the point where preventative action is necessary. To reduce the risk, all new dwellings, extensions and alterations, built in areas where there might be radon concentration, may need to incorporate protective measures.

Public Health England (PHE), formally the Health Protection Agency, is the primary resource for advice about radon in the UK, and recommends that radon levels in homes should be reduced if the average is more than 200 becquerels per cubic metre (Bq/m³). Further information relating to radon levels, testing, sources and effects can be accessed on the PHE's "UKradon" website at <http://www.ukradon.org/>.

Conversions - in the case of conversions, as specified in regulation 4, the building as converted shall meet the requirements of this standard in so far as is reasonably

practicable, and in no case be worse than before the conversion. (regulation 12, schedule 6).

3.2.1 Radon probability areas

“Radon probability areas” have been designated by testing dwellings. Where tests on existing dwellings show that 1% of the dwellings in that area are likely to have a radon concentration above 200 Bq/m³ (the action level) the area is designated as a ‘radon probability area’.

Radon maps - The Health Protection Agency (HPA) (now Public Health England (PHE)) and the British Geological Society jointly worked on detailing mapping in Scotland of radon potential. The report providing an overview of this work, titled "Indicative Atlas of Radon in Scotland", was published in July 2011 and is available to view or download from PHE's "UKradon" website <http://www.ukradon.org/>. The resulting high definition digital map indicates areas in Scotland with elevated radon potential. The map provides an indicative picture of areas of the country where radon levels are likely to be higher.

Radon risk report - the atlas presented in the report contains simplified maps that are indicative rather than definitive with each 1km grid square coloured according to the highest radon potential found within it. A risk report giving the estimated radon potential for an individual dwelling or site can be obtained through the "UKradon" website <http://www.ukradon.org/>.

3.2.2 Protection from radon gas

If a dwelling is to be located or extended on ground designated as a ‘radon probability area’, or on ground where radon is known to exist, protective work should be undertaken to prevent excessive radon gas from entering the dwelling.

Radon protective measures should be provided in accordance with the guidance contained in BRE publication BR 211 – ‘Radon: guidance on protective measures for new buildings’.

Additional guidance on the installation of radon protection measures in dwellings is available in two BRE Good Building Guides; GG 73 "Radon protection for new domestic extensions and conservatories with solid concrete ground floors" and GG 74 "Radon protection for dwellings". Both of these publications should be read in conjunction with BR 211.

3.3 Flooding and groundwater

Mandatory Standard

Standard 3.3

Every building must be designed and constructed in such a way that there will not be a threat to the building or the health of the occupants as a result of flooding and the accumulation of groundwater.

3.3.0 Introduction

Flooding can be diverse, often site specific and brought about by a range of factors including heavy rain, raised groundwater levels, increased rain water run-off and blocked or surcharged drainage systems. It is also generally recognised that climate change may

play a major role in increasing the risk of flooding in the future, for example, local pluvial (rainfall) flooding from more frequent short intense rain storms.

The effects of flooding on a building can include significant damage to materials, services and structure. Contamination could result where waste water drainage is present in the floodwater. Where there is a risk that flooding can affect a building it is important that any proposed construction is designed to be more resistant or resilient.

Pressure for land development may mean that development may be given planning approval on land subject to some risk of flooding. Where development is to take place on land assessed by the planning authority as having a flood risk, advice should be sought from sources such as the local planning authority, the Scottish Environment Protection Agency (SEPA) and those responsible for coastal defences. Further guidance may be obtained from the 'Scottish Planning Policy SPP.

The Scottish Environment Protection Agency (SEPA) provides flood risk information on their indicative river and coastal interactive flood maps on their website. <http://www.sepa.org.uk/>.

When near surface level groundwater is present on a building site there is the potential for construction activity to affect it or for the groundwater to pose a hazard to any new buildings. To reduce the risk to buildings from groundwater, subsoil drainage of a site may be necessary to protect against penetration of groundwater through a building and damage to the building fabric. Any existing drains that will be affected by the construction of a building should also continue to function properly and guidance is provided under Standard 3.5.

Conversions - in the case of conversions, as specified in regulation 4, the building as converted shall meet the requirements of this standard in so far as is reasonably practicable, and in no case be worse than before the conversion (regulation 12, schedule 6).

3.3.1 Groundwater

New building sites should be initially assessed to establish the existing groundwater level and any fluctuation to the established level brought about by seasonal effect, new construction, excavations or other related activities.

Ground below and immediately adjoining a dwelling that is liable to accumulate groundwater, at a level that could affect the structure or penetrate the building, requires subsoil drainage or other dewatering treatment to be provided to mitigate against the harmful effects of such water.

The drainage of groundwater may also be necessary for the following reasons:

- to increase the stability of the ground
- to avoid surface flooding
- to alleviate subsoil water pressures likely to cause dampness to below-ground accommodation
- to assist in preventing damage to foundations of buildings
- to prevent frost heave of subsoil that could cause fractures to structures such as concrete slabs.

The selection of an appropriate drainage layout will depend on the nature of the subsoil and the topography of the ground. Field drains, where provided, should be laid in accordance with the recommendations in clause 10 of BS 8301: 1985.

Surface water run-off to adjacent sites - with the removal of topsoil from a development site, developers should be aware of the dangers from possible surface water run-off from their building site to other properties. It is good practice to have procedures in place to overcome this occurrence. Depending on conditions, the formation of channels or small dams to divert the run-off or, where conditions are particularly serious, the installation of field drains or rubble drains may overcome the problem.

3.3.2 Flood risk assessment

Any identified site specific risk of flooding to a building or its occupants should be assessed to allow sustainable design mitigation. Building site flood risk assessments should be an integral part of the design and construction process with the appraisal also considering the effects that the development may have on adjoining ground.

'Planning and Building Standards Advice on Flooding' (PAN 69) sets out flood risk and probability assessment procedures including the need for drainage assessments to demonstrate a neutral or better effect on sites where flooding is an issue. For site specific flood risk assessments the CIRIA document 'Development and Flood Risk – guidance for the construction industry' (C624) 2004 provides detailed guidance on carrying out flood risk assessment and suggests design considerations for developers.

3.3.3 Resilient construction in flood risk areas

Where it is intended to develop in areas that may be at some identified risk of flooding, buildings should be designed and constructed to offer a level of flood resistance and resilience that can reduce the flood impact on structure and materials.

The May 2007 CIRIA document 'Improving the Flood Performance of New Buildings – Flood Resilient Construction' is a national document that provides design guidance on suitable materials and construction details for use in low or residual flood risk developments.

'The Design Guidance on Flood Damage to Dwellings, 1996'. This document describes the likely effects of flooding on materials and elements of the building and assesses various forms of construction and measures to reduce the risk of flood damage in dwellings.

3.4 Moisture from the ground

Mandatory Standard

Standard 3.4

Every building must be designed and constructed in such a way that there will not be a threat to the building or the health of the occupants as a result of moisture penetration from the ground.

3.4.0 Introduction

Water is the prime cause of deterioration in building materials and constructions and the presence of moisture encourages growth of mould that is injurious to health. Ground water can penetrate building fabric from below, rising vertically by capillary action. The effects of this rising damp are immediately recognisable. There may be horizontal 'tidemarks'

sometimes several feet above the floor; below it the wall is discoloured with general darkening and patchiness. There may also be loose wallpaper, signs of mould growth and deterioration of plaster. Hygroscopic salts brought up from the ground tend to concentrate in the 'tidemark'.

Dwellings therefore need to be constructed in such a way that rising damp neither damages the building fabric nor penetrates to the interior where it may constitute a health risk to occupants.

Designers should be aware of the impact that climate change could have on the fabric of buildings through increased rainfall and temperatures. Higher wind speeds and driving rain should focus attention to improved design and quality of construction and to the protection of the building fabric from long term dampness.

Conversions - in the case of conversions, as specified in regulation 4, the building as converted shall meet the requirements of this standard in so far as is reasonably practicable, and in no case be worse than before the conversion (regulation 12, schedule 6).

3.4.1 Treatment of building elements adjacent to the ground

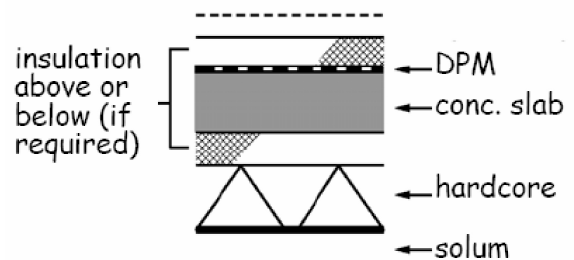
A floor, wall or other building element adjoining the ground should prevent moisture from the ground reaching the inner surface of any part of a dwelling that it could damage.

Floors, walls or other building elements adjoining the ground should be constructed in accordance with the following recommendations. The dimensions specified are the minimum recommended; greater dimensions may therefore be used.

3.4.2 Ground supported concrete floors

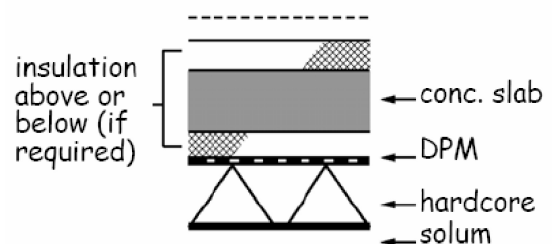
The solum is brought to a level surface. Hardcore bed 100mm thick of clean broken brick or similar inert material free from fine material and water soluble sulphates in quantities which would damage the concrete; blinded with suitable fine material and constructed to form a level, crack-free surface.

Figure 3.1 Ground supported concrete floors 1



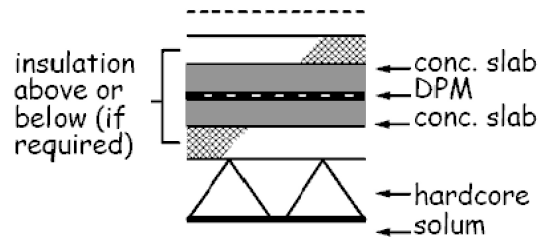
Concrete slab 100mm thick with insulation, if any, laid above or below the slab; with or without a screed or floor finish.

Figure 3.2 Ground supported concrete floors 2



Damp-proof membrane above or below the slab or as a sandwich; jointed and sealed to the damp proof course or damp-proof structure in walls, columns and other adjacent elements in accordance with the relevant clauses in section 3 of CP 102: 1973.

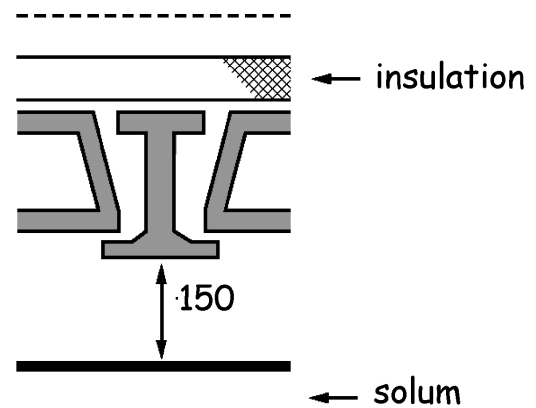
Figure 3.3 Ground supported concrete floors 3



3.4.3 Suspended concrete floors

The solum is brought to an even surface; any up filling to be of hard, inert material. Suspended concrete floor of in-situ or precast concrete slabs or beams with concrete or clay infill units; with insulation, if any; with or without a screed or floor finish, or with boards. Permanent ventilator of the under floor space direct to the outside air by ventilators in 2 external walls on opposite sides of the building to provide an open area in each wall of 1500mm^2 for at least every metre run of the wall, or 500mm^2 for at least every square metre of floor area, this open area also being provided in internal sleeper walls or similar obstructions to maintain the under floor ventilation; the ventilated space to be 150mm to the underside of the floor slab or beams.

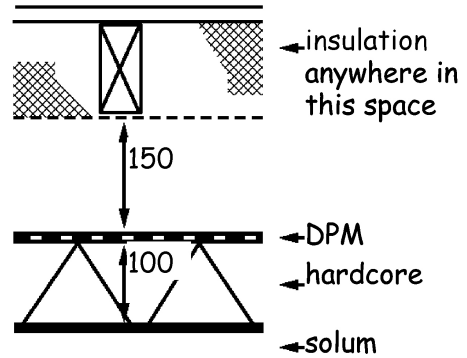
Figure 3.4 Suspended concrete floors



3.4.4 Suspended timber floors

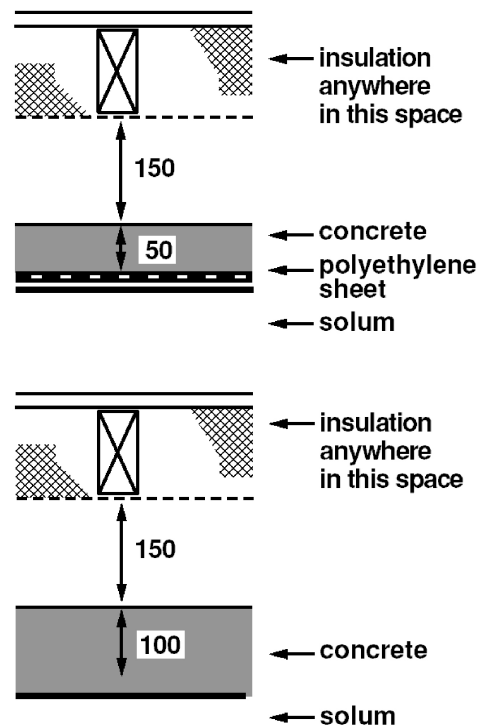
The solum is brought to an even surface; any up filling to be of hard, inert material. Hardcore bed as for clause 3.4.2; with either a dpm in accordance with section 3 of CP 102: 1973; or concrete 50mm thick laid on 0.25mm (1000 gauge) polyethylene sheet; or concrete 100mm thick; so that in any case the top surface is not below that of the adjacent ground.

Figure 3.5 Suspended timber floors 1



Suspended timber floor with or without insulation as required. Floor joists carried on wall-plates supported as necessary by sleeper walls with a dpc under the wall-plates. Permanent ventilator of the under floor space direct to the outside air by ventilators in 2 external walls on opposite sides of the building to provide an open area in each wall of either 1500mm² for at least every metre run of the wall, or 500mm² for at least every square metre of floor area, this open area also being provided in internal sleeper walls or similar obstructions to maintain the under floor ventilation; the ventilated space to be 75mm in height from the site covering to the underside of any wall-plates and 150mm to the underside of the floor joists.

Figure 3.6 Suspended timber floors 2



3.4.5 Walls at or near ground level

Walls at or near ground level should be constructed in accordance with the recommendations of BS 8102: 1990.

3.4.6 Floors at or near ground level

Floors at or near ground level should be constructed in accordance with the recommendations in Clause 11 of CP 102: 1973. However the ventilation of the sub-floor as described in Clause 11.8.4 of CP 102: 1973 is not recommended but should be provided as described in clause 3.4.4 for suspended timber floors.

3.4.7 Structures below ground, including basements

Structures below ground, including basements, should be constructed in accordance with the recommendation of BS 8102:1990.

3.5 Existing drains

Mandatory Standard

Standard 3.5

Every building must not be constructed over an existing drain (including a field drain) that is to remain active.

Limitation:

This standard does not apply where it is not reasonably practicable to re-route an existing drain.

3.5.0 Introduction

The purpose of this standard is to ensure that existing drains continue to function properly without causing harm to the building or to the health of the occupants.

Generally, public sewers are not permitted beneath buildings. Where it is proposed to construct a building over the line of an existing sewer, the sewer should be re-routed around the building. Permission will be required from the Water Authority for any work that is to be carried out to a public sewer.

In exceptional circumstances, if it is not possible to re-route an existing sewer away from the dwelling, for instance if a gap building site in a terrace is being developed, the Water Authority may permit a building to be constructed over an existing public sewer. Where it is necessary to build over a public sewer, approval of the Water Authority will be required.

Disused drains and sewers offer ideal harbourage to rats and frequently offer a route for them to move between the drains and the surface. They can also collapse causing subsidence.

Conversions - in the case of conversions, as specified in regulation 4, the building as converted shall meet the requirement of this standard (regulation 12, schedule 6).

3.5.1 Existing drains

A survey should be carried out to establish the geography and topography of the building site and ascertain whether there are any existing field drains. Where a building site

requires that an existing drain (including a field drain) must remain active and be re-routed or retained, particular methods of construction and protection should be carefully considered. The guidance contained in clauses 3.5.2, 3.5.3 and 3.5.4 should be taken into account and any new drain should be constructed in accordance with the guidance to Standards 3.6 and/or 3.7.

3.5.2 Re-routing of drains

Where a building is erected over a private drain, including a field drain that is to remain active, the drain should be re-routed if reasonably practicable or re-constructed in a manner appropriate to the conditions of the site.

3.5.3 Re-construction of drains

The condition of any private drain or sewer that is to be built over should be determined. If in poor condition and/or relatively shallow then consideration should be given to re-construction if re-routing is not reasonably practicable.

The strength of a pipeline should be determined, decided or specified before construction work is undertaken. Drains should be designed and constructed in accordance with the recommendations in BS EN 752-3: 1997 and BS EN 1295-1: 1998. During construction, it should be ensured that the assumptions made in the design are safeguarded or adapted to changed conditions.

Protection of drains - every drain or sewer should be protected from damage by construction traffic and heavy machinery. Providing barriers to keep such traffic away from the line of the drain or sewer may be appropriate. Heavy materials should not be stored over drains or sewers.

It is recommended that manholes are not located within a dwelling.

3.5.4 Drains passing through structures

Where a drain or sewer passes through a structure, including a manhole or inspection chamber, a detail should be devised to allow sufficient flexibility to avoid damage of the pipe due to movement. A rigid connection however may be appropriate if the drain or sewer and the structure are an integral construction on a rigid foundation. Where drains pass under or close to structures, similar precautions should be considered. Drains or sewers should be constructed and laid in accordance with the recommendations of BS EN 1610: 1998.

3.5.5 Sealing disused drains

Sewers or drains provide ideal nesting places for rats. In order to prevent this, they should be disconnected from the drainage system as near as possible to the point of connection. This should be done in a manner that does not damage any pipe that is still in use and ensures that the sewer system is watertight. This may be carried out, for example, by removing the pipe from a junction and placing a stopper in the branch of the junction fitting. Where the connection is to a public sewer, the Water Authority should be consulted.

Sewers and drains less than 1.5m from the surface and in open ground should be, as far as reasonably practicable, removed. Other pipes should be capped at both ends and at any point of connection, to ensure rats cannot gain entry.

3.6 Surface water drainage

Mandatory Standard

Standard 3.6

Every building, and hard surface within the curtilage of a building, must be designed and constructed with a surface water drainage system that will:

- a. ensure the disposal of surface water without threatening the building and the health and safety of the people in or around the building, and
- b. have facilities for the separation and removal of silt, grit and pollutants.

3.6.0 Introduction

Climate change is expected to result in more rain in the future and it is essential that this is taken into account in buildings. It is essential that the surface water from buildings is removed safely without damage to the building, danger to people around the building and does not pose a risk to the environment by flooding or pollution.

Development of building sites generally leads to increased impermeable areas that can significantly increase the amount of surface water run-off to be dealt with. The approach to the disposal of surface water from buildings and hard surfaces clearly needs to be considered at the earliest stage in the design and development process (see also the Scottish Executive Development Department's Planning Advice Note No. PAN 61 - Planning and Sustainable Urban Drainage Systems).

For safety reasons it is essential that surface water is not permitted to collect or remain on all access routes to buildings, particularly with elderly and disabled people in mind. Ponding in winter can cause slippery surfaces that can be a hazard to pedestrians.

Controlled activities - the discharge of surface water is a controlled activity under The Water Environment (Controlled Activities) (Scotland) Regulations 2005. Under these regulations surface water discharges to ground or water (wetlands, surface waters or groundwater) must be by means of a sustainable urban drainage system authorised by The Scottish Environment Protection Agency (SEPA). Surface water discharge from a single dwelling or its curtilage is permitted to be by other means.

In some localities there is growing pressure on water resources due to changes in the climate and increasing expectations of personal hygiene. The introduction of conservation measures, such as the collection of surface water for its reuse is strongly encouraged to reduce the reliance on mains water.

Explanation of terms: Paved surface – means any constructed hard surface more than 50m².

Conversions - in the case of conversions, as specified in regulation 4, the buildings as converted shall meet the requirements of this standard (regulation 12, schedule 6).

3.6.1 Surface water drainage from dwellings

Every building should be provided with a drainage system to remove rainwater from the roof, or other areas where rainwater might accumulate, without causing damage to the structure or endangering the health and safety of people in and around the building.

Where gutters and rainwater pipes are used, they should be constructed and installed in accordance with the recommendations described in BS EN 12056-3: 2000.

Eaves drop systems - methods other than gutters and rainwater pipes may be utilised to remove rainwater from roofs. An eaves drop system will allow rainwater to drop freely to the ground. Where these are used, they should be designed taking into account the following:

- the existing groundwater level and ground infiltration capacity
- the protection of the fabric of the dwelling from ingress of water caused by water splashing on the wall
- the need to prevent water from entering doorways and windows
- the need to protect persons from falling water when around the dwelling
- the need to protect persons and the building fabric from rainwater splashing on the ground or forming ice on access routes. The provision of a gravel layer or angled concrete apron or such like may be acceptable
- the protection of the building foundations from concentrated discharges from gutters.

Gutters and rainwater pipes may be omitted from a roof at any height provided it has an area of not more than 8m² and no other area drains onto it.

3.6.2 Surface water drainage of paved surfaces

Every domestic building should be provided with a drainage system to remove surface water from paved surfaces, such as an access route that is suitable for disabled people, without endangering the building or the health and safety of people in and around the building. The paved surface should be so laid as to ensure rainwater run-off is not close to the building. Paved surface drainage systems should be designed, constructed and installed, either:

- a. incorporating SUD system techniques as in clause 3.6.4, or
- b. using a traditional piped drainage system as in clause 3.6.8.

3.6.3 Surface water discharge

Surface water discharged from a domestic building and a hard surface within the curtilage of a domestic building should be carried to a point of disposal that will not endanger the building, environment or the health and safety of people around the building.

Surface water discharge should be to:

- a. a storage container with an overflow discharging to any of the 4 following options, or
- b. a SUD system designed and constructed in accordance with clause 3.6.4, or
- c. a soakaway constructed in accordance with:
 - clause 3.6.5, or
 - the guidance in BRE Digest 365, 'Soakaway Design', or
 - National Annex NA 4 of BS EN 752: 2008, or
- d. a public sewer provided under the Sewerage (Scotland) Act 1968, or
- e. an outfall to a watercourse, such as a river, stream or loch or coastal waters, that complies with any notice and/or consent by SEPA.

Discharge from a soakaway should not endanger the stability of the building. Damage to the foundations is likely to occur where discharge is too close to the building and it is sensible to ensure that any water bearing strata directs water away from the building.

Location of soakaway - to prevent such damage therefore, every part of a soakaway should be located at least 5m from a building and from a boundary in order that an adjoining plot is not inhibited from its full development potential. However the volume of surface water run-off, ground strata or permeability of the soil may influence this dimension and it may be reduced, or indeed may need to be increased, to preserve the structural integrity of the building.

3.6.4 Sustainable Urban Drainage Systems

Sustainable urban drainage (SUD) is a concept that focuses decisions about drainage on the environment and people. The concept takes account of the quantity and quality of surface water run-off and the amenity value of surface water in the urban environment.

The variety of design options available allows designers and planners to consider local land use, land take, future management and the needs of local people. SUD systems often stretch beyond the confines of the curtilage of individual buildings but need to be considered as a whole.

Fundamental to a successful SUD system is a management train that allows for a range of components to be incorporated for control or management of surface water, such as:

- **Source Control** – control of run-off at or very near its source by components including soakaways, other infiltration methods, green roofs or permeable surfaces.
- **Site Control** – management of surface water within a building site by components including large soakaways, infiltration systems or detention basins.
- **Regional Control** – management of surface water from building sites by components including balancing ponds and wetlands.

SUD systems range from the use of basic components such as permeable materials that allow surface water to infiltrate to ground in a way that can mimic natural drainage to more complex engineered components including filter strips, swales, or wet ponds that will convey or store surface water. The CIRIA document C753 'The SUDS Manual' 2015 <http://www.ciria.org> provides comprehensive advice on initial drainage design assessments and best practice guidance on the planning, design, construction, operation and maintenance of SUD systems.

Careful consideration should be given to the design of surface water drainage from brownfield land, particularly where contamination might be expected. SEPA provides guidance in their SUDS Advice Note – 'Brownfield Sites' <http://www.sepa.org.uk/>. Generally SUD systems are designed to utilise natural processes and regular monitoring and maintenance will be needed to ensure the system as conceived is operating as intended.

3.6.5 Soakaway single dwellings and extensions

Soakaways have been the traditional method of disposal of surface water from buildings and paved areas where no mains drainage exists. A soakaway serving a single dwelling or an extension should be designed and constructed in accordance with the following guidance:

- a. test the suitability of the ground in accordance with the percolation test method in clause 3.9.1. The trial holes and the finished soakaways should be a minimum of 5m from the dwelling and the boundary. However this dimension may be reduced slightly on small sites where ground conditions allow, such as very well draining soil

b. there should be individual soakaways for each dwelling.

The soakaways may be sized using the following simplified formulae derived from BRE Digest 365:

$$(A \times 0.0145) - (a \times f \times 900) = S$$

Where - A is the area to be drained in m².

- a - is the internal surface area of the soakaway to 50% effective depth, excluding the base in m². This has to be assumed for initial calculation purposes.
- f - is the soil infiltration rate, in m/s, determined in accordance with clause 3.9.1. This calculation produces Vp in secs/mm [conversion = (1/Vp) /1000].
- S - is the required storage in m³.

3.6.6 Surface water run-off from small paved areas

Free draining surface water run-off may be appropriate for small hard surface areas, such as access paths. Free draining run-off can be achieved by laying the surface to a fall, sufficient to avoid ponding, that allows the water to drain to a pervious area, such as grassland, provided the infiltration capacity of the ground is not overloaded. Also the discharge should not be adjacent to the building where it could damage the foundations.

3.6.7 Rainwater harvesting

Rainwater harvesting systems allow surface water run-off from dwellings or hardstanding areas to be collected, stored and distributed thereby reducing the demand for potable water, the load on drainage systems and surface water run-off that can lead to incidents of flooding. The re-use of surface water can produce benefits to the home owner and the environment and therefore is recommended.

Rain, as it falls on buildings, is soft, clear and largely free of contaminants. During collection and storage however there is potential for contamination. For this reason it is recommended that recycled surface water is used only for flushing water closets, car washing and garden taps as it is not possible to guarantee the necessary maintenance of complex filters that would be essential if it were used for consumption or personal hygiene.

Manufacturers of proprietary systems or guidance documents such as CIRIA C539 or 'Harvesting Rainwater for domestic use: an information guide' published by the Environment Agency <http://www.environment-agency.gov.uk/> provides helpful guidance on design considerations.

Where a rainwater harvesting system is to be installed it should be designed, constructed and installed in accordance with the Water Byelaws 2004, the recommendations of the Water Regulations Advisory Scheme (WRAS) Information and Guidance Notes No. 9-02-04 and 9-02-05, 1999 and the CIRIA publication CIRIA C539; 'Rainwater and greywater use in buildings', provide good practice installation, design and maintenance advice. The approval of Scottish Water is needed before any such scheme is installed.

Filtration - prior to the storage of water in a tank the rainwater should be filtered to remove leaves and other organic matter and dust or grit. Disinfection may be required if the catchment area is likely to be contaminated with animal faeces, extensive bird droppings, oils or soil.

Water storage tanks should be constructed of materials such as GRP, high-density polyethylene, steel or concrete and sealed and protected against the corrosive effects of the stored water and to prevent the ingress of ground water if located underground.

Water for use in the dwelling should be extracted from just below the water surface in the tank to provide optimum water quality. All pipework carrying rainwater for use in the dwelling should be identified as such in accordance with the WRAS guidance notes and great care should be taken to avoid cross-connecting reclaimed water and mains water. Tanks should be accessible to allow for internal cleaning and the maintenance of inlet valves, sensors, filters or submersible pumps. An overflow should discharge to a soakaway (see guidance to Standard 3.6) or to mains drainage where it is not reasonably practicable to discharge to a soakaway. Backflow prevention devices should be incorporated to prevent contaminated water from entering the system.

3.6.8 Traditional drainage systems

There can be substantial advantages from the use of SUD systems, but where a traditional piped system is required it should be designed and constructed in accordance with the guidance in National Annex of BS EN 752: 2008.

3.6.9 Discharges into a drainage system

Where a discharge into a traditional drainage system contains silt or grit, for example from a hard standing with car wash facilities, there should be facilities for the separation of such substances. Removable grit interceptors should be incorporated into the surface water gully pots to trap the silt or grit.

3.6.10 Testing

A surface water drainage system should be tested to ensure the system is laid and is functioning correctly. Testing should be carried out in accordance with the guidance in BS EN 1610: 1998.

3.7 Wastewater drainage

Mandatory Standard

Standard 3.7

Every wastewater drainage system serving a building must be designed and constructed in such a way as to ensure the removal of wastewater from the building without threatening the health and safety of people in or around the building, and:

- a. that facilities for the separation and removal of oil, fat, grease and volatile substances from the system are provided**
- b. that discharge is to a public sewer or public wastewater treatment plant, where it is reasonably practicable to do so, and**
- c. where discharge to a public sewer or public wastewater treatment plant is not reasonably practicable that discharge is to a private wastewater treatment plant or septic tank.**

Limitation:

Standard 3.7(a) does not apply to a dwelling.

3.7.0 Introduction

This guidance applies to wastewater systems that operate essentially under gravity. The guidance to this standard provides recommendations for the design, construction and installation of drains and sewers from a building to the point of connection to a public sewer or public sewage treatment works.

The guidance should also be used for all pipework connecting to a private wastewater treatment plant or septic tank.

Guidance on private wastewater treatment plants, septic tanks and infiltration fields is provided to Standards 3.8 and 3.9.

Combined sewers - some sewers, called combined sewers, carry wastewater and surface water in the same pipe. It may be appropriate to install a drainage system within the curtilage of a building as a separate system even when the final connection is to a combined sewer. This will facilitate the upgrading of the combined sewer at a later date.

Incorrect connections - the connection of wastewater drains to surface water drains is a common occurrence during conversions and extensions in urban areas served by separate drainage systems. Incorrect connections can cause chronic and severe pollution of watercourses and a careful check should be made before final connection is made to the appropriate drain.

Conversions - in the case of conversions, as specified in regulation 4, the building as converted shall meet the requirements of this standard (regulation 12, schedule 6).

3.7.1 Sanitary pipework

Differences in plumbing within Europe have led to a variety of systems being developed. These have happened as a result of differences in the type and use of sanitary appliances in Member States. The European Standards describe the 4 main systems in use but it is expected that traditional practices will continue in the various countries. However care will need to be taken if different systems are used to ensure that the entire system operates satisfactorily and that the system designed and installed is compatible with, and suitable for, connection to existing wastewater systems.

Sanitary pipework should be constructed and installed in accordance with the recommendations in BS EN 12056-2: 2000. The BS EN describes 4 different systems as follows:

- System III (single discharge stack system with full bore branch discharge pipes) as described in Clause 4.2 of BS EN 12056-2: 2000 is the traditional system in use in the UK.
- However low water and energy consumption is now a major consideration in any design solution. With this in mind, System II (single discharge stack system with small bore discharge branch pipes) may be appropriate. Careful consideration should be given to the design of the system where a low flush cistern is connected to an existing drain to ensure that blockages do not occur as a result of reduced flow rates.
- Systems I (single discharge stack system with partially filled branch discharge pipes) and IV (separate discharge stack system) have developed as a result of different types of sanitary appliances and technical traditions in the various European countries. These system types are unlikely to be appropriate for use in this country.

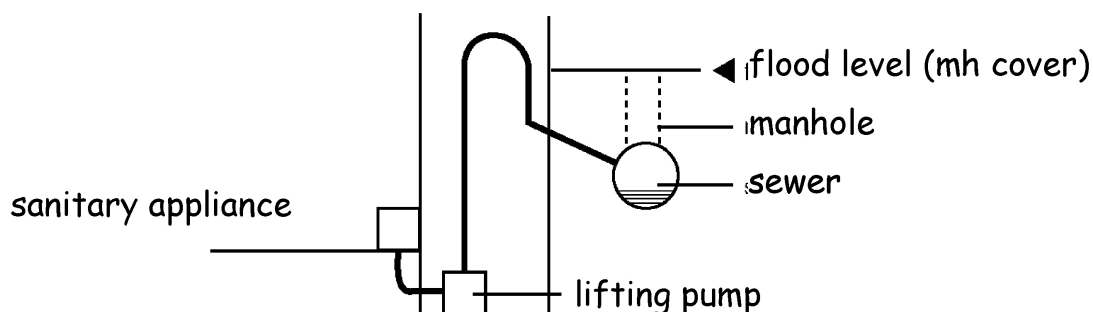
Reducing the bore of a pipe in the direction of flow may lead to blockages and should not be considered as an acceptable method of construction. However sanitary pipework may be reduced where it is connected to a pump installed in compliance with the conditions of certification by a notified body. These pumped systems are generally in use where the

appliances are located in basement levels below the flood level of the drain. (see clause 3.7.2).

3.7.2 Sanitary appliances below flood level

The basements of approximately 500 buildings in Scotland are flooded each year when the sewers surcharge (the effluent runs back up the pipes because they are too small to take the required flow). Wastewater from sanitary appliances and floor gullies below flood level should be drained by wastewater lifting plants or, where there is unlikely to be a risk to persons such as in a car park, via an anti-flooding device. Wastewater lifting plants should be constructed in accordance with BS EN 12056-4: 2000. Wastewater from sanitary appliances above flood level should not be drained through anti-flooding devices and only in special case, e.g. refurbishment, by a wastewater lifting plant.

Figure 3.7 Diagrammatic section through a pumped system in a basement



3.7.3 Drainage system outside a building

A drainage system outside a dwelling, should be constructed and installed in accordance with the recommendations in BS EN 12056-1: 2000, BS EN 752: 2008 and BS EN 1610: 1998.

Reducing the bore of a drain in the direction of flow may lead to blockages and is not recommended.

Health and safety legislation requires that manual entry to a drain or sewer system is only undertaken where no alternative exists. Therefore use of remotely operated equipment will become the normal method of access. As well as the traditional inspection chambers used for depths of up to 1m, remotely operated equipment is available for inspection, cleaning and removal of debris from deeper drains and sewers, without the need for personal entry.

3.7.4 Connection to a public sewer

Where a private drain discharges into a public sewer, normally at the curtilage of a building, some form of access should be provided for maintenance and to allow a satisfactory connection. The preferred method is by a disconnecting inspecting chamber for each house immediately inside the curtilage, although other methods and locations may be acceptable. Although access for maintenance purposes may be required by Scottish Water, design and construction of the chamber should be in accordance with the recommendations of BS EN 752: 2008. It is preferable that a chamber is provided for individual houses but where this is not practicable, a shared disconnecting chamber (or manhole where the depth is more than 1.2m) should be provided in accordance with the requirements of Scottish Water in whom it is likely to be vested.

The disconnecting chamber, or manhole, for a block of individually owned flats or maisonettes should be located as close to the building as is reasonably practicable as the drain will become a public sewer once it passes out with the footprint of the building.

3.7.5 Combined sewers

Some sewers, called combined sewers, carry wastewater and surface water in the same pipe. These systems are not recommended today as they are more likely to surcharge during heavy rains. A separate drainage system carrying wastewater and surface water therefore should be constructed within the curtilage of a building even if it connects to a combined sewer to facilitate the upgrading of the combined sewer at a later date.

3.7.6 Conversions and extensions

Incorrect drainage connections, mostly related to conversions and extensions, whether wastewater to surface water or vice versa, is a common occurrence and can cause severe pollution of watercourses or surcharging of drains also leading to pollution. A careful check should be made before breaking into an existing drain to ensure it is the correct one and a further test carried out after connection, such as a dye test, to confirm correct connection.

3.7.7 Sewers intended for vesting

Where it is intended that a private sewer (a sewer connecting 2 or more buildings that are privately owned and maintained) will be vested in the Water Authority, construction and installation should be in accordance with the requirements of 'Sewers for Scotland'.

3.7.8 Ventilation of a drainage system

A Wastewater drainage system serving a building should be ventilated to limit the pressure fluctuations within the system and minimise the possibility of foul air entering the building. A system should be installed in accordance with the guidance in Sections 4, 5, 6 and National Annex ND of BS EN 12056-2: 2000.

Air admittance valves are another method of ventilating a drainage system as they allow air to enter the drainage system, but not to escape, thus limiting pressure fluctuations within the system. Care should be taken when installing these valves that they are located where they will operate effectively. Air admittance valves should be installed:

- a. in accordance with the recommendations in BS EN 12380: 2002, or
- b. in compliance with the conditions of certification of a notified body.

3.7.9 Testing

A wastewater drainage system should be tested to ensure the system is laid and is functioning correctly. Testing should be carried out in accordance with the guidance in:

- a. National Annex NG of BS EN 12056-2: 2000, for sanitary pipework
- b. BS EN 1610: 1998, for a drainage system under and around a building.

3.7.10 Wastewater discharge

A wastewater drainage system should discharge to a public sewer or public wastewater treatment plant provided under the Sewerage (Scotland) Act 1968, where it is reasonably practicable to do so. Where it is not possible to discharge to a public system, for example in the countryside where there is no public sewer, other options are available, as described in the guidance to Standards 3.8 and 3.9: Private wastewater treatment systems.

3.8 Private wastewater treatment systems – treatment plants

Mandatory Standard

Standard 3.8

Every private wastewater treatment plant or septic tank serving a building must be designed and constructed in such a way that it will ensure the safe temporary storage and treatment of wastewater prior to discharge.

3.8.0 Introduction

A wastewater treatment system is an effective, economical way of treating wastewater from buildings. It consists of 2 main components, a watertight underground tank into which raw sewage is fed and a system designed to discharge the wastewater safely to the environment without pollution. This is normally an infiltration field through which wastewater is released to the ground, but when ground conditions are not suitable, a discharge to a watercourse or coastal waters may be permitted. The infiltration field provides secondary treatment and is often critical for protecting the environment from pollution. Not all treatment plants treat to the same standard, for example, biological treatment plants treat the wastewater to a much higher standard than septic tanks prior to release of the wastewater thus reducing pollution and permitting a smaller infiltration field. As there are many different types of treatment plants with varying degrees of efficiency, then the type chosen should be selected for the effluent standard required to protect the environment.

Although a septic tank is a basic form of treatment plant, it has been specifically mentioned in the guidance to clarify the recommendations.

Package treatment plant is the term applied to a range of systems engineered to treat a given hydraulic and organic load using prefabricated components that can be installed with minimal site work.

Guidance on the construction and installation of drains discharging into private wastewater treatment plants or septic tanks is covered by Standard 3.7.

Conversions - in the case of conversions, as specified in regulation 4, the building as converted shall meet the requirements of this standard (regulation 12, schedule 6).

3.8.1 Treatment plants

Where it is not reasonably practicable to connect to a public sewer or a public wastewater treatment plant then discharge should be to a private wastewater treatment plant or septic tank.

Treatment plants provide suitable conditions for the settlement, storage and partial decomposition of solids that need to be removed at regular intervals. The discharge can however still be harmful and will require great care when discharging to ground to ensure a suitable level of protection of the environment is achieved. A large number of small sewage treatment works in a limited area is undesirable. The guidance to Standard 3.9 deals with the infiltration system that should be constructed as an integral part of the treatment plant or septic tank.

When sizing and selecting the wastewater treatment plant the designer should take full account of all population loadings, effluent treatment standard, and also where appropriate, any unusual pollution loads such as waste disposal units.

Domestic use of detergents and disinfectants is not detrimental but excessive use may have a harmful effect on the performance of the sewage treatment works. The British Water Code of Practice, Flows and Loads – 2 <http://www.britishwater.co.uk/>, provides guidance on sizing criteria and treatment capacity for small (maximum 1000 population equivalent) wastewater treatment systems.

A private wastewater treatment plant and septic tank should be designed, constructed and installed in accordance with:

- a. the recommendations of BS EN 12566-1: 2000, for a prefabricated septic tank, or
- b. the recommendations of BS 6297: 1983, or
- c. the conditions of certification by a notified body.

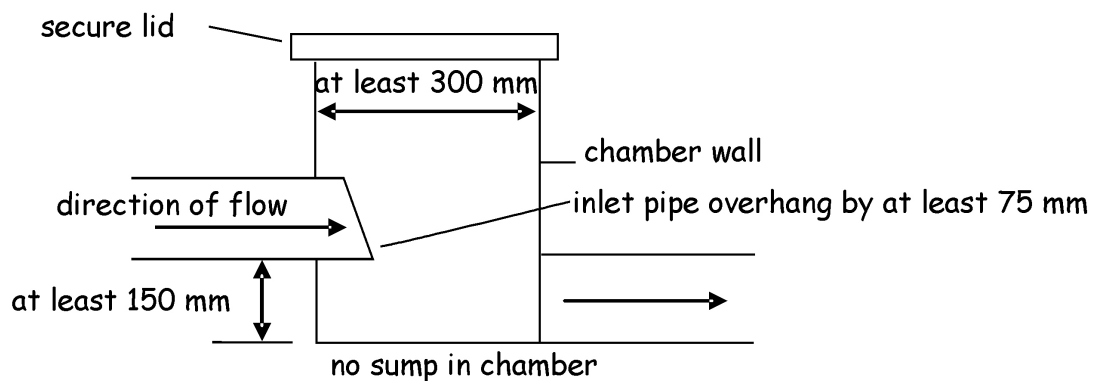
3.8.2 Treatment plant covers

The settlement tank of a private wastewater plant and a septic tank should have a securely sealed, solid cover that is capable of being opened by 1 person using standard operating keys.

3.8.3 Inspection and sampling

A private wastewater plant and septic tank should be provided with a chamber for the inspection and sampling of the wastewater discharged from the tank. The owner should carry out inspection at regular intervals and SEPA can sample the effluent to ensure compliance with any discharge consent. A chamber should be provided in accordance with the following diagram.

Figure 3.8 Section through inspection chamber



3.8.4 Location of a treatment plant

Research has shown that there are no health issues that dictate a safe location of a treatment plant or septic tank relative to a dwelling. However damage to the foundations of a dwelling has been shown to occur where leakage from the tank has occurred. In the unlikely event of there being leakage, it is sensible to ensure that any water bearing strata directs any liquid away from the dwelling. To prevent any such damage therefore, every part of a private wastewater plant and septic tank should be located at least 5m from a dwelling.

Every part of a private wastewater plant and septic tank should be located at least 5m from a boundary in order that an adjoining plot is not inhibited from its full development potential.

3.8.5 Discharges from septic tanks and treatment plants

Where mains drainage is not available, it may be possible to discharge treated wastewater to ground via an infiltration system, as described in clause 3.9.2, or to a water course, loch or coastal waters.

SEPA will require an authorisation, under the terms of the Water Environment (Controlled Activities)(Scotland) Regulations 2005 to be applied for all discharges of sewage effluent whether to ground via an infiltration system or to a watercourse.

3.8.6 Access for desludging

Wastewater treatment plants should be inspected monthly to check they are working correctly. The effluent in the outlet from the tank should be free flowing. The frequency of desludging will depend upon the capacity of the tank and the amount of waste draining to it from the dwelling but further advice on desludging frequencies should be obtained from the tank manufacturer or the desludging contractor.

A private wastewater treatment plant and septic tank should be provided with an access for desludging. The desludging tanker should be provided with access to a working area that:

- will provide a clear route for the suction hose from the tanker to the tank, and
- is not more than 25m from the tank where it is not more than 4m higher than the invert level of the tank, and
- is sufficient to support a vehicle axle load of 14 tonnes.

3.8.7 Labelling

Every dwelling with a drainage system discharging to a private wastewater treatment plant or septic tank should be provided with a label to alert the occupiers to such an arrangement. The label should describe the recommended maintenance necessary for the system and should include the following:

'The drainage system from this property discharges to a wastewater treatment plant (or septic tank, as appropriate). The owner is legally responsible for routine maintenance and to ensure that the system complies with any discharge consent issued by SEPA and that it does not present a health hazard or a nuisance'.

The label should be located adjacent to the gas or electricity consumer unit or the water stopcock.

3.9 Private wastewater treatment systems – infiltration systems

Mandatory Standard

Standard 3.9

Every private wastewater treatment system serving a building must be designed and constructed in such a way that the disposal of the wastewater to ground is safe and is not a threat to the health of the people in or around the building.

3.9.0 Introduction

The intention of this standard is to ensure that non-mains drainage systems are designed and constructed to a standard so that the discharges from them do not contribute to environmental pollution and will achieve statutory environmental standards. Subject to discharge authorisation from SEPA, (see clause 3.8.5) wastewater from treatment systems can either discharge to land via an infiltration system or to watercourses, lochs or coastal waters. The guidance to this standard deals with discharges to land via infiltration systems. The infiltration method will form a critical part of the treatment system and care must be taken in the type, design and location chosen to avoid environmental pollution. The guidance to this standard should be used in conjunction with the guidance to Standard 3.8 when designing wastewater treatment systems.

Several hundreds of wastewater treatment systems are thought to cause pollution problems every year. These problems occur mainly because of poor location, poor drainage field design or lack of maintenance.

Conversions - in the case of conversions, as specified in regulation 4, the building as converted shall meet the requirements of this standard (regulation 12, schedule 6).

3.9.1 Assessing the suitability of the ground

An infiltration system serving a private wastewater treatment plant, septic tank or for greywater should be constructed in ground suitable for the treatment and dispersion of the wastewater discharged. This can be achieved by following the guidance below.

A ground assessment and soil percolation test should be carried out to determine the suitability of the ground. The following three step procedure should be followed:

First, carry out a preliminary ground assessment. The following check list indicates the actions that should be taken and the type of information that should be collected:

- consult SEPA, verifier and the Environmental Health Officer as required
- consult SEPAs latest groundwater protection policy
- identification of the underlying geology and aquifers
- whether the ground is liable to flooding
- nature of the sub-soil and groundwater vulnerability
- implication of plot size

- proximity of underground services
- ground topography and local drainage patterns
- whether water is abstracted for drinking, used in food processing or farm dairies
- implication for, and of, trees and other vegetation
- location of surface waters and terrestrial ecosystems.

The preliminary assessment may indicate that the ground is unsuitable for the installation of an infiltration system, in which case an alternative disposal method should be considered.

Second, a trial hole should be dug to determine the position of the water table and soil conditions. This trial hole will enable the sub-soil type to be determined. The trial hole should be a minimum of 2m deep, or a minimum of 1.5m below the invert of the proposed distribution pipes. The trial hole should be left covered for a period of 48 hours before measuring any water table level. Subsoils that overlay bedrock allow water to move through the pore spaces between the grains of material of which they are composed. They are the first line of defence against pollution and act as a protecting filtering layer. Where these materials are unsaturated, pollution attenuation processes are often enhanced. Water flows through much of Scotland's bedrock via fissures. Attenuation of contaminants is limited in these cases. For safe and effective dispersal of the wastewater, the groundwater and bedrock should be at least 1m below the bottom of the distribution pipes. It should also be noted that it is the seasonally highest level of the water table that should be determined for the infiltration area.

Third, to determine the type of infiltration system and the area of ground required, percolation tests should be carried out. These percolation tests should be carried out using either of the following methods:

- a. expert examination of the soil distribution analysis, using the method described in BS 1377: Part 2: 1990, or
- b. expert in-situ testing using either the Constant Head or Tube Permeameter as described in CEN/TR 12566-2-2005, or
- c. excavate a minimum of two percolation holes, not less than 5m apart along the line of and below the proposed invert level of the effluent distribution pipe. Each hole should be 300mm square to a depth of 300mm. Where deep drains are necessary, the holes should conform to this shape at the bottom but may be enlarged above the 300mm level to facilitate safe excavation. Fill the 300mm square section of the holes to a depth of at least 300mm with water and allow them to seep away overnight. It is important to saturate the soil surrounding the test holes to simulate day to day conditions in an operational drainage field. Next day, refill the test sections of the percolation holes with water to a depth of at least 300mm and observe the time (t) in seconds, for the water to seep away from 75% to 25% full level. Divide this time by 150mm. The answer gives the average time in seconds (Vp) required for the water to drop 1mm. Take care when making the tests to avoid unusual weather conditions such as heavy rain, severe frost or drought. To obtain consistent results carry out the test at least 3 times for each percolation hole and take the average figure.

The floor area of a sub-surface drainage trench required to disperse effluent from treatment plants or septic tanks may be calculated from the following formula:

$$A = P \times V_p \times 0.25$$

A - is the area of the sub-surface drainage trench, in m²

p - is the number of persons served by the tank, and

Vp - is the percolation value obtained, as described above, in secs/mm.

For wastewater that has received the benefit of secondary treatment followed by settlement, this area may be reduced by 20%, i.e.

$$A = P \times V_p \times 0.2$$

3.9.2 Design of infiltration fields

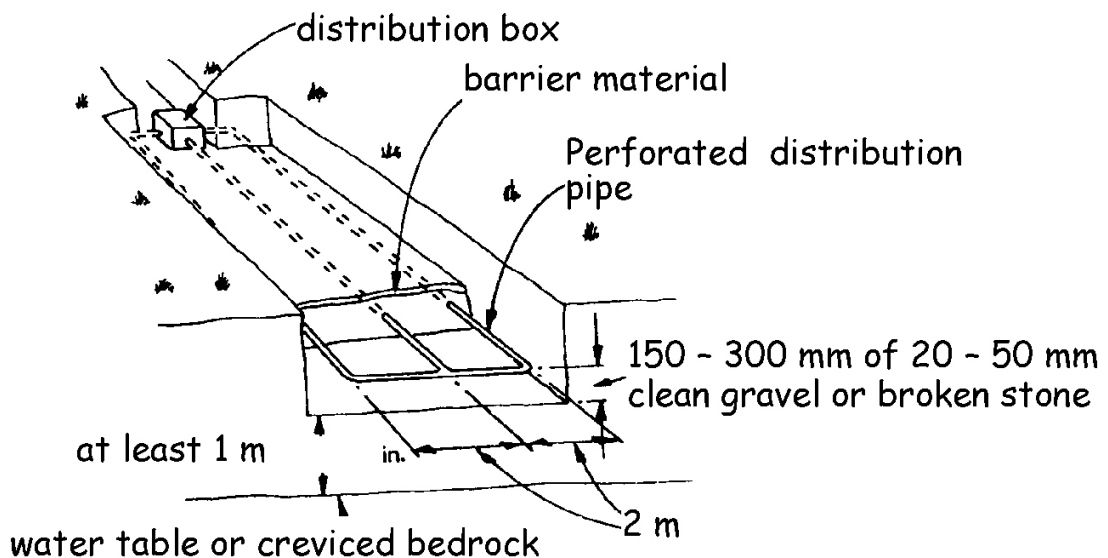
An infiltration system serving a private wastewater treatment plant or septic tank should be designed and constructed to suit the conditions as determined by the ground into which the treated wastewater is discharged. An infiltration system should be designed and constructed in accordance with the following guidance:

Fast percolation rates - where the percolation value (as demonstrated by the percolation test) is not more than 15 secs/mm, in accordance with the requirements of SEPA

Normal percolation rates - where the percolation value (as demonstrated by the percolation test) is more than 15 secs/mm and not more than 100 secs/mm as:

- a. a piped infiltration trench system in accordance with national annex NA of BS EN 752: 2008, using perforated, rigid pipes with a smooth internal surface, or
- b. a piped infiltration bed system in accordance with the diagram below, or
- c. any system described under 'slow and very slow percolation rates'.

Figure 3.9 Piped infiltration bed system

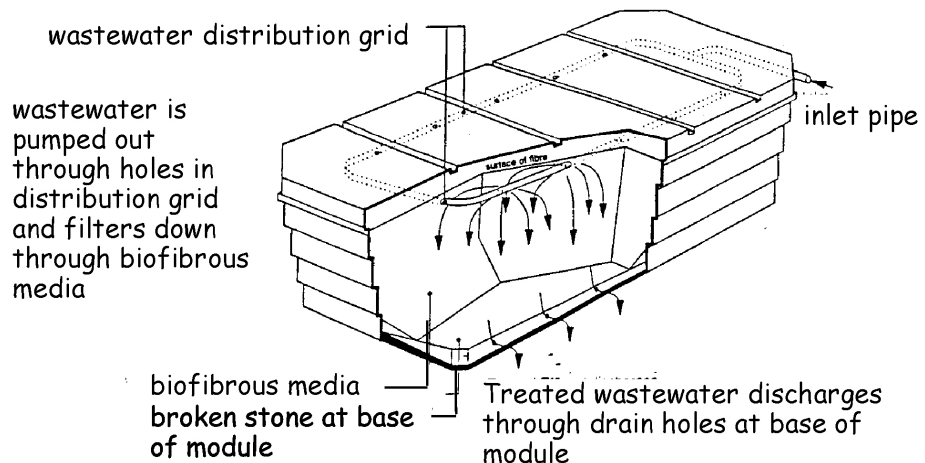


Slow percolation rates - where the percolation value (as demonstrated by the percolation test) is more than 100 secs/mm and not more than 140 secs/mm as:

- a. a reed bed complying with the requirements of the BRE, Good Building Guide, GBG 42, Parts 1 and 2 together with a piped infiltration system described in sub-clauses (a) and (b) with a normal percolation rate, or a suitable outfall, or
- b. a constructed wetland, other than a reed bed, to a professionally prepared design and constructed by specialist contractor(s), or
- c. a proprietary filtration system designed, constructed and installed in accordance with the conditions of a notified body, or

- d. any other equivalent filtration system designed by a specialist in this subject and constructed by specialist contractor(s).

Figure 3.10 Typical proprietary filtration system



Very slow percolation rates - where the percolation value (as demonstrated by the percolation test) is more than 140 secs/mm:

- a. as a system described under 'slow percolation rate' that does not use an infiltration system for the final treated wastewater, or
- b. for domestic sized buildings, by designing and constructing a mound filter system in accordance with BR 478, 'Mound Filter Systems for the treatment of domestic wastewater'.

3.9.3 Greywater disposal

The disposal of greywater (from baths, showers, washbasins, sinks and washing machines) may be accomplished by an infiltration field the area of which can be calculated from the following:

$$A = P \times V_p \times 0.2$$

A - is the area of the sub-surface drainage trench, in m²

p - is the number of persons served, and

V_p - is the percolation value obtained, as described above, in secs /mm.

3.9.4 Location of infiltration fields – pollution

An infiltration system serving a private wastewater treatment plant or septic tank should be located to minimise the risk of pollution. An infiltration field should be located in accordance with the following guidance:

- a. at least 50m from any spring, well or borehole used as a drinking water supply, and
- b. at least 10m horizontally from any watercourse (including any inland or coastal waters), permeable drain, road or railway.

3.9.5 Location of infiltration fields – damage to buildings

Research has shown that there are no health issues that dictate a safe location of an infiltration field relative to a building. However damage to the foundations of a building is likely to occur where discharge is too close to the building. It is sensible to ensure that any water bearing strata directs any effluent away from the building.

To prevent any such damage therefore, every part of an infiltration system serving a private wastewater treatment plant or septic tank should be located at least 5m from a building. An infiltration system should also be located at least 5m from a boundary in order that an adjoining plot is not inhibited from its full development potential.

However the ground strata or permeability of the soil may influence this dimension and it may be reduced slightly where the strata directs any groundwater away from the foundations or if the soil is free draining. Indeed, to preserve the structural integrity of the building, it may be prudent to increase the dimension where ground conditions would allow wastewater to collect around the building's foundations.

3.10 Precipitation

Mandatory Standard

Standard 3.10

Every building must be designed and constructed in such a way that there will not be a threat to the building or the health of the occupants as a result of moisture from precipitation penetrating to the inner face of the building.

Limitation:

This standard does not apply to a building where penetration of moisture from the outside will result in effects no more harmful than those likely to arise from use of the building.

3.10.0 Introduction

Rain penetration shows up as damp patches, usually after heavy rain, on the inside of external walls, around door or window openings or on ceilings. It can be difficult to pinpoint the exact route the rainwater is taking. For example, a damp patch on a ceiling could be the result of a faulty flashing or damaged felt on a flat roof some distance away from the damp patch.

Similarly, unless they have adequate damp proof courses and flashings, materials in parapets and chimneys can collect rainwater and deliver it to other parts of the dwelling below roof level. Penetration occurs most often through walls exposed to the prevailing wet winds, usually south-westerly or southerly. There is evidence that the amount of rainfall has increased across much of Scotland. In addition, the majority of research indicates that this trend may continue as a consequence of climate change.

There are numerous publications providing good practice guidance on methods of preventing rain penetration to internal surfaces of buildings. BRE book 'Roofs and Roofing

– performance, diagnosis, maintenance, repair and the avoidance of defects' provides helpful guidance for building professionals to address these problematic issues.

Explanation of terms - the following terms are included to provide clarity to their meaning in the guidance to this standard.

A vented cavity means a cavity with openings to the outside air placed so as to allow some limited, but not necessarily through air movement. The openings are normally located at low level where they can also act as weep holes to drain water from the cavity.

A ventilated cavity means a cavity with openings to the outside air placed so as to promote through movement of air. The openings should be located at high and low level.

Conversions - in the case of conversions, as specified in regulation 4, the building as converted shall meet the requirements of this standard in so far as is reasonably practicable, and in no case be worse than before the conversion regulation 12, schedule 6).

3.10.1 General provisions

A floor, wall, roof or other building element exposed to precipitation, or wind driven moisture, should prevent penetration of moisture to the inner surface of any part of a dwelling so as to protect the occupants and to ensure that the building is not damaged.

For external wall constructions it is important that the wall is designed and constructed to suit the degree of exposure to wind and rain that it may be subject to.

BS EN ISO 15927-3: 2009 and BS 8104: 1992 provide a range of methodologies for the assessment of wind driven rain on the walls of a building:

- BS EN ISO 15927-3: 2009 – This methodology, which is based closely on BS 8104, uses two procedures to analyse hourly wind and rain data, collected for any location over a minimum 10 year period, to calculate a driving rain index.
- BS 8104: 1992 – This methodology determines the degree of exposure of a wall by using historical wind and rain data mapped at specific locations across the country.

An alternative simplified approach is provided within BR 262 'Thermal Insulation: Avoiding the risks'. This document is based on BS 8104 and provides a map that indicates exposures zones.

Some types of buildings, such as carports or storage of outdoor equipment, can be unaffected by damp penetration and the following guidance therefore may not be relevant.

When using any of the constructions below, the following general recommendations should be followed for walls or roofs, as appropriate:

- masonry walls of bricks and/or blocks incorporating damp-proof courses, flashings and other materials and components constructed in accordance with the relevant recommendations of BS 5628: Part 3: 2005. The construction used should suit the degree of exposure to wind and rain as described in BS EN ISO 15927-3: 2009 or BS 8104: 1992
- masonry walls incorporating external rendering which conforms to the relevant recommendations of BS 5262: 1991, to suit the degree of exposure and the type of masonry
- masonry walls of natural stone or cast stone blocks constructed in accordance with the relevant recommendations of BS 5628: Part 3: 2005 and to suit the degree of exposure to wind and rain as described in BS EN ISO 15927-3: 2009 or BS 8104: 1992

- masonry cavity walls incorporating insulation material, either as a complete or partial cavity fill, where the insulating material is the subject of a current certificate issued under the relevant conditions of an independent testing body. The walls should be constructed in accordance with the terms of the certificate and to suit the degree of exposure to wind and rain as described in BS EN ISO 15927-3: 2009 or BS 8104: 1992; and the relevant recommendations of the following British Standards:

Table 3.3 Cavity wall insulation

Materials or conditions	British Standards
Urea formaldehyde (UF) foam	BS 5617: 1985 and BS 5618: 1985
Man-made mineral fibre (slabs)	BS 6676: Part 1: 1986
Assessment of walls for filling	BS 8208: Part 1: 1985

- roofs with copper, lead, zinc and other sheet metal roof coverings require provision for expansion and contraction of the sheet material. In 'warm deck' roofs, in order to reduce the risk of condensation and corrosion, it may be necessary to provide a ventilated air space on the cold side of the insulation and a high performance vapour control layer between the insulation and the roof structure. It may also be helpful to consult the relevant trade association
- walls or roofs incorporating cladding materials constructed in accordance with the recommendations of the following British Standards or Codes of Practice:

Table 3.4 Wall and roof cladding materials

Materials and conditions	Element	British Standards and Codes of Practice
Aluminium	wall or roof	CP 143: Part 15: 1973 (1986)
Galv. corrugated steel	wall or roof	CP 143: Part 10: 1973
Lead	wall or roof	BS 6915: 2001
Copper	wall or roof	CP 143: Part 12: 1970 (1988)
Slates and tiles	wall or roof	BS 5534: Part 1: 2003
Zinc	wall or roof	CP 143: Part 5: 1964
Non-loadbearing walls	wall or steep roof	BS 8200: 1985
PC concrete cladding	wall	BS 8297: 2000
Natural stone cladding	wall	BS 8298: 1994
Flat roofs	roof	BS 6229: 2003
Bitumen felt	roof	BS 8217: 2005
Mastic asphalt	roof	BS 8218: 1998

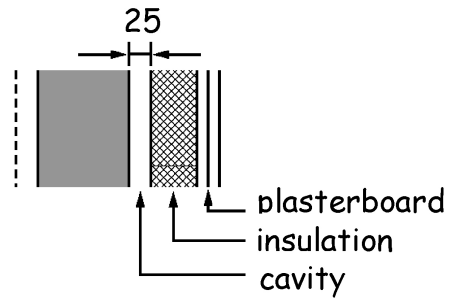
3.10.2 Wall constructions (solid, masonry)

The following sketches provide guidance on recommended methods of construction to prevent rain penetration to the inner surfaces of the building. The thickness and other dimensions quoted are the minimum recommended unless otherwise stated. Greater figures are therefore possible.

Wall type A (solid wall with internal insulation)

Solid wall, 200mm thick of bricks, blocks or slabs of clay, calcium silicate, concrete or cast stone. Wall rendered or unrendered externally. Insulation and plasterboard internally, with a cavity 25mm wide.

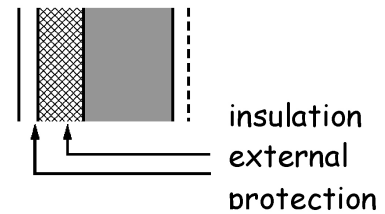
Figure 3.11 Wall type A



Wall type B (solid wall with external insulation)

Solid wall as (A) above. Insulation applied to the external surface of the wall; protected externally either by cladding (of sheets, tiles or boarding) with permanent ventilation, or by rendering. Wall with or without an internal surface finish of plaster or plasterboard.

Figure 3.12 Wall type B

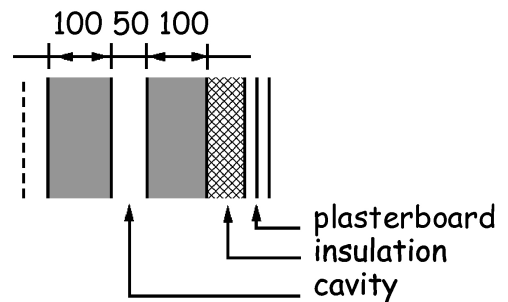


3.10.3 Wall constructions (cavity, masonry)

Wall type A (cavity wall with internal insulation)

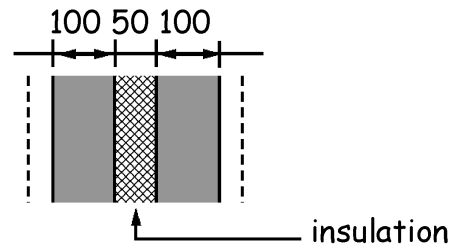
Cavity wall of 2 leaves of masonry separated by a 50mm cavity; each leaf, 100mm thick, of either bricks or blocks of clay, calcium silicate or concrete. Wall rendered or unrendered externally. Insulation applied as a lining to the internal surface of the wall and plasterboard.

Figure 3.13 Wall type A



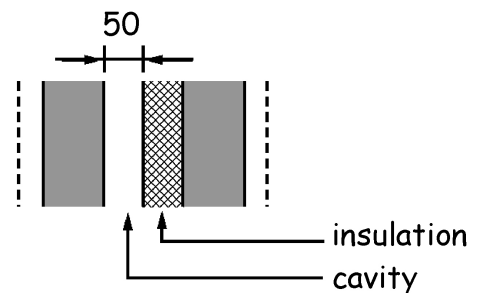
Wall type B (cavity wall with cavity fill insulation) - Cavity wall as (A) above. Wall rendered or unrendered externally. Insulation applied as a cavity fill. Wall with or without an internal surface finish of plaster or plasterboard. This construction is only recommended for sheltered conditions.

Figure 3.14 Wall type B



Wall type C (cavity wall with partial fill insulation) - Cavity wall as (A) above. Wall rendered or unrendered externally. Insulation applied to either leaf as a partial cavity fill so as to preserve a residual space of 50mm wide. Wall with or without an internal surface finish of plaster or plasterboard.

Figure 3.15 Wall type C



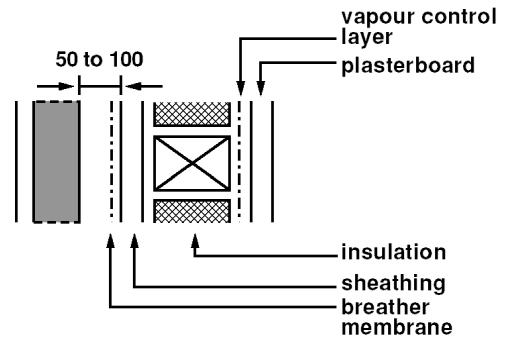
3.10.4 Conservatories and Extensions

Careful consideration should be given to the detailing of an existing wall of a building when a conservatory or extension is added. The outer leaf of a previously external wall will become an internal wall and any moisture that enters the cavity could collect and cause serious damage to the building. Where the dwelling is located in an exposed location or where the existing construction might allow the passage of rain either through facing brick or a poorly rendered masonry wall, the use of a cavity tray along the line of the roof of the conservatory or extension may be appropriate. However in sheltered situations or where the detailing can prevent damage to the building as a result of rain penetration a ragged flashing (chased into the wall) may be sufficient.

3.10.5 Wall constructions (framed)

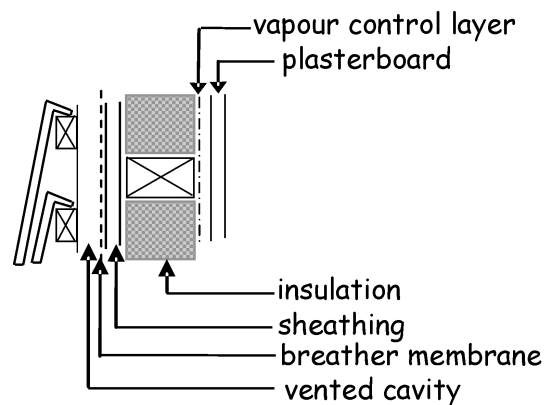
Wall type A (masonry cladding) - Framed wall of timber studs and dwangs, with a vapour permeable sheathing to the framing covered with a breather membrane. Masonry external cladding of 100mm thick clay brick or block, concrete or calcium silicate brick or block, dense in-situ concrete, lightweight concrete or autoclaved aerated concrete, with an externally ventilated cavity in accordance with the guidance in clause 3.10.6. Masonry cladding rendered or unrendered externally. Insulation applied as an infill to the framing. The framing lined internally with a vapour control layer and plasterboard.

Figure 3.16 Wall type A



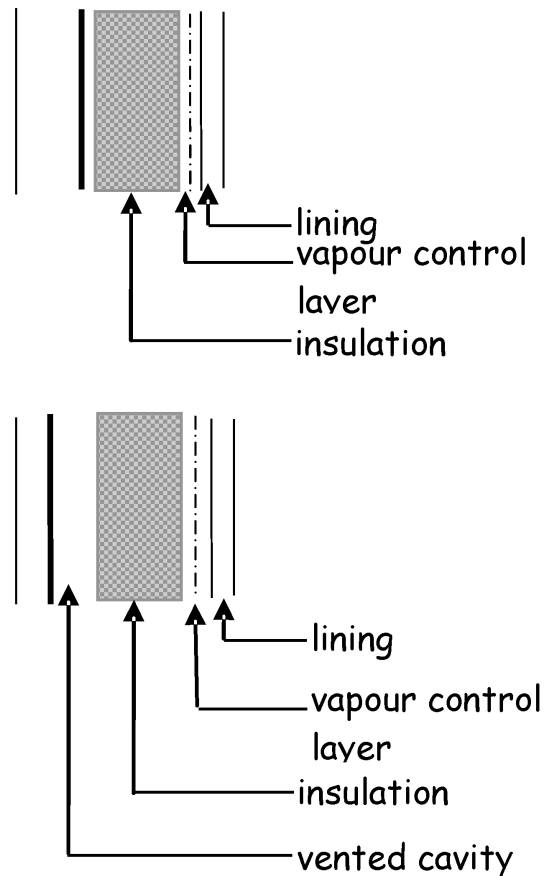
Wall type B (weatherboarding, tile or slate cladding) - framed wall of timber studs and dwangs with a breather membrane. Cladding material, on battens and counter battens as required, of timber weather boarding, tile or slate. Insulation and internal lining as (A) above.

Figure 3.17 Wall type B



Wall type C (sheet or panel cladding with/ without ventilated cavity) - framed wall of timber or metal studs and dwangs. Sheet or panel cladding material of fibre cement, plastic, metal, GRP or GRC. Insulation applied either to the internal face of the framing with permanent ventilation behind any impervious cladding, or as an infill to the framing; in either case the wall lined internally with a vapour control layer and a lining.

Figure 3.18 Wall type C



3.10.6 Ventilation of wall cavities

Ventilation of external wall cavities is necessary to prevent the build-up of excessive moisture that could damage the fabric of a building. Ventilation holes can also be used to drain excess water from the cavity that has entered through the outer leaf.

Timber frame - interstitial condensation is one of the major problems that need to be addressed in timber framed buildings. To reduce the amount of interstitial condensation to a level that will not harm the timber frame or sheathing, a cavity of at least 50mm wide should be provided between the sheathing and the cladding. Where timber, slate or tile cladding is used, the width of the cavity should be measured between the sheathing and the inner face of the cladding, ignoring the battens and counter battens.

Where the outer leaf is of timber, slate or tile clad construction, a vented cavity should be provided. A ventilated cavity should be provided for extra protection in severely exposed areas. Where necessary refer to BS 8104: 1992. Due to the air gaps inherent between the components of a timber, slate or tile clad wall, no proprietary ventilators should be necessary and a 10mm free air space should be sufficient.

Cavity barriers - where the wall cavity is sub-divided into sections by the use of cavity barriers e.g. at mid-floor level in a 2 storey house, the ventilators should be provided to the top and bottom of each section of the cavity. Care should be taken with rendered walls to prevent blockage of the ventilators.

Masonry outer leaf - where the outer leaf is of masonry construction, venting of the cavity is normally sufficient. Cavities should be vented to the outside air by installing ventilators with at least 300mm² free opening area at 1.2m maximum centres. Precipitation can

penetrate the outer leaf of an external wall and cavities are normally drained through weep holes. These weep holes can also provide the necessary venting.

3.10.7 Roof constructions (flat)

The following sketches provide guidance on recommended methods of construction to prevent rain penetration to the inner surfaces of a building.

There is evidence to suggest that condensation in cold deck flat roofs can cause problems and these type of roofs should be avoided. Both the warm deck and warm deck inverted roof constructions, where the insulation is placed above the roof deck, are considered preferable. Further guidance is given to Standard 3.15, Condensation.

The following British Standards give recommendations on the design and construction of flat roofs:

BS 6229: 2003 – CoP for flat roofs with continuously supported coverings

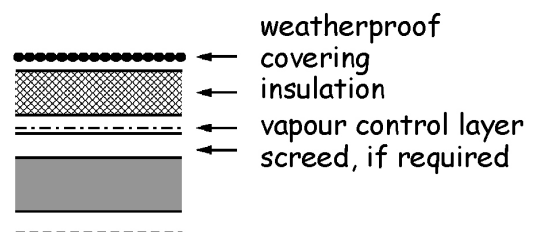
BS 6915: 2001 – CoP Design and construction of fully supported lead sheet roof and wall cladding

BS 8217: 2005 – CoP for reinforced bitumen membranes

BS 8218: 1998 – CoP for mastic asphalt roofing CP 143-12: 1970 – CoP for sheet and wall coverings

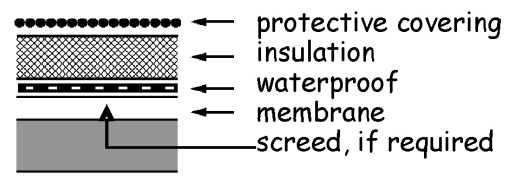
Roof type A (concrete - warm roof) - flat roof structure of in-situ or precast concrete with or without a screed; with or without a ceiling or soffit. External weatherproof covering; with insulation laid on a vapour control layer between the roof structure and the weatherproof covering. [Note 1]

Figure 3.19 Roof constructions - Type A



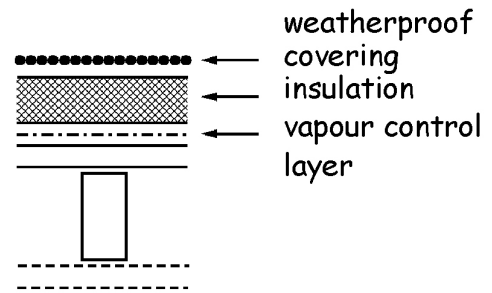
Roof type B (concrete - inverted roof) - flat roof structure as (A) above. External protective covering; with low permeability insulation laid on a waterproof membrane between the roof structure and the external covering.

Figure 3.20 Roof constructions - Type B



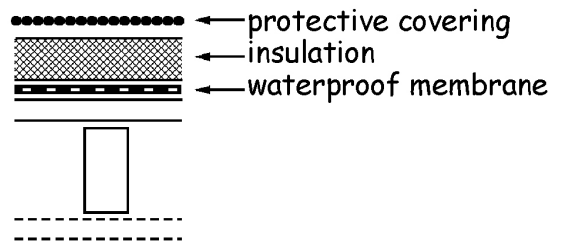
Roof type C (timber or metal frame - warm roof) - flat roof structure of timber or metal-framed construction with a board decking 19mm thick; with or without a ceiling or soffit. External weatherproof covering, insulation and vapour control layer as (A) above. [Note 1]

Figure 3.21 Roof constructions - Type C



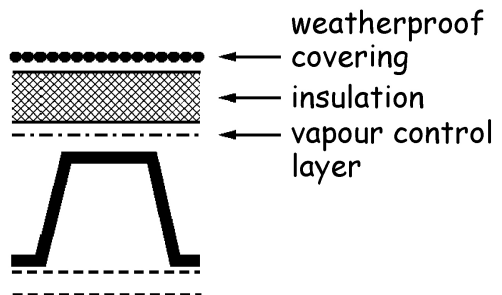
Roof type D (timber or metal frame - inverted roof) - flat roof structure as (C) above. External protective covering, insulation and waterproof membrane as (B) above.

Figure 3.22 Roof constructions - Type D



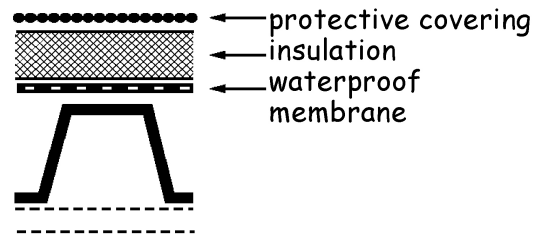
Roof type E (troughed metal decking - warm roof) - flat roof structure of timber or metal framed construction with a troughed metal decking; with or without a ceiling or soffit. External weatherproof covering and insulation and vapour control layer as (A) above. [Note 1]

Figure 3.23 Roof constructions - Type E



Roof type F (troughed metal decking - inverted roof) - flat roof structure as (E) above. External protective covering, insulation and waterproof membrane as (B) above.

Figure 3.24 Roof constructions - Type F



Note

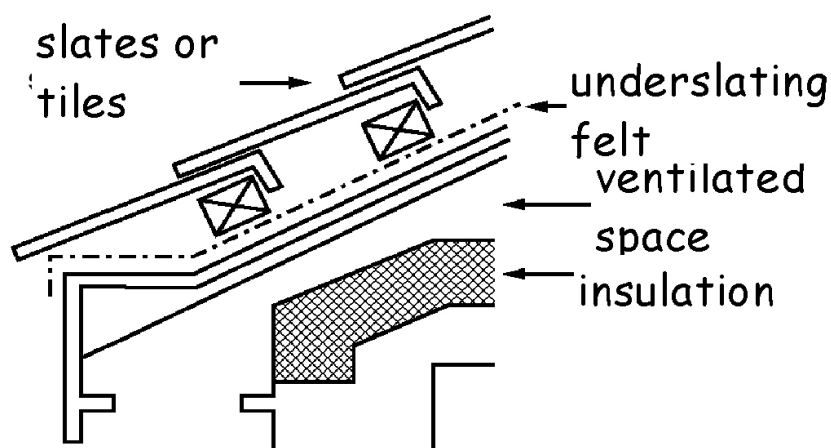
Roof types A, C and E are not suitable for sheet metal coverings that require joints to allow for thermal movement. See also sub-clause f of clause 3.10.1.

3.10.8 Roof constructions (pitched)

BS 5534: 2003 gives recommendations on the design, materials, installation and performance of slates, tiles and shingles including, amongst others, information on rain and wind resistance. The British Standard also provides a comprehensive list of other British Standards covering other less common pitched roof coverings.

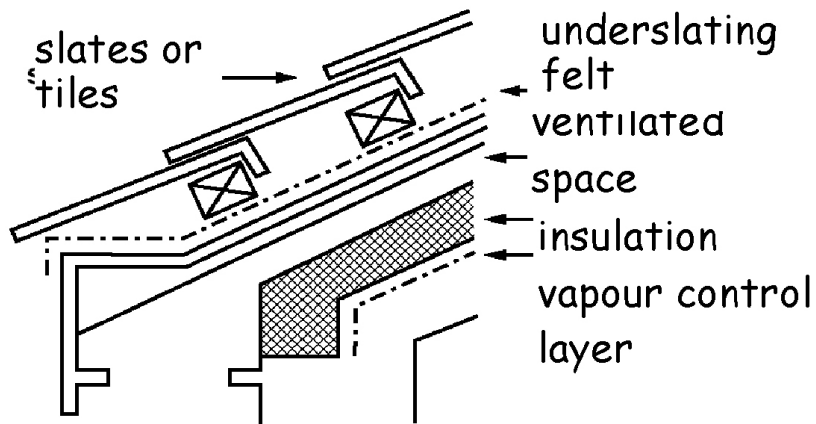
Roof type A (slate or tiles - insulation on a level ceiling) - pitched roof structure of timber or metal framed construction. External weatherproof covering of slates or tiles on under slating felt with or without boards or battens.

Figure 3.25 Roof constructions - Type A (slate or tiles - insulation on a level ceiling)



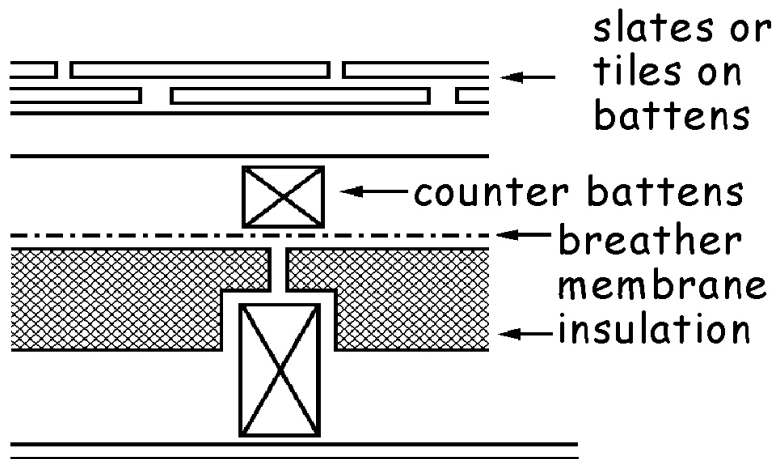
Roof type B (slate or tiles - insulation on a sloping ceiling) - pitched roof structure as (A) above. External weatherproof covering as (A).

Figure 3.26 Roof constructions - Type B (slate or tiles - insulation on a sloping ceiling)



Roof type C (slate or tiles - insulation on decking) - pitched roof structure as (A) above with a decking of low permeability insulation fitted to and between the roof framing. External weatherproof covering of slates or tiles, with tiling battens and counter battens (located over roof framing), and a breather membrane laid on the insulation decking; with a sloping ceiling.

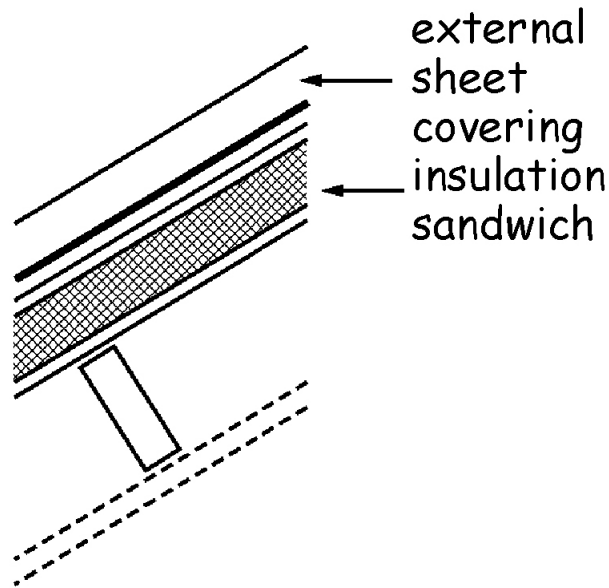
Figure 3.27 Roof constructions - Type C (slate or tiles - insulation on decking)



C. Slates or tiles - insulation as decking

Roof type D (metal or fibre cement sheet - sandwich insulation) - pitched roof structure as (A) above. External weatherproof covering of metal or fibre cement sheet sandwich construction laid on purlins; with insulation sandwiched between the external and soffit sheeting; and with or without a ceiling. [Note 2]

Figure 3.28 Roof constructions - Type D (metal or fibre cement sheet - sandwich insulation)



Note Roof type (D) is not suitable for sheet metal coverings that require joints to allow for thermal movement. See also sub-clause f of clause 3.10.1.

3.11 Facilities in dwellings

Mandatory Standard

Standard 3.11

Every building must be designed and constructed in such a way that:

- a. the size of any apartment or kitchen will provide a level of amenity that ensures the welfare and convenience of all occupants and visitors, and
- b. an accessible space is provided to allow for the safe, convenient and sustainable drying of washing.

Limitation:

This standard applies only to a dwelling.

3.11.0 Introduction

Guidance on design of dwellings recommends that the size of individual rooms should be dictated by the way a room should function and the activities that are to be accommodated rather than by arbitrary rule of thumb areas. This design philosophy was included in a report by Sir Parker Morris in the 1960s and is still relevant today.

Extending standards to address 'liveability' and the needs of occupants supports the Scottish Government's aim of promoting a more inclusive built environment and will better address the changing needs of occupants over time. This approach to the design of dwellings ensures that Scotland's housing stock can respond to the needs of our population, now and in the future.

The provision, on one level, of an enhanced apartment, and kitchen under this standard, together with accessible sanitary accommodation (Standard 3.12) and improvement to circulation spaces (Standard 4.2) will assist in creating more sustainable homes.

The guidance in this standard and Standard 3.12, together with the guidance in Section 4, Safety relating to accessibility, has been based around, and developed from, issues that are included in 'Housing for Varying Needs' and the Lifetime Homes concept developed by the Joseph Rowntree Foundation.

Drying of washing - from 1963 to 1986 the building regulations included a requirement for the provision of drying facilities. This was removed in response to increased ownership of specialised appliances and the vandalism of common drying areas in blocks of flats. The re-introduction of space to allow washing to be dried other than by a tumble drier is intended to encourage the use of more sustainable methods and thereby reduce carbon dioxide emissions.

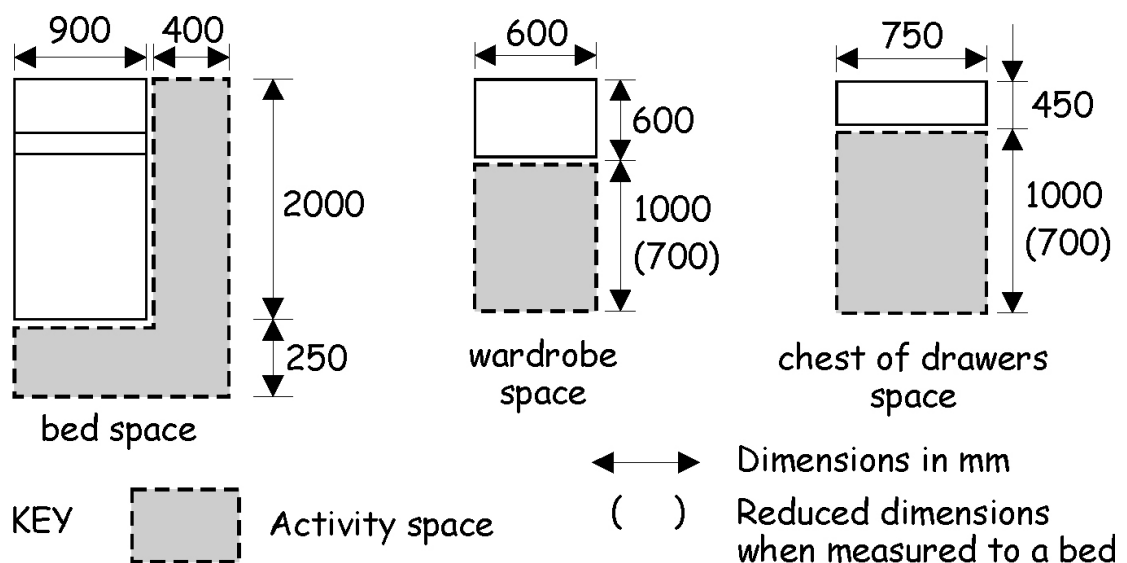
Recycling - designers should be aware of local authority initiatives on the recycling of solid waste and useful cross-references are provided in the guidance to Standard 3.25, Solid waste storage. Such initiatives may affect storage provision in a dwelling.

Conversions - in the case of conversions, as specified in regulation 4, the buildings as converted shall meet the requirement of this standard (regulation 12, schedule 6).

3.11.1 Apartments

Every apartment should be of a size that will accommodate at least a bed, a wardrobe and a chest of drawers, this being the minimum furniture provision that may be expected in such a room. Associated activity spaces for each item of furniture should be shown as in the diagram below. A door swing may open across an activity space.

Figure 3.29 Activity Spaces



Additional information:

1. Activity spaces for furniture may overlap.
2. A built-in wardrobe space of equal size may be provided as an option to a wardrobe.

3.11.2 Enhanced apartment

Smaller apartments or those with an unusual shape may limit how space within can be used. Where all apartments within a dwelling are designed in this way, this will present problems for occupants, particularly if affecting the main living spaces.

Therefore, at least one apartment on the principal living level of a dwelling should be of a size and form that allows greater flexibility of use. This enhanced apartment should:

- have a floor area of at least 12m² and a length and width at least 3.0m (see Note 1). This area should exclude any space less than 1.8m in height and any portion of the room designated as a kitchen, and
- contain a unobstructed manoeuvring space of at least a 1.5m by 1.5m square or an ellipse of at least 1.4m by 1.8m, which may overlap with activity spaces recommended in clause 3.11.1. A door may open over this space, and
- have unobstructed access, at least 800mm wide, to the controls of any openable window or any heating appliance and between doors within the apartment.

Note 1: In some small dwellings (i.e. those with not more than 3 apartments) it may not always be reasonably practicable to achieve the minimum length or width of 3m. In such one or two bedroom properties, either the length or the width may be reduced to not less than 2.8m, however, a floor area of at least 12m² should be maintained.

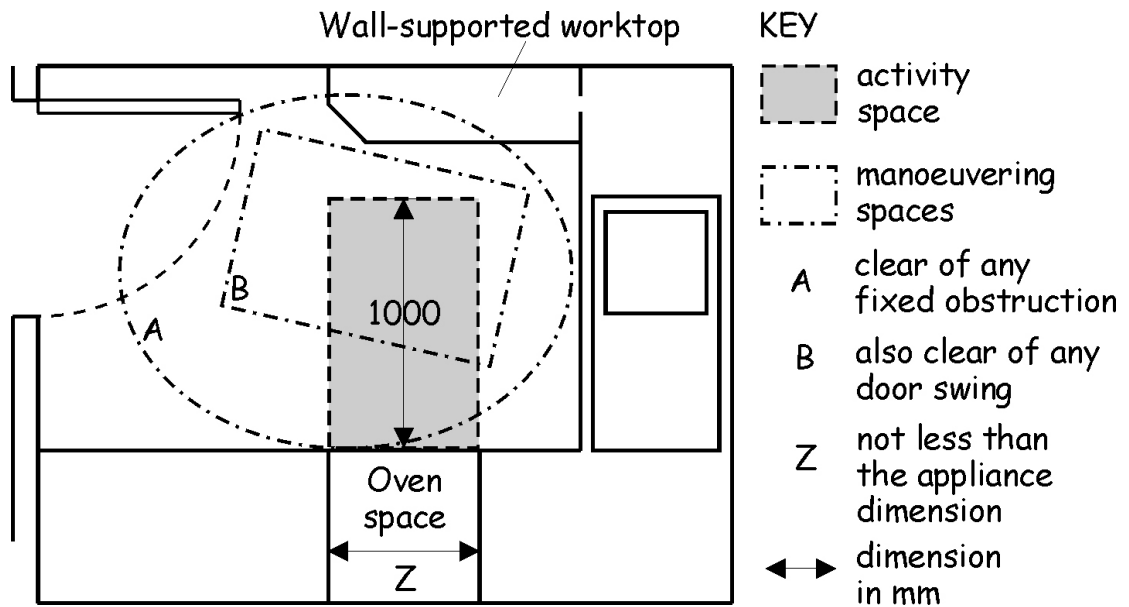
3.11.3 Kitchens

A dwelling should have a kitchen and, to be accessible, this should be on the principal living level. Space should be provided within the kitchen to both assist in use by a person with mobility impairment and offer flexibility in future alteration.

The layout should include an unobstructed manoeuvring space of at least a 1.5m by 1.5m square or an ellipse of 1.4m by 1.8m. A door may open across this manoeuvring space but a clear space of at least 1.1m long by 800mm wide, oriented in the direction of entry into the room, should remain unobstructed, to allow an occupant to enter and close the door.

A wall-supported worktop or similar obstruction, the underside of which is at least 750mm above floor level, may overlap the manoeuvring space by not more than 300mm.

Figure 3.30 Space provision within a kitchen



Where a kitchen is within the same room as an apartment, the area of the kitchen should be defined by a rectangle enclosing any floor-standing units, appliances and worktops. In such cases, manoeuvring space for the kitchen may project into the apartment but should not overlap with the separate manoeuvring space of an enhanced apartment.

A kitchen should be provided with space for a gas, electric or oil cooker or with a solid fuel cooker designed for continuous burning. The space should accommodate such piping, cables or other apparatus as will allow the appliance to operate. A cooker should have an activity space to allow access to, and safe use of, an oven, as shown in the diagram above. An activity space need not be provided in front of a hob or microwave oven.

Kitchen storage of at least 1m³ should be provided either within or adjacent to the kitchen. Additional storage may be required depending on the local authority's recycling policy.

3.11.4 Height of activity spaces

Reduced headroom, such as beneath a sloping ceiling, can cause problems in use of both facilities and furniture, particularly if a person has difficulty in bending or has a visual impairment.

Activity spaces within the enhanced apartment or kitchen should therefore have an unobstructed height of at least 1.8m.

3.11.5 Alterations and extensions

Where works to alter or extend are proposed, physical constraints in the size of an extension or the form of an existing building may mean that meeting recommendations in guidance is not always possible. Accordingly:

- where alteration or extension of a building includes works to, or provision of a new, apartment on the principal living level of the dwelling, and there is not already an enhanced apartment on that level, guidance in clause 3.11.2 should be met as far as is reasonably practicable
- where altering an existing kitchen, guidance on manoeuvring space given in clause 3.11.3 should be met as far as is reasonably practicable.

3.11.6 Drying of washing

Drying washing indoors can produce large amounts of water vapour that needs to be removed before it can damage the building fabric or generate mould growth that can be a risk to the health of occupants. The tendency to build 'tighter' buildings could increase these risks by trapping the moisture in the building. Providing dedicated drying areas either outside or inside the dwelling should discourage householders from using non-sustainable methods of drying washing and should encourage the adoption of alternative practices that limit the production of greenhouse gases and the depletion of material resources.

Outdoor drying space - drying washing outside will avoid the problems of high relative humidity in the home and where it is reasonably practicable, an accessible space for the drying of washing should be provided for every house on ground immediately adjacent to, and in the same occupation as, the house. The area provided should allow space for at least 1.7m of clothes line per apartment.

Indoor drying space - since weather is unreliable in Scotland, a designated space for the drying of washing should be provided in every dwelling, in addition to the external space.

The designated space may be either:

- capable of allowing a wall mounted appliance which may, for example be fixed over a bath, or
- capable of allowing a ceiling-mounted pulley arrangement, or
- a floor space in the dwelling on which to set out a clothes horse.

The designated space should have a volume of at least 1m³ and should have no dimension less than 700mm. The designated space should allow space for at least 1.7m of clothes line per apartment.

The location of the designated space should not restrict access to any other area or appliance within the dwelling nor obstruct the swing of any door.

Guidance to Standard 3.14 provides information on the ventilation of indoor spaces designated for the drying of washing.

3.12 Sanitary facilities

Mandatory Standard

Standard 3.12

Every building must be designed and constructed in such a way that sanitary facilities are provided for all occupants of, and visitors to, the building in a form that allows convenience of use and that there is no threat to the health and safety of occupants or visitors.

3.12.0 Introduction

Sanitary accommodation that is more immediately accessible and offers both adaptability and flexibility of layout gives a more sustainable solution that will simplify modifications

to the design and layout of dwellings, helping to reduce cost and disruption and better enabling people to remain in their home as their circumstances change.

Although not recommending that sanitary facilities on the principal living level of a dwelling be designed to an optimum standard for wheelchair users, it should be possible for most people to use these facilities unassisted and in privacy.

Extending standards to address 'liveability' and the needs of occupants supports the Scottish Government's aim of promoting a more inclusive built environment and will better address the changing needs of occupants over time. This approach to the design of dwellings ensures that Scotland's housing stock can respond to the needs of our population, now and in the future.

The guidance in this standard and Standard 3.11, together with the guidance in Section 4, Safety relating to accessibility, has been based around, and developed from, issues that are included in 'Housing for Varying Needs' and the Lifetime Homes concept developed by the Joseph Rowntree Foundation.

The provision, on one level, of accessible sanitary accommodation under this standard, together with an enhanced apartment, and kitchen (Standard 3.11) and improvement to circulation spaces (Standard 4.2) will assist in creating more sustainable homes.

Lead in water - the human body absorbs lead easily from drinking water and this can have a negative effect on the intellectual development of young children. Although mains water supplies do not contain significant levels of lead, recent research studies have shown that leaded solder plumbing fittings, normally used for heating systems, have been used on drinking water pipework in contravention of the Scottish Water Byelaws 2004. Further guidance can be obtained from Scotland and Northern Ireland Plumbing Employers Federation (SNIPEF) <http://www.snipef.co.uk/> and Scottish Water. <http://www.scottishwater.co.uk/>.

Conversions - in the case of conversions, as specified in regulation 4, the building as converted shall meet the requirement of this standard (regulation 12, schedule 6).

3.12.1 Sanitary provision

Every dwelling should have sanitary facilities comprising at least 1 watercloset (WC), or waterless closet, together with 1 wash hand basin per WC, or waterless closet, 1 bath or shower and 1 sink. It is normal for the sink to be located in a kitchen.

To allow for basic hygiene, a wash hand basin should always be close to a WC or waterless closet, either within a toilet, or located in an adjacent space providing the sole means of access to the toilet.

There should be a door separating a space containing a WC, or waterless closet, from a room or space used for the preparation or consumption of food, such as a kitchen or dining room.

3.12.2 Waterless closets

If a waterless closet is installed it should be to a safe and hygienic design such as:

- a. National Sanitation Foundation Certification to Standard NSF 41: 'wastewater recycling/reuse and water conservation devices', or
- b. NFS International Standard NSF/ANSI 41-1999: 'non-liquid saturated treatment systems', or

c. to the conditions of a certification by a notified body.

Although some European countries manufacture waterless closets, they have not as yet been tested to any recognised standard. This does not mean that they are unacceptable, just that care should be taken in their choice to ensure they are both safe and hygienic in use.

3.12.3 Accessible sanitary accommodation

Bathrooms and toilets designed to minimum space standards can often create difficulties in use. As the ability of occupants can vary significantly, sanitary accommodation should be both immediately accessible and offer potential for simple alteration in the future.

A dwelling should have at least 1 accessible WC, or waterless closet, and wash hand basin and at least 1 accessible shower or bath.

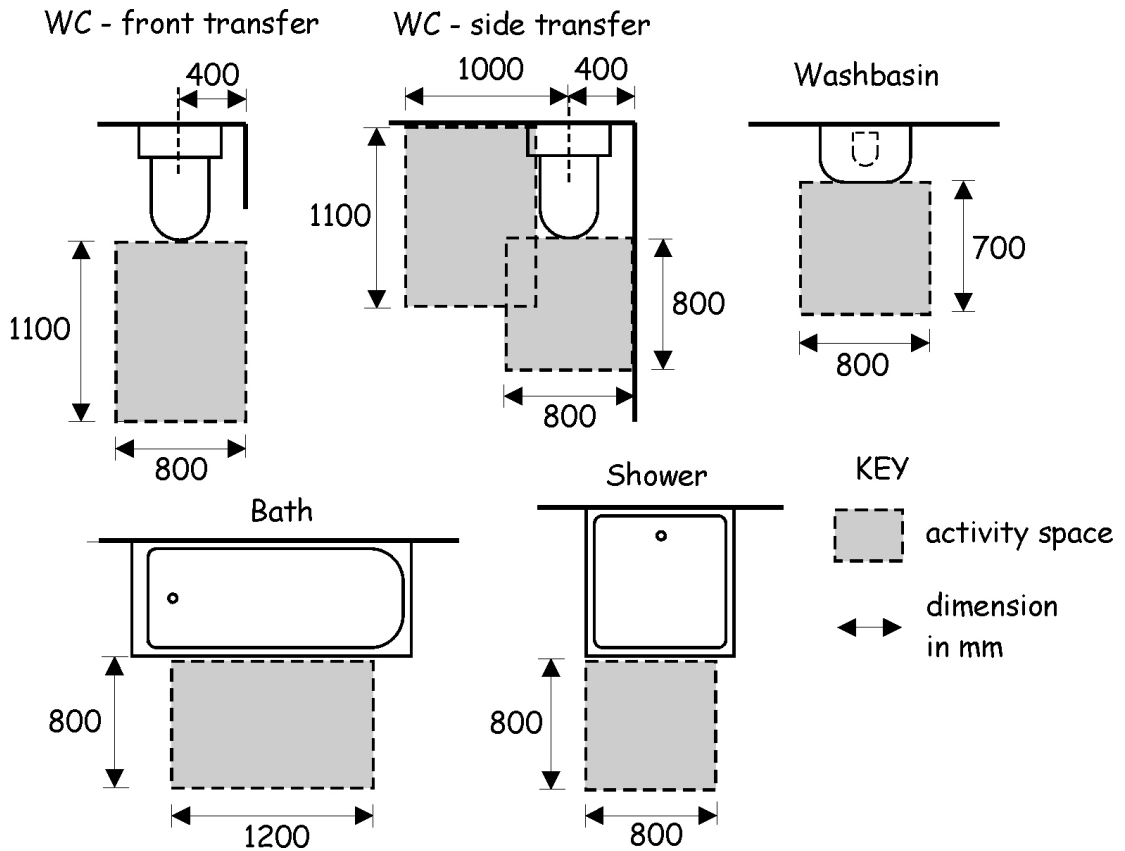
These sanitary facilities should be located on the principal living level of a dwelling and be of a size and form that allows unassisted use, in privacy, by almost any occupant. This should include use by a person with mobility impairment or who uses a wheelchair, albeit with limited manoeuvring space within the sanitary accommodation.

An additional accessible toilet may be needed on the entrance level of a dwelling where this is not also the principal living level (see clause 4.2.10).

Accessible sanitary accommodation should have:

- a manoeuvring space that will allow a person to enter and close the door behind them. This should be at least 1.1m long by 800mm wide, oriented in the direction of entry, and clear of any door swing or other obstruction, and
- except where reduced by projection of a wash hand basin, unobstructed access at least 800mm wide to each sanitary facility, and
- an activity space for each sanitary facility, as noted in the diagram below. These may overlap with each other and with the manoeuvring space noted above. A door may open over an activity space, and
- an unobstructed height above each activity space and above any bath or shower of at least 1.8m above floor level, and
- walls adjacent to any sanitary facility that are of robust construction that will permit secure fixing of grab rails or other aids in the zones noted in figure 3.32 (all indicated sizes are minimum dimensions), and
- where incorporating a WC, space for at least one recognised form of unassisted transfer from a wheelchair to the WC.

Figure 3.31 Activity spaces for accessible sanitary facilities



Additional information:

1. Though commonly as shown, the activity space in front of a WC need not be parallel with the axis of the WC.
2. Where allowing side transfer, a small wall-hung wash hand basin may project up to 300mm into the activity space in front of the WC.
3. The projecting rim of a wash hand basin may reduce the width of a route to another sanitary facility to not less than 700mm.
4. A hand-rinse basin should only be installed within a toilet and only if there is a full-size wash hand basin elsewhere in the dwelling.

An accessible bathroom should be of a size that will accommodate a 1.7m x 700mm bath (or equivalent). The activity space in front of a bath may be at any position along its length. Within an accessible bathroom, it should be possible to replace the bath with an accessible shower without adversely affecting access to other sanitary facilities.

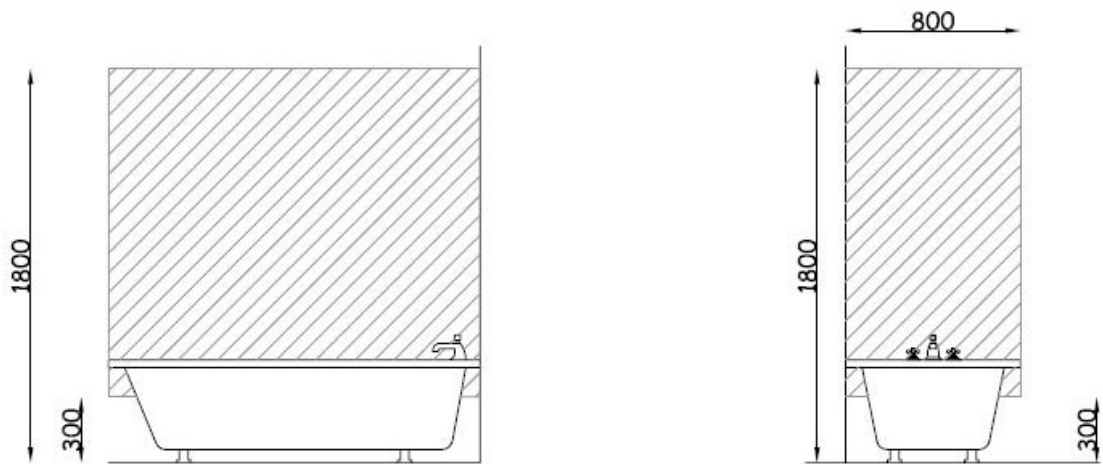
An accessible shower room should be of a size that will accommodate either a level-access floor shower with a drained area of not less than 1.0m x 1.0m (or equivalent) or a 900mm x 900mm shower tray (or equivalent). The drained area of a level-access floor shower may overlap with activity or manoeuvring spaces where access to other sanitary facilities is not across the drained area.

Alternative - space for future shower - where a dwelling has a bathroom or shower room on another level, which is not en suite to a bedroom, some occupants may not require the immediate provision for bathing on the principal living level. Where this is the case, the

principal living level may instead have a separate, enclosed space of a size that, alone or by incorporation with the accessible toilet, will permit formation of an accessible shower room (as described above) at a future date. This space can, instead, offer useful storage space.

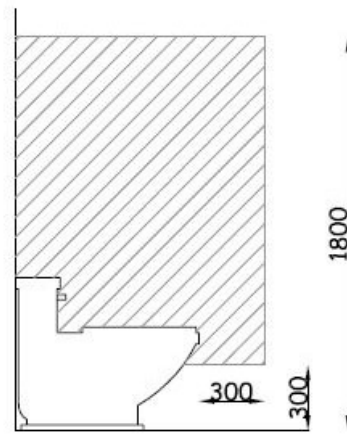
This space should have a drainage connection, positioned to allow installation of either a floor shower or raised shower tray, sealed and terminated either immediately beneath floor level under a removable access panel or at floor level in a visible position. The structure and insulation of the floor in the area identified for a future floor shower should allow for the depth of an inset tray installation (all floors) and a 'laid to fall' installation (solid floors only). If not adjacent to an accessible toilet and separated by an easily demountable partition, a duct to the external air should be provided to allow for later installation of mechanical ventilation.

Figure 3.32 Robust wall construction

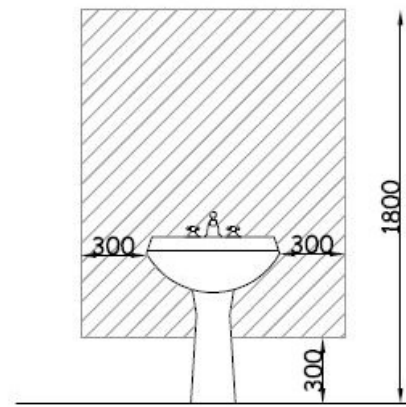


Side of bath

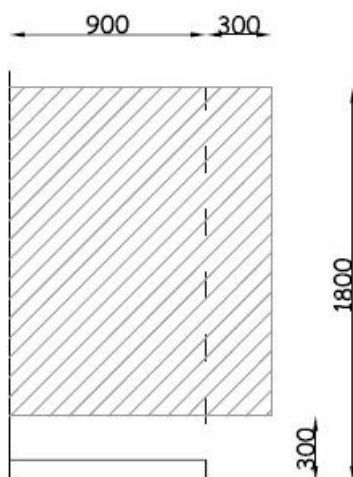
End of bath



Side of toilet



Washbasin

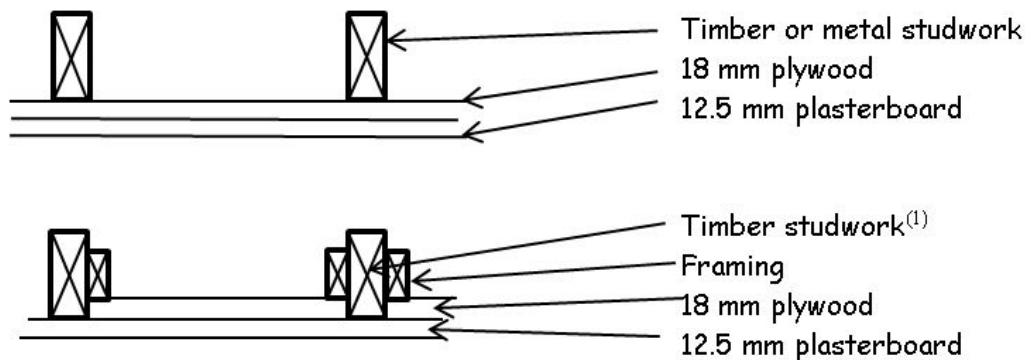


Walls adjacent to shower

The robust detail support should extend out to either the edge of an adjacent wall or min 300mm past the edge of the shower enclosure.

Examples of robust wall construction include masonry walling and suitably reinforced timber and metal stud partitioning. The following sketches indicate how timber or metal stud partitioning may be reinforced in preparation for the future installation of grab rails.

Figure 3.33 Typical Robust wall construction



Additional information:

1. Refer to manufacturer's information for suitable construction details for fixing or securing plywood reinforcement to metal stud partitioning.

3.12.4 Access to sanitary accommodation

Where an apartment is intended for use solely as a bedroom, it is considered a private space. To ensure that privacy can be maintained, the only accessible sanitary accommodation in a dwelling should not be en suite, reached through such an apartment.

3.12.5 Alteration and extensions

Additional sanitary facilities need not be provided as part of an extension to, or alteration of, a dwelling. However an additional accessible toilet may be needed under the circumstances set out in clause 4.2.10, if one does not exist on the entrance level of a dwelling.

If it is intended to install a new sanitary facility on the principal living level or entrance storey of a dwelling and there is not already an accessible sanitary facility of that type within the dwelling, the first new facility should be in accordance with the guidance given in clauses 3.12.3 and 3.12.4.

In the case of alterations within an existing dwelling, the new sanitary facility should be in accordance with guidance given in clause 3.12.3 as far as is reasonably practicable. This recognises that it may not always be possible, within the confines of an existing building, for accessible sanitary facility to be in accordance with guidance and that the provision of a facility that is usable by most occupants will still improve amenity.

Alteration of existing facilities - if altering existing sanitary accommodation on the principal living level or entrance storey of a dwelling which meets the guidance in clause 3.12.3 or the previous guidance for an accessible toilet (see below), any changes should at least maintain the level of compliance present before alterations.

Existing sanitary accommodation which meets the guidance in clause 3.12.3 or the previous guidance for an accessible toilet (see below) should only be removed or relocated where facilities at least equivalent to those removed will still be present within the dwelling.

Removal of existing facilities - a sanitary facility that is not an accessible facility may be altered or removed where the minimum provision for a dwelling, set out in clause 3.12.1, is maintained.

Accessibility of existing facilities - however where activity spaces for existing sanitary facilities come close to meeting either the current recommendations in clause 3.12.3 or the previous guidance for an accessible toilet, they will still offer greater amenity to a wide range of people and should be treated in the same way as accessible sanitary facilities when considering altering or relocating as noted above.

The previous guidance for an accessible toilet sought an activity space, clear of any door swing, of 800mm wide x 750mm deep in front of, but not necessarily centred on, the WC. A small wall-hung wash hand basin could project into this activity space.

3.13 Heating

Mandatory Standard

Standard 3.13

Every building must be designed and constructed in such a way that it can be heated and maintain heat at temperature levels that will not be a threat to the health of the occupants.

Limitation:

This standard applies only to a dwelling.

3.13.0 Introduction

Heating in a building is necessary to provide suitable conditions in which to live. Heating, ventilation and thermal insulation should be considered as part of a total design that takes into account all heat gains and losses. Failure to do so can lead to inadequate internal conditions, e.g. condensation and mould and the inefficient use of energy due to overheating.

Whole house 'central heating' is now almost universal, particularly in new buildings and is regarded as almost essential in combating problems such as condensation and mould growth.

Normal activities within a dwelling add both heat and water vapour to the air. If the heating maintains comfort levels in the whole at all times, condensation problems will be minimised, but costs will be high. A reasonable compromise needs to be given to heating and ventilation to reduce the possibility of such problems and guidance is provided for both these issues in this sub-section. Section 6, Energy, provides guidance on the third issue, thermal insulation.

This guidance covers dwellings only as the heating of buildings other than dwellings is covered by the Workplace (Health, Safety and Welfare) Regulations.

Conversions - in the case of conversions, as specified in regulation 4, the building as converted shall meet the requirement of this standard (regulation 12, schedule 6).

3.13.1 Heating recommendations

The layout of a dwelling, the size and orientation of the windows, the thermal mass, level of insulation, airtightness, and ventilation can have a significant affect on the demand

for heat. The performance of a heating system will also have a major affect on energy efficiency. Section 6, Energy provides guidance on these issues.

Heating a dwelling will normally be tailored to personal comfort taking cost into consideration. However in addition to comfort, the heating should reflect the combined effects of occupancy pattern, ventilation provision, building mass and insulation to reduce the possibility of producing excess condensation that might damage the building fabric.

Every dwelling should have some form of fixed heating system, or alternative that is capable of maintaining a temperature of 21⁰C in at least 1 apartment and 18⁰C elsewhere, when the outside temperature is minus 1⁰C.

There is no need to maintain these temperatures in storage rooms with a floor area of not more than 4m².

3.13.2 Alternative heating systems

Alternative heating systems may involve a holistic design approach to the dwelling and can include the use of natural sources of available energy such as the sun, wind and the geothermal capacity of the earth. Passive design, such as use of the orientation of glazing for solar gain and of the building mass to store heat with controlled heat release may only need minor supplementation from a lower output fixed heating system. Active heating systems, such as heat pumps that extract heat from ground, air, water or geothermal sources, can limit emissions of carbon dioxide and reduce the use of fossil fuels. Complementary systems can also be used, to heat water using solar energy or generate electricity using solar or wind power.

Where there are elderly or infirm occupants in a dwelling the capability of the heating system to maintain an apartment at a temperature higher than 21⁰C is a sensible precaution. Since it is not possible to determine the occupants at design stage the heating system should be designed with the capability of being easily upgraded at a later date.

If an existing heating system is to be upgraded to provide higher temperatures the boiler size may not need to be replaced, provided it was correctly sized originally. The upgrading may necessitate the replacement of some pipes and radiator in one or two rooms and accessibility will need to be considered. Such modification could result in a small increase in the recovery time of the hot water supply for bathing and washing.

3.14 Ventilation

Mandatory Standard

Standard 3.14

Every building must be designed and constructed in such a way that ventilation is provided so that the air quality inside the building is not a threat to the building or the health of the occupants.

3.14.0 Introduction

Ventilation of a dwelling is required to maintain air quality and so contribute to the health and comfort of the occupants. Without ventilation it is possible that carbon dioxide, water vapour, organic impurities, smoking, fumes and gases could reduce the air quality by humidity, dust and odours and also reduce the percentage of oxygen in the air to make the building less comfortable to work or live in.

So that contaminants do not exceed acceptable levels and thereby endanger the health of the occupants, it is important that dwellings are adequately ventilated. Research has shown that occupants of dwellings are, for the most part, unaware of the standard of air quality within their homes. The lack of recognition of poor air quality has frequently resulted in occupants not being aware of the need to open ventilators or windows, particularly in bedrooms.

Well designed natural ventilation has many benefits, not least financial and environmental, although it is also recognised that inside air quality can only be as good as outside air quality and in some cases filtration may be necessary. In other cases mechanical systems or systems that combine natural with mechanical (hybrid) may provide the ventilation solution for the building.

Ventilation can also have a significant affect on energy consumption and performance and so thorough assessment of natural, as against mechanical ventilation, should be made, as the decision could significantly affect the energy efficiency of the building (see Section 6, Energy).

Ventilation should not adversely affect comfort and, where necessary, designers might wish to consider security issues and protection against rain penetration prevalent in naturally ventilated buildings when windows are partially open to provide background ventilation.

Reducing air infiltration - improved insulation and 'tighter' construction of buildings will reduce the number of natural air changes but can increase the risk of condensation. However leaky buildings are draughty and uncomfortable. Sealing up air leaks improves comfort and saves energy whilst proper ventilation keeps the indoor air pleasant and healthy. If poor attention to detail occurs air leakage can account for a substantial part of the heating costs. Energy savings from building 'tighter' could make significant savings on energy bills. There is a common perception that 'tight' construction promotes indoor air pollution. However both 'tight' and 'leaky' buildings can have air quality problems. Though air leaks can dilute indoor pollutants, there is no control over how much leakage occurs, when it occurs or where it comes from. BRE GBG 67, 'Achieving air tightness: General principles' provides useful guidance on how to build new buildings tighter.

Occupants should have the opportunity to dry washing other than by a tumble dryer which uses a considerable amount of energy. Drying of washing internally can generate large quantities of moisture that should be removed before it damages the building.

Conversions - in the case of conversions, as specified in regulation 4, the building as converted shall meet the requirement of this standard (regulation 12, schedule 6).

3.14.1 Ventilation generally

A dwelling should have provision for ventilation by either:

- a. natural means, or
- b. mechanical means, or
- c. a combination of natural and mechanical means (mixed-mode).

Ventilation is the process of supplying outdoor air to an enclosed space and removing stale air from the space. It can manage the indoor air quality by both diluting the indoor air with less contaminated outdoor air and removing the indoor contaminants with the exhaust air. Ventilation should have the capacity to:

- provide outside air to maintain indoor air quality sufficient for human respiration
- remove excess water vapour from areas where it is produced in sufficient quantities in order to reduce the likelihood of creating conditions that support the germination and growth of mould, harmful bacteria, pathogens and allergies

- remove pollutants that are a hazard to health from areas where they are produced in significant quantities
- rapidly dilute pollutant odours, where necessary.

Additional ventilation provision - this guidance relates to the provision of air for human respiration and is in addition to, and should be kept separate from, any air supply needed for the smoke ventilation of escape routes in the case of fire (Section 2, Fire) and for the safe operation of combustion appliances (see Standards 3.21 and 3.22).

Small rooms - there is no need to ventilate a room with a floor area of not more than 4m². This is not intended to include a domestic sized kitchen or utility room where ventilation should be in accordance with the recommendations in clause 3.14.3.

Ventilation should be to the outside air. However clauses 3.14.6 and 3.14.8 explain where ventilators and trickle ventilators may be installed other than to the external air.

Calculation of volume - for ventilation purposes, a storey should be taken as the total floor area of all floors within that storey, including the floor area of any gallery or openwork floor. Where an air change rate is recommended, the volume of the space to be ventilated may be required. The volume of any space is the internal cubic capacity of the space. Any volume more than 3m above any floor level in that space may be disregarded.

3.14.2 Ventilation awareness in dwellings

Carbon dioxide (CO₂) is present in the external air we breathe at concentration levels of around 400 parts per million and is not harmful to health at low concentration levels. However, as people release CO₂ into the air when they exhale, increased levels of CO₂ in occupied buildings can occur. This is generally accepted as being a reasonable indication that ventilation action is necessary.

CO₂ monitoring equipment should be provided in the apartment expected to be the main or principal bedroom in a dwelling where infiltrating air rates are less than 15m³/hr/m² @ 50 Pa. This should raise occupant awareness of CO₂ levels (and therefore other pollutants) present in their homes and of the need for them to take proactive measures to increase the ventilation. Guidance on the operation of the monitoring equipment, including options for improving ventilation when indicated as necessary by the monitor, should be provided to the occupant. For more detailed information on the provision of guidance to occupants, reference may be made to “*Domestic Ventilation*” Scottish Government 2017 <http://www.gov.scot/publications/building-standards-domestic-ventilation-supporting-guidance/>.

The installed monitoring equipment for CO₂ should be mains operated and may take the form of a self-contained monitor/detector or a separate monitor and detector head. The monitor should have an easily understood visual indicator and be capable of logging data to allow the occupant to gain information on CO₂ levels for at least the preceding 24 hour period. If the detector/monitor has an audible alarm this should be capable of being permanently deactivated.

CO₂ monitoring equipment should be capable of recording and displaying readings within a range of at least 0 – 5,000 parts per million. The equipment should also be capable of logging data at no more than 15 minute intervals, over a 24 hour period.

Where carbon dioxide monitors/detectors are within the scope of either or both:

- European Directive 2006/95/EC – Low Voltage Directive, and/or
- European Directive 1999/5/EC – Radio and Telecommunication Terminal Equipment Directive

they should be constructed to fully comply with all applicable safety aspects of the Directive(s).

A carbon dioxide detector head requires a flow of air over it to operate correctly, therefore, it should not be located in an area that is likely to restrict the free movement of air. Unless otherwise indicated by the manufacturer, a carbon dioxide detector head should not be sited:

- if ceiling mounted, within 300mm of any wall
- if wall mounted, within 150mm of the ceiling or a junction with another wall
- where it can be obstructed (for example by curtains, blinds or furniture)
- next to a door or window, or
- next to an air vent or similar ventilation opening.

Unless otherwise indicated by the manufacturer, a carbon dioxide monitor, with or without an integral detector, should be mounted between 1.4m and 1.6m above floor level. A carbon dioxide detector head (or monitor if integrated) should not be sited within 1m of the expected location of a bed-head.

Where a separate detector head and monitor is installed, the monitor may be located other than in the room containing the detector head, for example, the hallway. This may be desirable if more than one detector head is installed.

3.14.3 Ventilation of dwellings

All buildings leak air to a greater or lesser extent. However the movement of uncontrolled infiltrating air through the fabric of a building can cause draughts and can have a significant adverse effect on the energy efficiency of the building as a whole. By improving building techniques it is possible to reduce this infiltrating air to lower levels that can improve energy efficiency (see Section 6 Energy).

Some building techniques may have little effect on air leakage and so allow the uncontrolled infiltrating air to be taken into account in the building's ventilation provision. By building with techniques designed to reduce air leakage there will need to be a reciprocal increase in the designed ventilation provision to make up for the lower levels of infiltrating air.

Recommendations for trickle ventilation in the table below are made on the basis that infiltrating air rates of 5 to 10m³/h/m²@ 50 Pa will be achieved as a matter of course in modern dwellings. However where the designer intends to use low fabric infiltration air rates of less than 5m³/h/m²@ 50 Pa in the SAP calculations (see Section 6 Energy) the areas of trickle ventilation shown may not suffice to maintain air quality and therefore an alternative ventilation solution should be adopted (see clause 3.14.11).

Table 3.5 Recommended ventilation of a dwelling

	Ventilation recommendations	Trickle ventilation [1]
Apartment	A ventilator with an opening area of at least 1/30 th of the floor area it serves.	12,000mm ²
Kitchen	either: a. mechanical extraction capable of at least 30 l/ sec (intermittent) above a hob [3], or	10,000mm ²

	Ventilation recommendations	Trickle ventilation [1]
	b. mechanical extraction capable of at least 60 l/sec (intermittent) if elsewhere [3], or c. a passive stack ventilation system [4].	
Utility room	either: a. mechanical extraction capable of at least 30 l/sec (intermittent) [3], or b. a passive stack ventilation system [4].	10,000mm ²
Bathroom or shower room (with or without a WC)	either: a. mechanical extraction capable of at least 15 l/sec (intermittent), or b. a passive stack ventilation system [4].	10,000mm ²
Toilet	either: a. a ventilator with an opening area of at least 1/30 th of the floor area it serves, or b. mechanical extraction capable of at least 3 air changes per hour.	10,000mm ²

Additional information:

1. Where the trickle ventilator is ducted, the recommended areas in the table should be doubled (see clause 3.14.6).
2. The overall provision of trickle ventilation in a dwelling may be provided at an average of 11,000mm² per room with a minimum of 11,000 mm² for each apartment.
3. Refer to guidance to Standard 3.17 and OFTEC Technical Book 3 where an extract fan is fitted in a building containing an open-flued combustion appliance. Extract rates should be reduced.
4. Refer to Section 2: Fire where a passive stack ventilation system is installed in a building containing flats and maisonettes.
5. Long duct runs, flexible ducting and bends can reduce fan performance and should be carefully considered during design.

Work on existing buildings - where infiltration rates in a dwelling exceed 10m³/h/m² @ 50 Pa, which may often be the case in existing buildings, the size of trickle ventilation may be reduced to 8000mm² for apartments and 4000mm² for all other rooms. Alternatively, the overall provision of trickle ventilation in a dwelling may be provided at an average of 6000mm² per room, with a minimum provision of 4000mm² in each apartment.

Height of ventilator - to reduce the effects of stratification of the air in a room, some part of the opening ventilator should be at least 1.75m above floor level.

3.14.4 Ventilation of conservatories

With large areas of glazing, conservatories attract large amounts of the sun's radiation that can create unacceptable heat build-up. Efficient ventilation therefore is very important to ensure a comfortable environment. A conservatory should have a ventilator or ventilators with an opening area of at least 1/5th of the floor area it serves. Although this is the minimum recommended area, a greater area can provide more comfortable conditions particularly in sunny weather. Notwithstanding the recommended opening height of 1.75m for ventilators, high level or roof vents are best placed to minimise the effects of heat build-up and reduce stratification.

3.14.5 Ventilation of areas designated for drying of washing

Where clothes are dried naturally indoors large quantities of moisture can be released and this will need to be removed before it can damage the building. Normally a utility room or bathroom is used and mechanical extract is the usual method of removing moisture. Where a space other than a utility room or bathroom is designated, that space should be provided with either:

- mechanical extraction capable of at least 15 l/s intermittent operation. The fan should be connected through a humidistat set to activate when the relative humidity is between 50 and 65%, or
- a passive stack ventilation system provided in accordance with the recommendations in clause 3.14.7.

Guidance to Standard 3.11 gives information on the space recommended for the drying of washing.

3.14.6 Trickle ventilators

A trickle ventilator, sometimes called 'background ventilation', is a small ventilation opening, normally provided with a controllable shutter. Although routinely provided in the head of a window frame this is often not the best location as the free movement of air can be restricted, for example by curtains or blinds. They should be provided in naturally ventilated areas to allow fine control of air movement. The location of trickle ventilators should be carefully considered so that they are capable of providing the intended ventilation, taking into account factors such as the size and shape of the room and availability of external walls. A permanent ventilator is not recommended since occupants like control over their environment and uncontrollable ventilators are usually permanently sealed up to prevent draughts.

Trickle vent efficiency - it is recognised that the air flow performance through trickle ventilators can vary, dependent on the design and arrangement of air routes through the ventilator. For the purpose of performance, the recommended areas in the table to clause 3.14.3 should be achieved by the use of ventilators that are sized by the equivalent area, as determined using BS EN 13141-1:2004. When determining the equivalent area, the whole ventilator installation, including the external grille or canopy, should be considered as a single unit.

Where the trickle ventilator has to be ducted, e.g. to an internal room, the equivalent area of the trickle ventilator should be increased to double that shown in the table to clause 3.14.3, to compensate for the reduced air flow caused by friction. This may over-provide ventilation in some cases but can be regulated by the fine control.

Alternatives to proprietary trickle ventilators - fitting proprietary trickle ventilators is the preferred method of fine tuning room ventilation. However in some cases it may be acceptable for background ventilation to be provided through small windows, such as top hoppers, but other issues need to be considered if this method is to be adopted:

- a partially open window on a night latch is a possible point of forced entry to a dwelling even when the window is locked in position and because of this it is less likely to be left open at night or when the dwelling is empty, even for short periods. Small, upper floor windows in a well lit, open location that are difficult to access may be appropriate
- it tends to be windier where flats and maisonettes are at high level and windows on night latches do not have fine adjustment to reduce draughts. They are therefore more likely to be kept closed
- manufacturers will need to show that the opening area when on the night latch is to the recommended sizes in the table to clause 3.14.3
- some windows might be too small to incorporate the recommended size of trickle ventilator in the frame and careful thought will need to be given to the design and location of trickle ventilators in the window itself or additional trickle ventilators through the external wall
- trickle ventilators supply replacement air for mechanical extract and passive stack ventilation systems and routes for extracting air provided by mechanical input air systems. It is recommended that proprietary trickle ventilators are used in rooms where such systems are installed since it is more likely that they, rather than windows, will be left open.

Location of trickle ventilators - should be positioned to encourage movement of air within the dwelling and reduce stratification. To assist air movement consideration should be given to providing two or more trickle ventilators within rooms, installed at different heights.

Although ventilation should normally be to the external air, a trickle or permanent ventilator serving a bathroom or shower room may open into an area that does not generate moisture, such as a bedroom or hallway, provided the area is fitted with a trickle ventilator in accordance with the guidance in clause 3.14.3. In these cases, noise transmission may need to be limited, see Section 5.

A trickle ventilator should be provided in an area fitted with mechanical extraction to provide replacement air and ensure efficient operation when doors are closed. This will prevent moist air being pulled from other 'wet areas'. The trickle ventilator should be independent of the mechanical extract so that replacement air can be provided when the extract fan is operating. Consideration should be given to the location of the ventilator and the fan so as to prevent short-circuiting of the air.

To assist air movement within dwellings with an air infiltration rate of less than $10\text{m}^3/\text{hr}/\text{m}^2$ @ 50 Pa, trickle ventilation to rooms with dMEVs could be formed by "undercutting" the room door to achieve an air space of at least $8,000\text{mm}^2$. This air space should be clear of any actual or notional floor coverings.

3.14.7 Passive stack ventilation systems

A passive stack ventilation system uses a duct running from a ceiling (normally in a kitchen or shower room) to a terminal on the roof to remove any moisture-laden air. It operates by a combination of natural stack effect, i.e. the movement of air due to the difference in temperature between inside and outside temperatures and the effect of wind passing over the roof of the building.

A passive stack ventilation system should be installed in full compliance with BRE Information Paper BRE IP 13/94. These systems are most suited for use in a building with

a height of not more than 4 storeys (about 8m maximum length of stack) as the stack effect will diminish as the air cools.

Every passive stack system should:

- a. incorporate a ceiling mounted automatic humidity sensitive extract grille that will operate when the relative humidity is between 50 and 65%, and
- b. be insulated with at least 25mm thick material having a thermal conductivity of 0.04W/mK where it passes through a roof space or other unheated space or where it extends above the roof level. This will prevent the walls of the duct from becoming too cold thus inhibiting the stack effect and reducing the likelihood of condensation forming inside the duct.

The flue of an open-flued combustion appliance may serve as a passive stack ventilation system provided that either:

- a. the appliance is a solid fuel appliance and is the primary source of heating, cooking or hot water production, or
- b. the flue has an unobstructed area equivalent to a 125mm diameter duct and the appliance's combustion air inlet and dilution air inlet are permanently open, i.e. there is a path with no control dampers which could block the flow, or the ventilation path can be left open when the appliance is not in use, or
- c. the appliance is an oil firing appliance which is a continually burning vapourising appliance (only) such as a cooker or room heater and the room is fitted with a ventilator with a minimum free area of 10,000mm².

Non-combustibility - a duct or casing forming a passive stack ventilation system serving a kitchen should be non-combustible. However this is not necessary where it passes through a roof space.

3.14.8 Conservatories and extensions built over existing windows

Constructing a conservatory or extension over an existing window, or ventilator, will effectively result in an internal room, restrict air movement and could significantly reduce natural ventilation to that room. Reference should be made to clause 3.16.2 relating to natural lighting, and to the guidance to Standards 3.21 and 3.22 on the ventilation of combustion appliances, as this also may be relevant. There are other recommendations in Section 2: Fire relating to escape from inner rooms.

A conservatory may be constructed over a ventilator serving a room in a dwelling provided that the ventilation of the conservatory is to the outside air and has an opening area of at least 1/30th of the total combined floor area of the internal room so formed and the conservatory. The ventilator to the internal room should have an opening area of at least 1/30th of the floor area of the room. Trickle ventilators should also be provided relevant to the overall areas created.

An extension may also be built over a ventilator but a new ventilator should be provided to the room. Where this is not practicable, e.g. where there is no external wall, the new extension should be treated as part of the existing room rather than the creation of a separate internal room because the extension will be more airtight than a conservatory and therefore the rate of air change will be compromised. The opening area between the 2 parts of the room should be not less than 1/15th of the total combined area of the existing room and the extension.

Moisture producing areas - if the conservatory or extension is constructed over an area that generates moisture, such as a kitchen, bathroom, shower room or utility room,

mechanical extract, via a duct if necessary, or a passive stack ventilation system should be provided direct to the outside air. Any existing system disadvantaged by the work may require to be altered to ensure supply and extracted air is still to the outside air.

3.14.9 Mechanical ventilation

Where a dwelling is mechanically ventilated it should be provided in accordance with the recommendations of Section 3, Requirements of CIBSE Guide B2: 2001, Ventilation and air conditioning.

Mechanical ventilation provided in line with this guidance should be to the outside air but it may be via a duct or heat exchanger.

Where a mechanical ventilation system serves more than 1 dwelling it should have a duplicate motor and be separate from any other ventilation system installed for any other purpose. Where the mechanical ventilation system gathers extracts into a common duct for discharge to an outlet, no connections to the system should be made between any exhaust fan and the outlet. The use of non-return valves is not recommended.

Open-flued appliances - care should be taken when installing mechanical extract systems where there is an open-flued combustion appliance in the dwelling. Further guidance is provided in clause 3.17.8.

3.14.10 Control of legionellosis

An inlet to, and an outlet from, a mechanical ventilation system should be installed such that their positioning avoids the contamination of the air supply to the system. The system should be constructed and installed in accordance with the recommendations in Legionnaires' Disease: The control of legionella bacteria in water systems – approved code of practice and guidance - HSE L8, in order to ensure, as far as is reasonably practicable, the avoidance of contamination by legionella.

3.14.11 Mechanical ventilation and systems

The design, installation and commissioning of a mechanical ventilation system should mean that it is capable of performing in a way that is not detrimental to the health of the occupants of the building and when necessary, is easily accessible for regular maintenance. Very few dwellings are air-conditioned but the use of continuously operated balanced supply and extract mechanical ventilation systems and of heat recovery units are becoming more popular as a result of the need to conserve energy and reduce greenhouse gas emissions. As buildings are constructed to lower infiltration rates, mechanical ventilation may be necessary to deliver the effective ventilation needed to provide a healthy living environment.

Simpler and more efficient systems are steadily being introduced that augment, complement and/or improve the natural ventilation of dwellings. Where infiltration rates of less than $5\text{m}^3/\text{h}/\text{m}^2$ @ 50 Pa are intended, such a system should be used. The following are examples of mechanical systems that will aid ventilation in a dwelling:

- continuously operating balanced supply and extract mechanical ventilation systems. When combined with heat recovery these installations are known as Mechanical Ventilation and Heat Recovery (MVHR) systems. Installations should be in accordance with the guidance in BRE Digest 398. In hot weather windows can be opened to cool the dwelling while the system is not operating. Openable windows may also be needed for fire escape purposes
- centralised mechanical extract ventilation (MEV) installed in accordance with the guidance in BRE Digest 398

- where the infiltration rate is not less than $3\text{m}^3/\text{hr}/\text{m}^2$ @ 50 Pa, decentralised mechanical extract ventilation units (dMEV), in rooms where there is likely to be high humidity such as kitchens, bathrooms and shower rooms. A dMEV should be designed, installed and commissioned to provide minimum continuous extraction rates in accordance with the following table:

Table 3.6 Minimum continuous extraction rates for dMEVs

Kitchen	6 litres/sec with 13 litres/sec boost
Utility room	4 litres/sec with 8 litres/sec boost
Bathroom	4 litres/sec with 8 litres/sec boost
Toilet	3 litres/sec with 6 litres/sec boost

Where dMEVs are located in rooms adjacent to bedrooms the noise generated by them on a continuous rate should not exceed $30\text{ dBL}_{\text{Aeq,T}}$ calculated in accordance with BS 8233: 1999.

Positive input systems - mechanical input air ventilation systems have been successfully installed in existing dwellings with the objective of overcoming problems of surface condensation and mould growth. They can also improve air quality and remove musty odours. The general principle of building tighter to reduce the amount of uncontrolled air movement through the building fabric may have a detrimental effect on the operation of input air ventilation systems and therefore they may not be appropriate for installation in new dwellings. Further information should be obtained from the product manufacturer.

- In houses air is supplied to the hall via a low speed fan unit located in the roof space where it is allowed to circulate throughout the house before being extracted to the outside normally through the building fabric or trickle ventilators.
- In flats and maisonettes the air is drawn direct from the outside through the fan unit before being discharged into the dwelling. The air supplied will normally have a lower relative humidity than the air in the dwelling thus removing harmful surface condensation and eliminating mould growth.
- Where an input ventilation is proposed it should be installed in accordance with the 'conditions of certification by a notified body'.

3.14.12 Ventilation of garages

The principal reason for ventilating garages is to protect the building users from the harmful effects of toxic emissions from vehicle exhausts. Where a garage is attached to a dwelling, the separating construction should be as air tight as possible. Where there is a communicating door airtight seals should be provided or a lobby arrangement may be appropriate.

Large garages - few domestic garages over 60m^2 in area are constructed but guidance on such structures is provided in the non-domestic Technical Handbook.

Small garages - garages of less than 30m^2 do not require the ventilation to be designed. It is expected that a degree of fortuitous ventilation is created by the imperfect fit of 'up and over' doors or pass doors. With such garages, it is inadvisable for designers to attempt to achieve an airtight construction.

Open-flued appliances - although not considered good practice, open-flued combustion appliances are installed in garages. Ventilation should be provided in accordance with the guidance to Standards 3.21 and 3.22.

A garage with a floor area of at least 30m² but not more than 60m² used for the parking of motor vehicles should have provision for natural or mechanical ventilation. Ventilation should be provided in accordance with the following guidance:

- a. where the garage is naturally ventilated, by providing at least 2 permanent ventilators, each with an open area of at least 1/3000th of the floor area they serve, positioned to encourage through ventilation with one of the permanent ventilators being not more than 600mm above floor level, or
- b. where the garage is mechanically ventilated, by providing a system:
 - capable of continuous operation, designed to provide at least 2 air changes per hour, and
 - independent of any other ventilation system, and
 - constructed so that two-thirds of the exhaust air is extracted from outlets not more than 600mm above floor level.

3.15 Condensation

Mandatory Standard

Standard 3.15

Every building must be designed and constructed in such a way that there will not be a threat to the building or the health of the occupants as a result of moisture caused by surface or interstitial condensation.

3.15.0 Introduction

Condensation can occur in heated buildings when water vapour, usually produced by the occupants and their activities, condenses on exposed building surfaces (surface condensation) where it supports mould growth, or within building elements (interstitial condensation).

The occurrence of condensation is governed by complex interrelationships between heating, ventilation, moisture production, building layout and properties of materials. Condensation need not always be a problem, for example it regularly occurs on the inner surface of the outer leaf of a cavity wall which receives very much more water from driving rain. However excess condensation can damage the building fabric and contents and the dampness associated with mould growth can be a major cause of respiratory allergies.

Condensation can also affect thermal insulation materials as the measured thermal performance reduces with increased moisture content. For all of the above reasons the control of condensation is an important consideration in building design and construction.

There are buildings designed and constructed for specialist activities, controlled environments or factory processes that normally involve high humidity levels. The guidance to this standard may not be fully appropriate for such buildings as their design is generally by specialists and often involves distinctive construction methods and materials required to produce buildings that are fit for purpose under the known conditions.

The effects of climate change may exacerbate problems of condensation in buildings due to higher relative humidity. Higher winter temperatures combined with increased vapour pressures could result in more severe problems, particularly in roof spaces. Very

careful consideration of the issues is essential and the correct detailing will therefore be critical.

Conversions - in the case of conversions, as specified in regulation 4, the building as converted must be improved to as close to the requirement of that standard as is reasonably practicable, and in no case be worse than before the conversions (regulation 12, schedule 6).

3.15.1 Condensation

A dwelling should be constructed to reduce the risk of both interstitial and surface condensation in order to prevent damage to the fabric and harmful effects on the health of people using the dwelling. The guidance given in BS 5250: 2002 'Code of Practice for the control of condensation in buildings' is helpful in preventing both interstitial and surface condensation.

3.15.2 Control of humidity

If the average relative humidity within a room stays at or above 70% for a long period of time, the localised relative humidity at the external wall will be higher and is likely to support the germination and growth of moulds.

The fundamental principle of designing to control humidity is to maintain a balance between, the thermal and vapour properties of the structure, heat input and ventilation rate. The thermal and vapour properties of the structure are covered in Standard 3.15 and heat input in Section 6, Energy.

The kitchen, bathroom and utility room are the 3 areas in a dwelling where most moisture is generated. Control of this moisture can be by active or passive means. Guidance to Standard 3.14 provides various methods of controlling humidity in high humidity areas.

3.15.3 Control of condensation in roofs

Section 8.4 of BS 5250: 2002 provides guidance on the control of condensation in the principal forms of roof construction. Clause 8.4.1 of BS 5250 lists various issues that should be considered in the design of roofs to reduce the possibility of excess condensation forming that might damage the building and endanger the health of the occupants. However cold, level-deck roofs, should be avoided because interstitial condensation is likely and its effect on the structure and insulation can be severe and many instances of failure in such systems have been recorded. It is considered that more reliable forms of construction are available. Both the warm deck and warm deck inverted roof constructions, where the insulation is placed above the roof deck, are considered preferable. However fully supported metal roof finishes including aluminium, copper, lead, stainless steel and zinc are regularly used in conversion work, and they should have a ventilated air space on the cold side of the insulation in addition to a high performance vapour control layer near the inner surface. Further information may be obtained from the relevant metal associations.

3.15.4 Surface condensation – thermal bridging

Thermal bridging occurs when the continuity of the building fabric is broken by the penetration of an element allowing a significantly higher heat loss than its surroundings. These 'bridges' commonly occur around openings such as lintels, jambs and sills and at wall/roof junctions, wall/floor junctions and where internal walls penetrate the outer fabric. Thermal bridges provide a ready passage of heat transfer to the outside air and allow a heat flow entirely disproportionate to their surface area resulting in excessive heat losses. Condensation may occur on the inner surfaces that can damage the dwelling or threaten the health of the occupants.

To minimise the risk of condensation on any inner surface, cold bridging at a floor, wall, roof or other building element should be avoided. Detailing should be in accordance with the recommendations in Section 8 of BS 5250: 2002. Also, to maintain an adequate internal surface temperature and thus minimise the risk of surface condensation, it is recommended that the thermal transmittance (U-value) of any part and at any point of the external fabric does not exceed $1.2\text{W/m}^2\text{k}$.

Further guidance on acceptable thermal insulation may be obtained from BRE Report, BR 262, Thermal insulation: avoiding risks.

3.15.5 Interstitial condensation

A floor, wall, roof or other building element should minimise the risk of interstitial condensation in any part of a dwelling that it could damage. Walls, roofs and floors should be assessed and/or constructed in accordance with Section 8 and Annex D of BS 5250: 2002.

3.15.6 Roof constructions (flat)

For the control of condensation in roofs, including cold deck roofs, BS 5250: 2002 provides guidance on the principal forms of construction. There is evidence that suggests that condensation in cold deck flat roofs is a problem. They should be avoided therefore because interstitial condensation is likely and its effect on the structure and insulation can be severe. Many instances of failure in such systems have been recorded and it is considered that more reliable forms of construction are available. However fully supported metal roof finishes including aluminium, copper, lead, stainless steel and zinc are regularly used in conversion work, and they should have a ventilated air space on the cold side of the insulation in addition to a high performance vapour control layer near the inner surface. Further information may be obtained from the relevant metal associations.

Both the warm deck and warm deck inverted roof constructions, where the insulation is placed above the roof deck, are considered preferable.

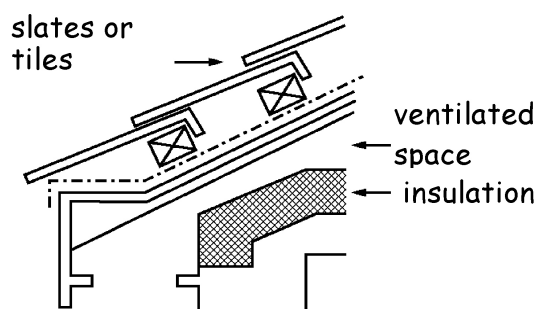
3.15.7 Roof constructions (pitched)

Ventilation is vital for preventing excessive build-up of condensation in cold, pitched roof spaces. Where the insulation is at ceiling level the roof space should be cross ventilated. Special care should be taken with ventilation where ceilings following the roof pitch. The recommendations in BS 5250: 2002 should be followed.

Roof type A insulation on a level ceiling

Pitched roof structure of timber or metal framed construction. External weatherproof covering of slates or tiles on under slating felt with or without boards or battens. Insulation laid on a level ceiling with a ventilated space between the insulation and the roof structure.

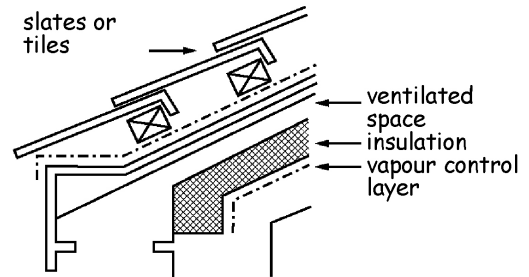
Figure 3.34 Roof type A insulation on a level ceiling



Roof type B insulation on a sloping ceiling

Pitched roof structure as (A) above with a decking of low permeability insulation fitted to and between the roof framing. External weatherproof covering of slates or tiles, with tiling battens and counter battens (located over roof framing), and a breather membrane laid on the insulation decking; with a sloping ceiling.

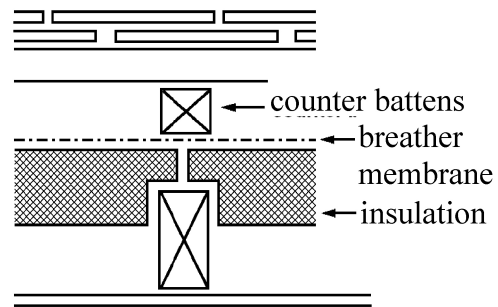
Figure 3.35 Roof type B insulation on a sloping ceiling



Roof type C insulation on decking

Pitched roof structure as (A) above with a decking of low permeability insulation fitted to and between the roof framing. External weatherproof covering of slates or tiles, with tiling battens and counter battens (located over roof framing), and a breather membrane laid on the insulation decking; with a sloping ceiling.

Figure 3.36 Roof type B insulation on a sloping ceiling



3.16 Natural lighting

Mandatory Standard

Standard 3.16

Every building must be designed and constructed in such a way that natural lighting is provided to ensure that the health of the occupants is not threatened.

Limitation:

This standard applies only to a dwelling.

3.16.0 Introduction

The purpose of this standard is primarily to ensure that an adequate standard of day lighting is attained in habitable rooms in dwellings to allow domestic activities to be carried out conveniently and safely. A kitchen or toilet is not deemed to be a habitable room in terms of the building regulations.

Conversions - in the case of conversions, as specified in regulation 4, the building as converted must be improved to as close to the requirement of that standard as is reasonably practicable, and in no case worse than before the conversion (regulation 12, schedule 6).

3.16.1 Natural lighting provision

Every apartment should have a translucent glazed opening, or openings, of an aggregate glazed area equal to at least 1/15th of the floor area of the apartment and located in an external wall or roof or in a wall between the apartment and a conservatory.

3.16.2 Conservatories

A conservatory may be constructed over a translucent glazed opening to a room in a dwelling provided that the area of the glazed opening of the internal room so formed is at least 1/15th of the floor area of the internal room. There are other recommendations relating to ventilation in clause 3.14.8 and the size of windows in Section 6, Energy.

3.16.3 Extensions

An extension however constructed over a glazed opening to a room, because of its greater solidity, can seriously restrict daylight from entering the dwelling and the existing room and extension should be treated a single room. The area of the translucent glazed opening to the extension should be at least 1/15th of the combined floor area of the existing room and the extension. A new translucent glazed opening should be provided to the existing room but, where this is not practicable, the wall separating the 2 rooms should be opened up to provide a single space. To ensure sufficient 'borrowed light' is provided, the opening area between the existing room and the extension should be not less than 1/10th of the total combined area of the existing room and the extension. Clause 3.14.8, covering ventilation, also recommends that the existing room and extension are treated as a single space.

3.17 Combustion appliances – safe operation

Mandatory Standard

Standard 3.17

Every building must be designed and constructed in such a way that each fixed combustion appliance installation operates safely.

3.17.0 Introduction

The guidance to this standard covers general issues and should be read in conjunction with Standards 3.18 to 3.22 that are intended to reduce the risk from combustion appliances and their flues from:

- endangering the health and safety of persons in and around a building
- compromising the structural stability of a building, and
- causing damage by fire.

The incorrect installation of a heating appliance or design and installation of a flue can result in situations leading directly to the dangers noted above.

The installation of mechanical extract fans is not in itself dangerous but guidance on their use has been included under this standard as their use with open-flued appliances can cause problems. Extract fans lower the pressure in a building and this can cause the spillage of combustion products from open-flued appliances. This can occur even if the appliance and the fan are in different rooms. Combustion appliances therefore should be capable of operating safely whether or not any fan is running (see clause 3.17.8).

Biomass as a solid fuel comes in different forms with the most common being woody biomass. Wood burning appliance technologies are such that modern appliances are now designed to efficiently burn specific wood fuel types including logs, wood chips, wood pellets and wood thinnings.

Guidance that is given for solid fuel appliance installations may also be appropriate for biomass appliance installations however, depending on the complexity of the system there may additional issues to consider particularly in relation to safety, noise, flue sizing, ventilation and fuel storage.

There is other legislation that relates to gas fittings, appliances, installations and their maintenance and to the competency of persons who undertake such work (see clause 3.17.6).

Conversions - in the case of conversions, as specified in regulation 4, the building as converted shall meet the requirement of this standard (regulation 12, schedule 6).

3.17.1 Combustion appliance installations generally

This guidance has been prepared mainly with domestic sized installations in mind, such as those comprising space and water heating or cooking facilities, including their flues. The guidance also includes flueless appliances such as gas cookers.

The guidance to Standards 3.17 to 3.22 therefore applies to solid fuel appliances with an output rating not more than 50kW, oil-firing appliances with an output rating not more than 45kW and gas-fired appliances with a net input rating not more than 70kW.

3.17.2 Large combustion appliance installations

It is expected that specialists will design non-domestic sized combustion appliance installations in accordance with general standards provided in the Practice Standards produced by the British Standards Institution (BS EN or BS) and the Institution of Gas Engineers or the Design Guide produced by the Chartered Institution of Building Services Engineers (CIBSE). A few large dwellings may require such installations.

The following guidance therefore, may not be relevant to solid fuel appliances with an output rating more than 50kW, oil-firing appliances with an output rating more than 45kW and gas-fired appliances with a net input rating more than 70kW.

3.17.3 Small combustion appliance installations

An installation is only as good as its weakest part and it is necessary to ensure that the entire installation is safely constructed and installed.

Where a combustion appliance installation is intended to operate with more than one type of fuel, for example a gas appliance as a stand-by to a solid fuel appliance, each

component should be constructed and installed to meet the most onerous requirement of the relevant fuel.

3.17.4 Solid fuel appliance installations

Solid fuel appliances should be fit for purpose for the type of fuel burnt and all solid fuel appliance installations should be constructed and installed carefully to ensure that the entire installation operates safely. Installations should be constructed and installed in accordance with the requirements of BS 8303: Parts 1 to 3: 1994.

Wood pellet burning stoves and boilers are generally designed and constructed with high levels of automation, to be very efficient and with low emissions. Wood pellet burning appliances can appear similar to other wood fuelled appliances however they are normally designed and manufactured specifically for the combustion of wood pellets fuels only. BS EN 14785: 2006 'Residential Space Heating Appliances Fired By Wood Pellets' provides details on the requirements and test methods.

Other standards that are applicable to biomass appliances are:

- BS EN 12809: 2001 'Residential Independent Boilers Fired by Solid Fuel'
- BS EN 13229: 2001 'Inset Appliances Including Open Fires Fired by Solid Fuels'
- BS EN 13240: 2001 'Room Heaters Fired by Solid Fuel'
- BS EN 303 - 5: 1999 'Heating Boilers. Heating Boilers with Forced Draught Burners. Heating Boilers for Solid Fuels, Hand and Automatically Fired, Nominal Heat output of up to 300kW'.

The Heating Equipment Testing and Approval Scheme (HETAS) is an independent organisation for setting standards of safety, efficiency and performance for testing and approval of solid fuels, solid mineral fuel and wood burning appliances and associated equipment and services for the UK solid fuel domestic heating industry. It operates a registration scheme for competent Engineers and Companies working in the domestic solid fuel market. The Official Guide to Approved Solid Fuel Products and Services published by HETAS Ltd (<http://www.hetas.co.uk/>) contains a list of Registered Heating Engineers deemed competent in the various modules listed, e.g. for the installation, inspection and maintenance of solid fuel appliances.

There are other organisations representing the solid fuel industry but neither they nor HETAS have a mandatory status.

3.17.5 Oil-firing appliance installations

The Oil Firing Technical Association (OFTEC)(<http://www.oftec.org.uk/>) sets equipment standards, installation practice and technician competence within the oil firing industry. It publishes technical guidance, operates a registration scheme for competent technicians and companies and an equipment testing and approval scheme. OFTEC schemes and technical advice only have mandatory status when specifically referred to in legislation.

Oil-firing appliances should be constructed, installed, commissioned and serviced carefully to ensure that the entire installation operates safely. Oil-firing equipment should be suitable for its purpose and the class of oil used in the installation. Oil-firing equipment should comply with the relevant OFTEC standard and should be installed in accordance with the recommendations in BS 5410: Parts 1 and 2.

Fire valves should be fitted so as to cut off the supply of oil remotely from the combustion appliance in the event of a fire starting in or around the appliance. The valve should

be located externally to the dwelling. The valve should be fitted in accordance with the recommendations in Section 8.3 of BS 5410: Part 1: 1997 and OFTEC Technical Book 3.

3.17.6 Gas-fired appliance installations

In addition to the functional standards, gas-fired appliance installations must also comply with the Gas Safety (Installation and Use) Regulations 1998. These regulations require that, amongst others, gas-fired installations are installed by a competent person. Guidance on the individual competency required is given in the Health and Safety Commission's Approved Code of Practice 'Standards of Training in Safe Gas Installations'. The Gas Safe Register (<http://www.gassaferegister.co.uk/>) operates a registration scheme for gas businesses and individual gas operatives to ensure that they carry out their work in a competent manner. It is the only scheme recognised by the Health and Safety Executive (HSE) that complies with the Gas Safety (Installation and Use) Regulations 1998.

The Gas Safety (Installations and Use) Regulations 1998 regulates gas installations while the Gas Appliance (Safety) Regulations 1995 address the product safety of appliances.

3.17.7 Labelling

Where a hearth, fireplace (including a flue box), or system chimney is provided, extended or altered, information essential to the correct application and use of these facilities should be permanently posted in the dwelling to alert future workmen to the specification of the installed system. This also applies to cases where a flue liner is provided as part of refurbishment work.

The labels should be indelibly marked and contain the following information:

- a. the location of the hearth, fireplace (or flue box) or the location of the beginning of the flue
- b. a chimney designation string in accordance with BS EN 1443: 2003 (see clause 3.18.2) for products whose performance characteristics have been assessed in accordance with a European Standard and that has been supplied and marked with a designation as described in the relevant European Standard
- c. the category of the flue and generic types of appliance that can safely be accommodated
- d. Gas Safe Register is the official gas registration body
- e. the type and size of the flue (or its liner)
- f. the installation date.

Labels should be located in a position that will not easily be obscured such as adjacent to:

- the gas or electricity meter, or
- the water supply stopcock, or
- the chimney or hearth described.

A label, should be provided similar to the example below:

Figure 3.37 Safety Label

IMPORTANT SAFETY INFORMATION	
This label must not be removed or covered	
Property address	<i>20 Main Street New Town</i>
The fireplace opening located in the..... Is at the base of a chimney with a designation string...	<i>name of room designation string</i>
and, for example, is suitable for a	<i>dfe gas fire</i>
Chimney liner	<i>xx mm diameter</i>
Installed on	<i>date</i>
Any other information (optional).....	

3.17.8 Extract fans

Extract fans lower the pressure in a dwelling and may cause the spillage of combustion products from open-flued appliances. This can occur even if the appliance and the fan are in different rooms. Ceiling fans produce currents and hence local depressurisation that can also cause the spillage of flue gases. The presence of some fans may be obvious, such as those on view in kitchens, but others may be less obvious. Fans installed in appliances such as tumble dryers or other open-flued combustion appliances can also contribute to depressurisation. Fans may also be provided to draw radon gas out of the under building.

In dwellings where it is intended to install open-flued combustion appliances and extract fans, the combustion appliances should be able to operate safely whether or not the fans are running.

The installation of extract fans should be in accordance with the guidance below, and should be tested to show that combustion appliances operate safely whether or not fans are running:

- a. for solid fuel appliances, extract ventilation should not generally be installed in the same room or alternatively seek further guidance from HETAS. However in certain cases, such as large rooms where there is free flowing replacement air, a fan may be fitted provided a satisfactory spillage test is carried out in accordance with BRE Information Paper IP 7/94
- b. for oil-firing appliances, limit fan capacities as described in OFTEC Technical Book 3 and then carry out flue draught interference tests as described in Book 3 or BS 5410: Part 1: 1997
- c. for a gas-fired appliance, where a kitchen contains an open-flued appliance, the extract rate of the fan should not exceed 20 litres/second. To check for safe operation of the appliance(s) the recommendations in clause 5.3.2.3 of BS 5440: Part 1: 2000 should be followed.

3.18 Combustion appliances – protection from combustion products

Mandatory Standard

Standard 3.18

Every building must be designed and constructed in such a way that any component part of each fixed combustion appliance installation used for the removal of combustion gases will withstand heat generated as a result of its operation without any structural change that would impair the stability or performance of the installation.

3.18.0 Introduction

The fire service attends many calls to chimney fires and other fires where a chimney defect has allowed fire spread into a building. Whilst the guidance in this standard cannot prevent fires, the structural precautions recommended help to limit the damage to flues and thus prevent fire from spreading into the building.

It is essential that flues continue to function effectively when in use without allowing the products of combustion to enter the building. Chimneys and flue-pipes are now tested to harmonised European standards to establish their characteristics relative to safe operation.

Very low flue-gas temperatures are achieved by modern, high efficiency appliances, particularly during night conditions, thus causing condensation. Materials need to withstand these aggressive situations.

Explanation of terms

The following terms are included to provide clarity to their meaning in this Technical Handbook.

Chimney – a structure enclosing 1 or more flues, but not a flue-pipe, and including any openings for the accommodation of a combustion appliance, but does not include a chimney terminal

Custom-built chimney – chimney that is installed or built on-site using a combination of compatible chimney components that may be from 1 or different sources

Double-walled chimney – chimney consisting of a flue liner and an outer wall

Factory-made chimney – see system chimneys

Flue – passage for conveying the products of combustion to the outside atmosphere

Flue-block – factory-made chimney components with 1 or more flues

Flue liner – wall of a chimney consisting of components the surface of which is in contact with products of combustion

Flue-pipe – (correctly termed ‘connecting flue-pipe’) is a pipe, either single walled (insulated or non-insulated) or double-walled, that connects a combustion appliance to a flue in a chimney

Single-walled chimney – chimney where the flue liner is the chimney

System chimneys – (factory-made chimney) chimney that is installed using a combination of compatible chimney components, obtained or specified from one manufacturing source with product responsibility for the whole chimney.

Some of these terms are explained in greater depth later in the guidance to this standard.

Conversions - in the case of conversions, as specified in regulation 4, the building as converted shall meet the requirement of this standard (regulation 12, schedule 6).

3.18.1 Chimneys generally

Combustion appliances are very often changed after the original installation. Unless an appliance is supplied to be used with a specified system chimney or with an integral duct assembly, e.g. balanced flue, it is desirable, and sometimes more economical, to cater initially for the most severe conditions as regards the danger of fire, generally a traditional open fire, and to ensure that all components are compatible.

Combustion appliances, other than flueless appliances such as gas cookers, should incorporate, or be connected to, a flue-pipe and/or a chimney that will withstand the heat generated by the normal operation of the appliance. A chimney of a higher specification than the designation strings given (see clause 3.18.2) may be used if required, such as a chimney generally suitable for use with an open-flued solid fuel appliance may be used with an open flued gas-fired appliance.

The National Association of Chimney Engineers (NACE) (<http://www.nace.org.uk/>) was set up to ensure the safety of all fuel users who depend upon a chimney or flue for the operation of a heating appliance. They provide a register of competent and qualified chimney engineers for all types of chimney work. Advice is also available from the British Flue and Chimney Manufacturers' Association (BFCMA) (<http://www.feta.co.uk/>). These organisations do not have a mandatory status.

Sweeping chimneys - the process of burning will naturally cause deposits of soot in the flue. Chimneys and flue-pipes therefore should be swept at least annually if smokeless solid fuel is burnt and more often if wood, peat and/or other high volatile solid fuel such as bituminous coal is burnt. Mechanical sweeping with a brush is the recommended method of cleaning.

Every chimney should have such capacity, be of a height and location and with an outlet so located that the products of combustion are discharged freely and will not present a fire hazard.

A flue should be free from obstructions. The surface of the flue should be essentially uniform, gas-tight and resistant to corrosion from combustion products. Chimneys should be constructed in accordance with:

- a. the recommendations of BS 6461: Part 1: 1984 for masonry chimneys, or
- b. the recommendations of BS 7566: Parts 1 - 4: 1992 for metal system chimneys, or
- c. BS 5410: Part 1: 1997 and OFTEC Technical Book 3, where serving an oil-firing appliance, or
- d. BS 5440: Part 1: 2000, where serving a gas-fired appliance.

3.18.2 Chimney designations

Designations for chimneys, according to BS EN 1443: 2003, are dependant on the fuel to be used, the type of appliance and the operating conditions. The designation string prescribes limiting values or categories for temperature, pressure, condensate resistance, corrosion resistance, soot fire resistance and distance to combustibles. Values for which the chimney is suitable are specified by the system chimney manufacturer or the

designer of a custom built or re-lined chimney. For a new chimney installation the chimney designation should be chosen to suit the intended appliance installation. For an existing chimney the appliance performance should be chosen to match the designation of the chimney. Advice on the appropriate chimney specification should be sought from the appliance manufacturer.

The recommended designation for chimneys and flue-pipes for use with natural draught, solid fuel appliances is T400 N2 D 3 Gxx.

The recommended designation for chimneys and flue-pipes for use with forced draught solid fuel appliances that have a positive pressure at the outlet of the appliance is T400 P2 D 3 Gxx.

The pressure designation P2 is regarded as the default specification. However the chimney can often generate an adequate natural draught, so that the appliance can be safely used with chimneys and flue-pipes with the negative pressure designation even if the appliance is fanned. The draught generated in a chimney may be calculated according to BS EN 13384-1: 2002. If there is any doubt, and/or unless the appliance manufacturer specifies N2, the designation P2 should apply.

Table 3.7 Recommended designation for chimneys and flue-pipes for use with oil-firing appliances with a flue gas temperature not more than 250°C

Appliance type	Fuel oil	Designation
Boiler including combustion boiler - pressure jet	Class C2	T250 N2 D 1 Oxx
Cooker - pressure jet burner	Class C2	T250 N2 D 1 Oxx
Cooker and room heater - vaporising burner	Class C2	T250 N2 D 1 Oxx
Cooker and room heater - vaporising burner	Class D	T250 N2 D 2 Oxx
Condensing pressure jet burner appliances	Class C2	T160 N2 W 1 Oxx
Cooker - vapourising burner appliances	Class D	T160 N2 W 2 Oxx

Additional information:

The pressure designation N2 is regarded as the most likely specification to apply in the oil industry for both vaporising and pressure jet appliances. Most pressure jet appliances only generate adequate pressure to overcome flow resistance within the appliance so that the products of combustion entering the chimney will be at a negative pressure with respect to the atmosphere. Thus the appliance can be safely used with chimneys and flue-pipes with negative pressure designation. In the event that an appliance design produces a positive pressure at the outlet of the appliance, it is the manufacturer's responsibility to inform the installer that a chimney with a positive designation should be used. If there is any doubt, the more onerous designation P2 should apply.

The appliance manufacturer's instructions should always be checked. They may specify a higher designation.

Table 3.8 Recommended designation for chimneys and flue-pipes for use with gas appliances

Appliance	Type	Designation
Boiler - open - flued	• natural draught	T250 N2 D 1 Oxx

Appliance	Type	Designation
	• fanned draught	T250 P2 D 1 Oxx[1]
	• condensing	T250 P2 W 1 Oxx[1]
Boiler - room - sealed	• natural draught	T250 N2 D 1 Oxx
	• fanned draught	T250 P2 D 1 Oxx[1]
Gas fire	• radiant/convector	T250 N2 D 1 Oxx
	• ILFE or DFE	
Air heater	• natural draught	T250 N2 D 1 Oxx
	• fanned draught	T200 P2 D 1 Oxx[1]
	• SE duct	T450 N2 D 1 Oxx

Additional information:

The pressure designation P2 is regarded as the default specification. However the chimney can often generate an adequate natural draught, so that the appliance can be safely used with chimneys and flue-pipes with the negative pressure designation even for many fanned draught gas appliances, including condensing boilers that may otherwise have positive pressure at the outlet to the flue. The draught generated in a chimney may be calculated according to BS EN 13384-1: 2002. If there is any doubt, and/or unless the appliance manufacturer specifies N2, the designation P2 should apply.

3.18.3 Masonry chimneys

A new masonry chimney, usually custom-built on site, and normally with an outer wall of brick, block or stone, should be well constructed and incorporate a flue liner, or flue-blocks, of either clay material or precast concrete. A masonry chimney should be constructed in accordance with the recommendations in BS 6461: Part 1: 1984. If an outer wall is constructed of concrete it should be constructed in accordance with BS EN 12446: 2003.

It is a complex operation to upgrade the chimney at a later date to serve a new appliance that needs a higher classification of chimney to operate safely, thus a chimney designed for solid fuel will also serve for oil or gas. See clause 3.18.6 for guidance on flue liners.

Chimneys can also be constructed of prefabricated block components, designed for quick construction. Chimney components such as cappings, offsets and precast fireplace components are available with this type of system. Some flue-blocks are specially designed for gas-fired appliances only. Flue-blocks should be constructed and installed in accordance with recommendations in:

- a. BS EN 1858: 2003, for a precast concrete flue-block chimney
- b. BS EN 1806: 2006, for a clay flue-block chimney.

3.18.4 Metal chimneys

Metal chimneys may be either single-walled or double-walled. Each of these types is commonly factory-made by one manufacturer as sets of components for easy assembly on site (although they can be supplied as 1 unit) and is thus a system chimney. A choice of fittings such as bends, brackets, and terminals are available.

Some metal chimneys are specifically designed for use with gas-fired appliances and should not be used for solid fuel appliances because of the higher temperatures and greater corrosion risk.

Metal system chimneys, with the following designations, should be constructed in accordance with the recommendations in BS EN 1856-1:

- a. T400 N1 D V3 (or Vm - Lxxxxx) Gxx, for solid fuel appliances
- b. T400 P2 D V3 (or Vm - Lxxxxx) Gxx where it serves an oil-firing appliance producing a flue gas temperature of not more than 400°C, e.g. burning Class D oil (gas oil)
- c. T250 N2 D V2 (or Vm - Lxxxxx) Oxx where it serves an oil-firing appliance producing a flue gas temperature of not more than 250°C, e.g. burning Class C2 oil (kerosene)
- d. T250 N2 D V1 (or Vm - Lxxxxx) Oxx where it serves a gas appliance.

The corrosion resistance may be specified, according to BS EN 1856-1, by:

- a. a corrosion test method, which leads to a value of either V1, V2 or V3, or
- b. by a material specification code Vm - Lxxxxx where the first 2 digits represent a material type as quoted in BS EN 1856-1, Table 4 and the last 3 digits represent the material thickness.

Acceptable material specifications may be taken from the national Annex to BS EN 1856-1. For example, an acceptable material code for solid fuel, oil or gas, would be Vm - L50040 representing a material type 50 with a thickness of 0.40mm.

A metal chimney should not pass through a compartment wall, compartment floor, separating wall or separating floor. However they may if the chimney, or a non-combustible casing totally enclosing the chimney, is constructed in such a way that, in the event of a fire, the fire resistance of the compartment wall, compartment floor, separating wall or separating floor is maintained (see Section 2, Fire).

A metal chimney should only pass through a storage space, cupboard or roof space provided any flammable material is shielded from the chimney by a removable, imperforate casing. Also where the chimney passes through the roof space, such as an attic, it should be surrounded by a rigid mesh that will prevent vermin from building a nest beside the warm chimney. Mesh should prevent an 8mm diameter sphere from passing.

There should be no joints within any wall, floor or ceiling that make accessing the chimney for maintenance purposes difficult.

3.18.5 Flue-pipes

A flue-pipe should be of a material that will safely discharge the products of combustion into the flue under all conditions that will be encountered. A flue-pipe serving a solid fuel appliance should be non-combustible and of a material and construction capable of withstanding the effects of a chimney fire without any structural change that would impair the stability and performance of the flue-pipe.

Flue-pipes should be manufactured from the materials noted below:

- a. cast iron pipe to BS 41: 1973 (1988)
- b. mild steel at least 3mm thick, to Section 1.1 of BS 1449: Part 1: 1991
- c. vitreous enamelled steel to BS 6999: 1989
- d. stainless steel designated Vm - L50100, in accordance with BS EN 1856-2: 2005 or Vm - Lxxxxx for oil or gas applications

e. any other material approved and tested under the relevant conditions of a notified body.

Flue-pipes should have the same diameter or equivalent cross sectional area as that of the appliance flue outlet and should be to the size recommended by the appliance manufacturer. It should be noted that oversized flue-pipes can cause condensation problems in modern, highly efficient oil and gas fired boilers.

A flue-pipe connecting a solid fuel appliance to a chimney should not pass through:

- a. a roof space
- b. an internal wall, although it is acceptable to discharge a flue-pipe into a flue in a chimney formed wholly or partly by a non-combustible wall
- c. a ceiling or floor. However it is acceptable for a flue-pipe to pass through a ceiling or floor where they are non-combustible and the flue-pipe discharges into a chimney immediately above.

3.18.6 Flue liners

A flue liner is the wall of the chimney that is in contact with the products of combustion. It can generally be of concrete, clay, metal or plastic depending on the designation of the application.

All new chimneys will have flue liners installed and there are several types, as follows:

- rigid sections of clay or refractory liner
- rigid sections of concrete liner
- rigid metal pipes.

Flue liners suitable for solid fuel appliances, and therefore generally suitable for other fuels, should have a performance at least equal to that corresponding to the designation T400 N2 D 3 G as described in BS EN 1443: 2003 and manufactured from the following materials:

- a. clay flue liners with rebates or sockets for jointing and meeting the requirements for Class A1 N2 or Class A1 N1 as described in BS EN 1457: 1999, or
- b. concrete flue liners meeting the requirements for the classification Type A1, Type A2, Type B1 or Type B2 as described in BS EN 1857: 2003, or
- c. any other material approved and tested under the relevant conditions of a notified body.

Stainless steel flexible flue liners meeting BS EN 1856-2: 2005 may be used for lining or relining flues for oil and gas appliances, and for lining flues for solid fuel applications provided that the designation is in accordance with the intended application. These should be installed in accordance with their manufacturer's instructions.

Single skin, stainless steel flexible flue liners may be used for lining flues for gas and oil appliances. These should be installed in accordance with their manufacturer's instructions.

Double skin, stainless steel flexible flue liners for multi-fuel use should be installed in accordance with their manufacturer's instructions.

Existing custom-built masonry chimneys may be lined or re-lined by one of the following flue liners:

- flexible, continuous length, single-skin stainless steel for lining or re-lining chimney flues for C2 oil and gas installations designated T250

- flexible, continuous length, double-skin stainless steel for lining or re-lining systems designated T400 for multi-fuel installations
- insulating concrete pumped in around an inflatable former
- spray-on or brush-on coating by specialist.

Existing chimneys for solid fuel applications may also be relined using approved rigid metal liners or single-walled chimney products, an approved cast-insitu technique or an approved spray-on or brush-on coating. Approved products are listed in the HETAS Guide.

Masonry liners for use in existing chimneys should be installed in accordance with their manufacturer's instructions. Appropriate components should be selected to form the flue without cutting and to keep joints to a minimum. Bends and offsets should only be formed with factory-made components. Liners should be placed with the sockets or rebate ends uppermost to contain moisture and other condensates in the flue. In the absence of specific liner manufacturer's instructions to the contrary, the space between the lining and the surrounding masonry could be filled with a weak insulating concrete.

The corrosion resistance of a metal liner may be specified, according to BS EN 1856-1, by either:

- a. a corrosion test method, which leads to a value of either V1, V2 or V3, or
- b. by a material specification code Vm - Lxxxx where the first 2 digits represent a material type as quoted in BS EN 1856-1, Table 4 and the last 3 digits represent the material thickness.

Acceptable material specifications may be taken from the national Annex to BS EN 1856-1. For example, an acceptable material code for solid fuel, oil or gas, would be Vm - L50040 representing a material type 50 with a thickness of 0.40mm.

3.19 Combustion appliances – relationship to combustible materials

Mandatory Standard

Standard 3.19

Every building must be designed and constructed in such a way that any component part of each fixed combustion appliance installation will not cause damage to the building in which it is installed by radiated, convected or conducted heat or from hot embers expelled from the appliance.

3.19.0 Introduction

Combustion appliances and their component parts, particularly solid fuel appliance installations, generate or dissipate considerable temperatures. Certain precautions need to be taken to ensure that any high temperatures are not sufficient to cause a risk to people and the building. The characteristics of solid fuel and some older style oil-firing appliances are more onerous than modern oil and gas-fired appliances.

Conversions - in the case of conversions, as specified in regulation 4, the building as converted shall meet the requirements of this standard in so far as is reasonably

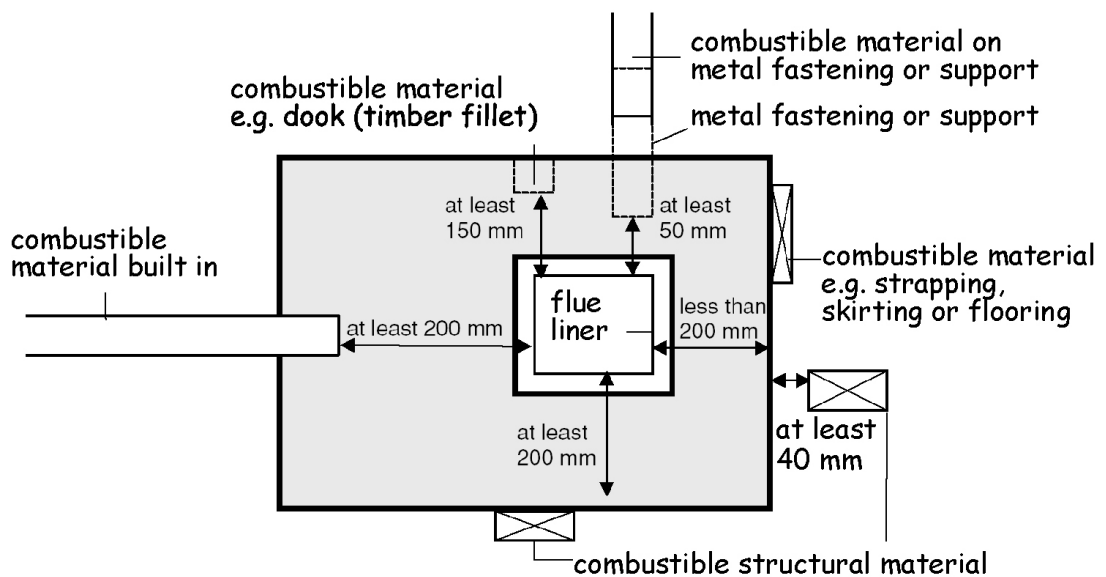
practicable, and in no case be worse than before the conversion (regulation 12, schedule 6).

3.19.1 Relationship of masonry chimneys to combustible material

Combustible material should not be located where the heat dissipating through the walls of fireplaces or flues could ignite it. All combustible materials therefore should be located at least 200mm from the surface surrounding a flue in a masonry chimney. However some combustible materials will not be a risk and do not need a 200mm separation distance nor do the flue gasses generated from some appliances reach a sufficiently high temperature to require it. The following materials may be located closer than 200mm to the surface surrounding a flue in a chimney:

- a damp proof course(s) firmly bedded in mortar
- small combustible fixings may be located not less than 150mm from the surface of the flue
- combustible structural material may be located not less than 40mm from the outer face of a masonry chimney
- flooring, strapping, sarking, or similar combustible material may be located on the outer face of a masonry chimney.

Figure 3.38 Plan view of masonry chimney



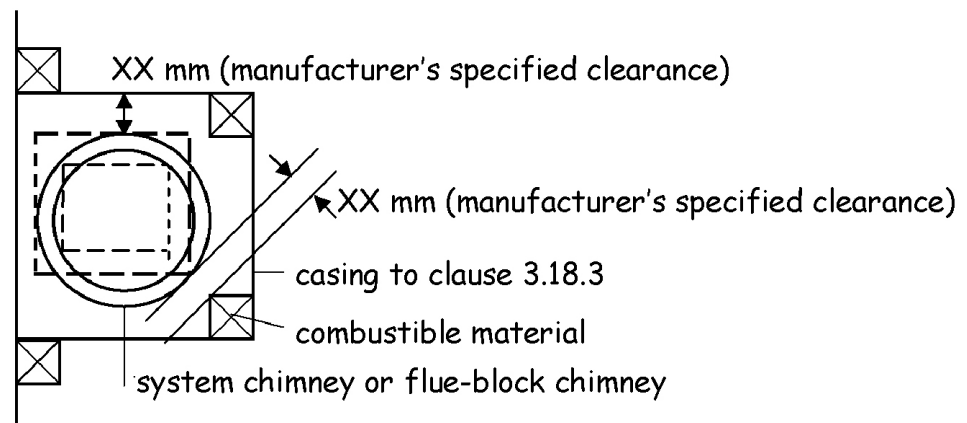
Any metal fastening in contact with combustible material, such as a joist hanger, should be at least 50mm from the surface surrounding a flue to avoid the possibility of the combustible material catching fire due to conduction.

BS EN 1806: 2000 relates to clay flue-block chimneys but does not give a value for distances to combustible materials. These types of chimneys therefore should be regarded as custom built chimneys and the minimum values in this clause 3.19.1 or clause 3.19.2 should be used and declared.

3.19.2 Relationship of system chimneys to combustible material

System chimneys do not necessarily require to be located at such a distance from combustible material. It is the responsibility of the chimney manufacturer to declare a distance 'XX', as stipulated in BS EN 1856-1: 2003 and BS EN 1858: 2003 as being a safe distance from the chimney to combustible material. At this distance, the temperature of adjacent combustible materials during operation of the appliance at its rated output should not exceed 85°C when related to an ambient temperature of 20°C.

Figure 3.39 Plan of casing round a factory-made chimney

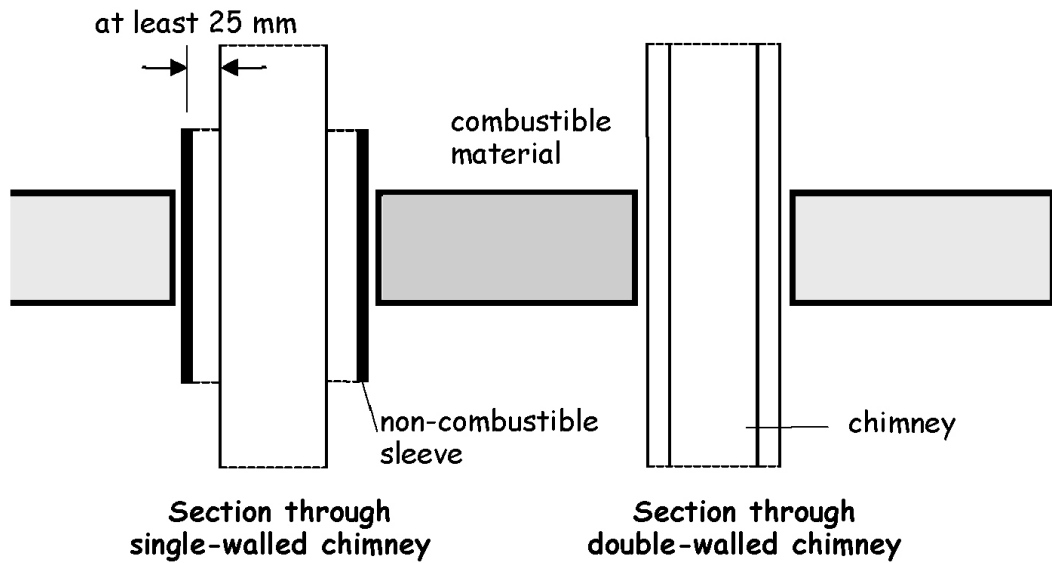


BS EN 1806: 2000 relates to clay flue-block chimneys but does not give a value for distances to combustible materials. These types of chimneys therefore should be regarded as a custom built chimneys and the minimum values in this clause 3.19.1 or clause 3.19.2 should be used and declared.

3.19.3 Relationship of metal chimneys to combustible material

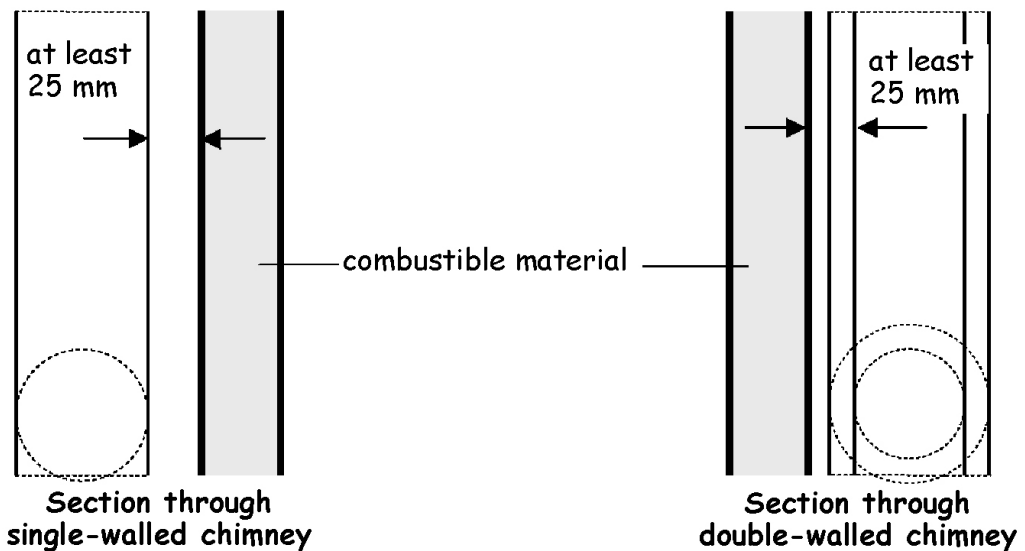
There should be a separation distance where a metal chimney passes through combustible material. This is specified, as part of the designation string for a system chimney when used for oil or gas, as (Gxx), where xx is the distance in mm. Where no data is available, the separation distance for oil or gas applications with a flue gas temperature limit of T250 or less should be 25mm from the outer surface of a single-walled chimney to combustible material. The 25mm should be measured from the surface of the inner wall of a double-walled chimney. There is no need for a separation distance if the flue gases are not likely to exceed 100°C.

Figure 3.40 Section through single-walled Chimney (vertical)



There should also be a separation distance where the metal chimney runs in close proximity to combustible material. The separation distance should be 25mm from the outer surface of a single-walled chimney to combustible material. The 25mm should be measured from the surface of the inner wall of a double-walled chimney. There is no need for a separation distance if the flue gases are not likely to exceed 100°C.

Figure 3.41 Section through double-walled Chimney (horizontal)



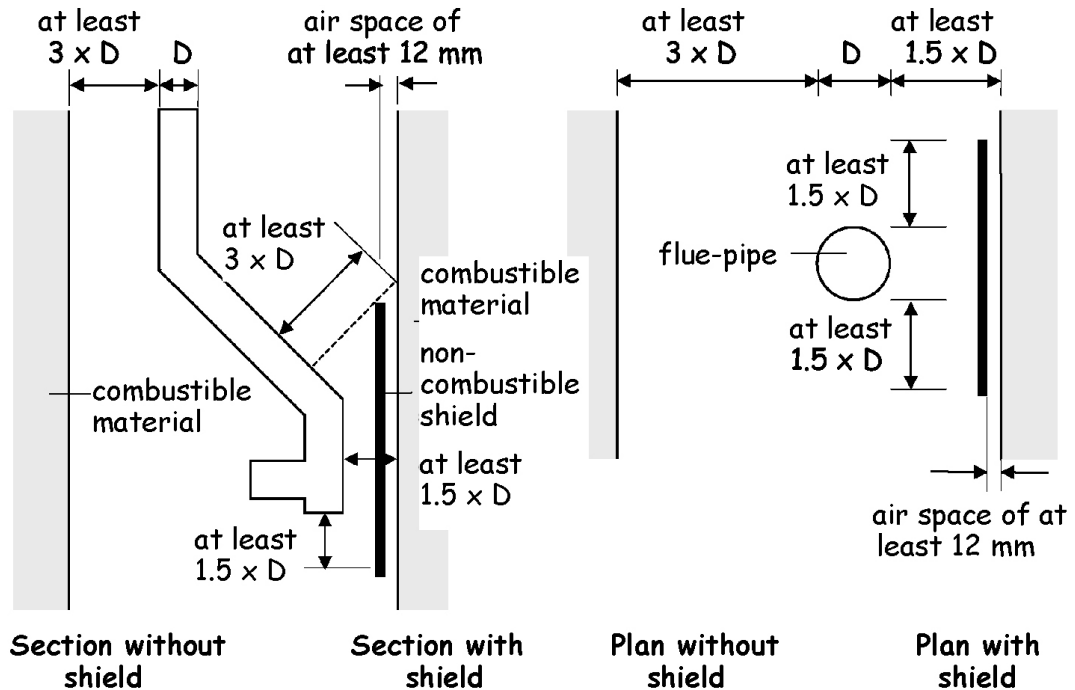
3.19.4 Relationship of flue-pipes to combustible material

To prevent the possibility of radiated heat starting a fire, a flue-pipe should be separated from combustible material by:

- a. a distance according to the designation of the flue-pipe in accordance with BS EN 1856-2: 2005, or

- b. a distance equivalent to at least 3 times the diameter of the flue-pipe. However this distance may be reduced:
- to 1.5 times the diameter of the flue-pipe, if there is a non-combustible shield provided in accordance with the following sketch, or
 - to 0.75 times the diameter of the flue-pipe, if the flue-pipe is totally enclosed in non-combustible material at least 12mm thick with a thermal conductivity of not more than 0.065W/mK.

Figure 3.42 Relationship of flue-pipes to combustible material

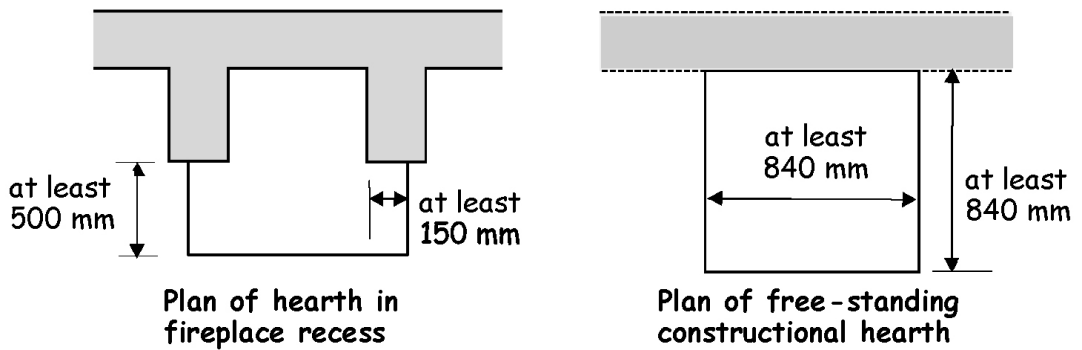


3.19.5 Relationship of solid fuel appliance to combustible material

A solid fuel appliance should be provided with a solid, non-combustible hearth that will prevent the heat of the appliance from igniting combustible materials. A hearth should be provided to the following dimensions:

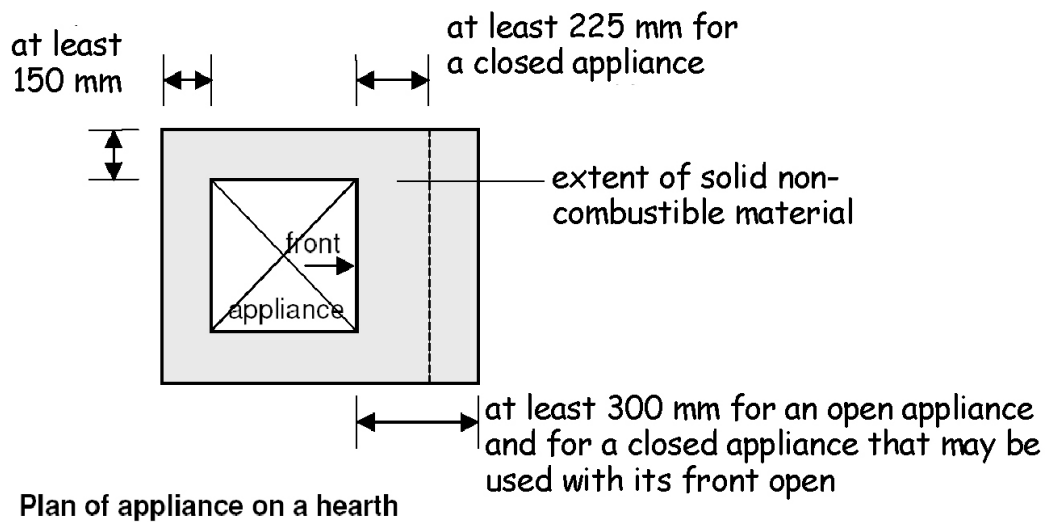
- a. a constructional hearth at least 125mm thick and with plan dimensions in accordance with the following sketches, or
- b. a free-standing, solid, non-combustible hearth at least 840 x 840mm minimum plan area and at least 12mm thick, provided the appliance will not cause the temperature of the top surface of the hearth on which it stands to be more than 100°C.

Figure 3.43 Hearth construction



Not only should a solid fuel appliance sit on a hearth, but the appliance itself should also be located on the hearth such that protection will be offered from the risk of ignition of the floor by direct radiation, conduction or falling embers. The solid fuel appliance should be located on a hearth in accordance with the following diagram:

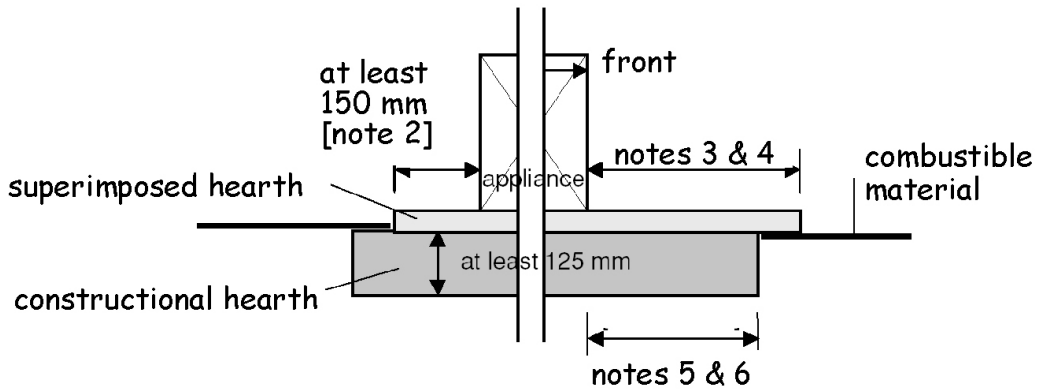
Figure 3.44 Appliance location



The 150mm does not apply where the appliance is located in a fireplace recess, nor does it apply where the back or sides of the hearth either abut or are carried into a solid, non-combustible wall complying with clause 3.19.8.

A solid fuel appliance may sit on a superimposed hearth provided the hearth is positioned partly or wholly on a constructional hearth. The superimposed hearth should be of solid, non-combustible material, usually decorative, and be at least 50mm thick in accordance with the following diagram:

Figure 3.45 Superimposed hearths



Section through superimposed hearth

Additional information:

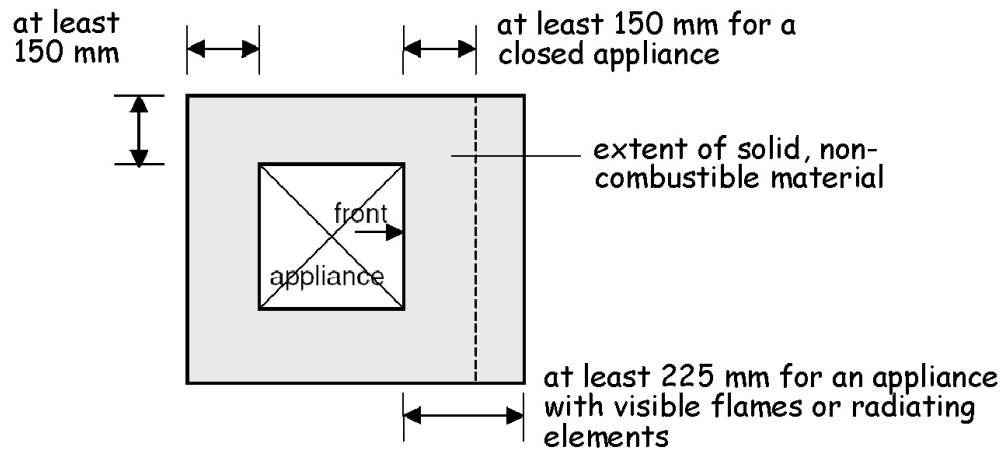
1. SUPERIMPOSED HEARTH means a finish of solid, non-combustible material, usually decorative, at least 50mm thick and positioned on a constructional hearth.
2. There need not be a 150mm separation where the appliance is located in a fireplace recess, nor where the back or sides of the hearth either abut or are carried into a solid, non-combustible wall complying with clause 3.19.8.
3. At least 225mm for a closed appliance.
4. At least 300mm for an open appliance and for a closed appliance that may properly be used with its front open.
5. No part of the appliance should project over any edge of the constructional hearth.
6. At least 150mm to combustible material measured horizontally.

3.19.6 Relationship of oil-firing appliance to combustible material

A hearth is not required beneath an oil-firing appliance if it incorporates a full sized, rigid non-combustible base and does not raise the temperature of the floor beneath it to more than 100°C under normal working conditions. The base may be provided separately from the appliance. In other cases the appliance should stand on a hearth constructed and installed in accordance with the guidance for a solid fuel appliance.

A floor-standing, oil-firing appliance should be positioned on the hearth in such away as to minimise the risk of ignition of any part of the floor by direct radiation or conduction. An oil-firing appliance should be located on a hearth in accordance with the following diagram:

Figure 3.46 Plan of appliance on a hearth (oil-firing)



Plan of appliance on a hearth

The 150mm does not apply where the appliance is located in a fireplace recess, nor does it apply where the back or sides of the hearth either abut or are carried into a solid, non-combustible wall complying with clause 3.19.8.

An oil-firing appliance should be separated from any combustible material if the temperature of the back, sides or top of the appliance is more than 100°C under normal working conditions. Separation may be by:

- a. a shield of non-combustible material at least 25mm thick, or
- b. an air space of at least 75mm.

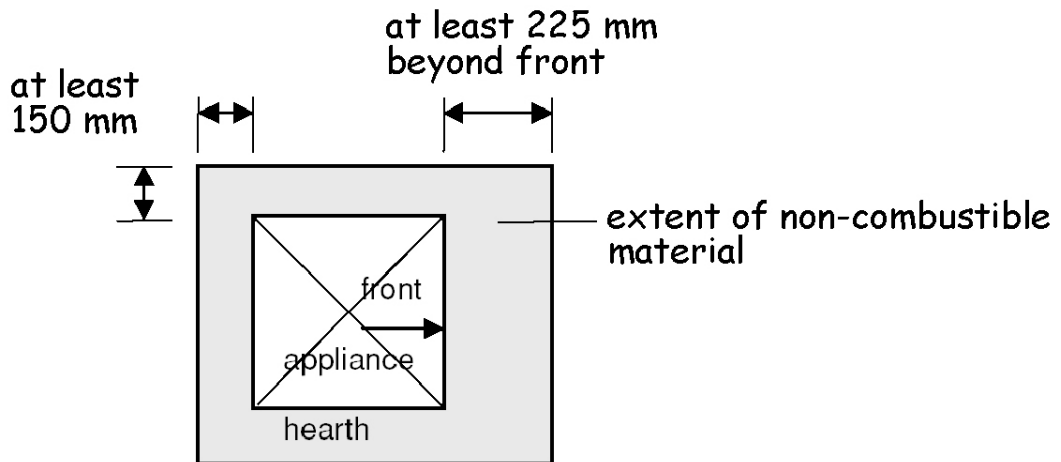
OFTEC Standard OFS A100 for boilers, OFS A101 for cookers and OFS A102 for room heaters defines suitable tests for measuring the temperature of the back, sides and top of an oil-firing appliance.

3.19.7 Relationship of gas-fired appliance to combustible material

A gas-fired appliance should be provided with a hearth in accordance with the following recommendations:

- a. Clause 12 of BS 5871: Part 1: 2005 for a gas fire, convector heater and fire/back boiler
- b. Clause 12 of BS 5871: Part 2: 2005 for an inset live fuel-effect gas appliance
- c. Clause 11 of BS 5871: Part 3: 2005 for a decorative fuel-effect gas appliance
- d. for any other gas-fired appliance, by a solid, heat resistant, non-combustible, non-friable material at least 12mm thick and at least the plan dimension shown in the diagram to this specification:

Figure 3.47 Plan of appliance on a hearth (gas-fired)



Plan of appliance on a hearth

The 150mm does not apply where the appliance is located in a fireplace recess, nor does it apply where the back or sides of the hearth either abut or are carried into a solid, non-combustible wall complying with clause 3.19.8.

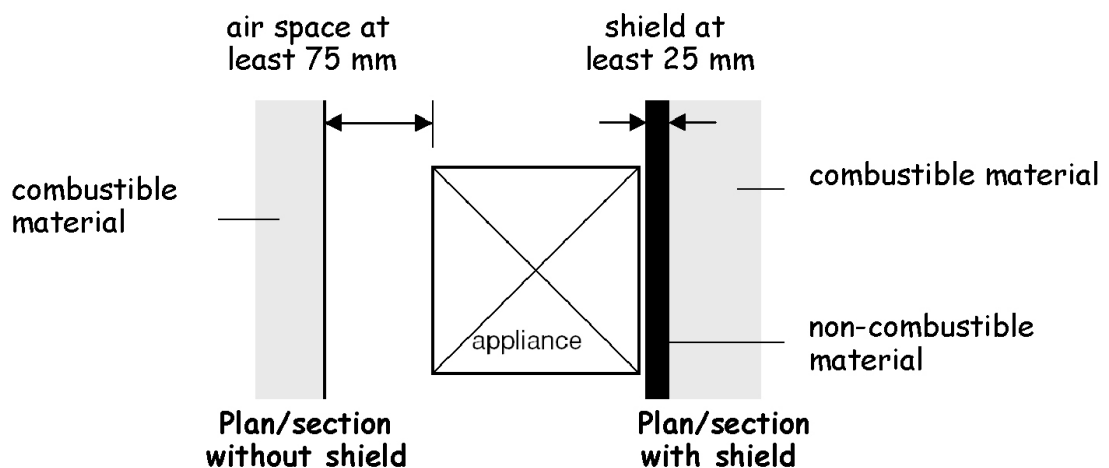
However a hearth need not be provided:

- a. where every part of any flame or incandescent material in the appliance is at least 225mm above the floor, or
- b. where the appliance is designed not to stand on a hearth, such as a wall mounted appliance or a gas cooker.

A gas-fired appliance should be separated from any combustible material if the temperature of the back, sides or top of the appliance is more than 100°C under normal working conditions. Separation may be by:

1. a shield of non-combustible material at least 25mm thick, or
2. an air space of at least 75mm.

Figure 3.48 Plan of appliance on a hearth (separation)



A gas-fired appliance with a CE marking and installed in accordance with the manufacturer's written instructions may not require this separation.

3.19.8 Relationship of hearths to combustible material

Walls that are not part of a fireplace recess or a prefabricated appliance chamber but are adjacent to hearths or appliances should also protect the dwelling from catching fire. This is particularly relevant to timber-framed buildings. Any part of a dwelling therefore that abuts or is adjacent to a hearth, should be constructed in such a way as to minimise the risk of ignition by direct radiation or conduction from a solid fuel appliance located upon the hearth. This recommendation does not relate to floors, as an appliance should stand on a suitable hearth described in clauses 3.19.5, 3.19.6 and 3.19.7.

The building elements adjacent to combustion appliances should be constructed in accordance to the following recommendations:

- the hearth located in a fireplace recess in accordance with BS 8303: Part 1: 1994, or
- any part of the dwelling, other than the floor, not more than 150mm from the hearth, constructed of solid, non-combustible material in accordance with the diagram and table to this specification.

Figure 3.49 Relationship of hearths to combustible material

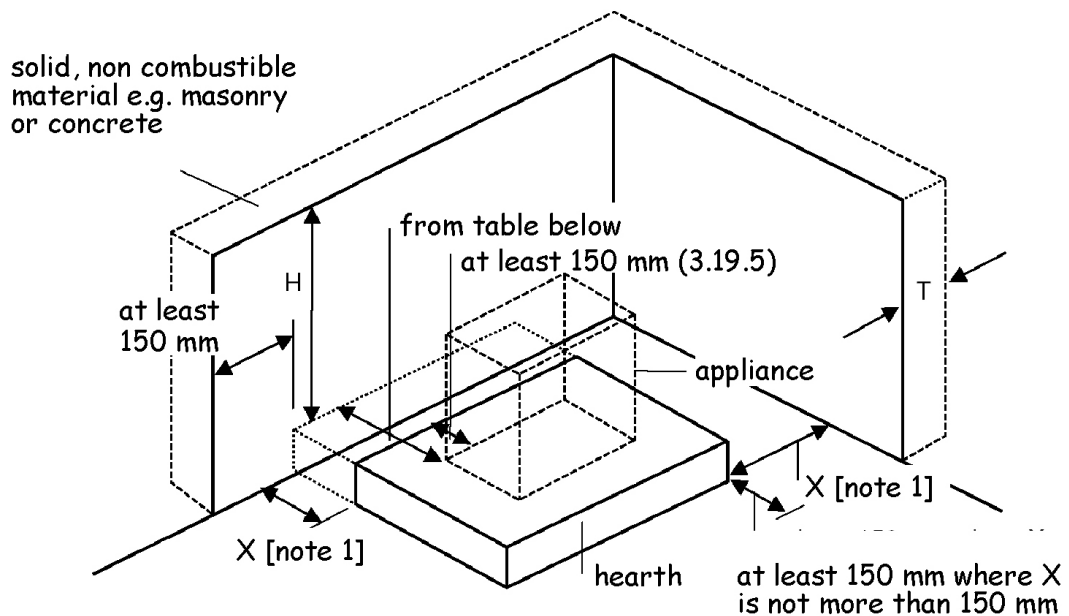


Table 3.9 Hearth and appliance adjacent to any part of a building

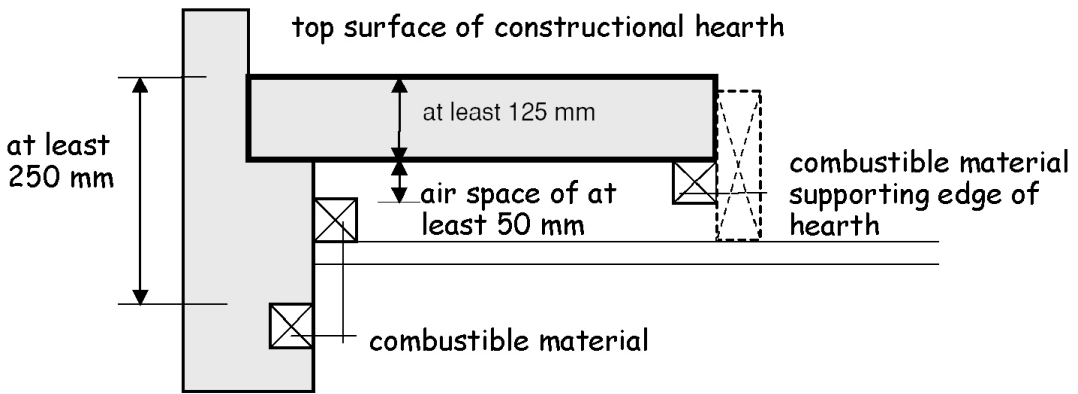
Location of hearth or appliance	Thickness (T) of solid, non-combustible material	Height (H) of solid non-combustible material
Where the hearth abuts a wall and the appliance is not more than 50mm from the wall	200mm	at least 300mm above the appliance or 1.2m above the hearth whichever is the greater.
Where the hearth abuts a wall and the appliance is more than 50mm but not more than 300mm from the wall	75mm	at least 300mm above the appliance or 1.2m above the hearth whichever is the greater.

Location of hearth or appliance	Thickness (T) of solid, non-combustible material	Height (H) of solid non-combustible material
Where the hearth does not abut a wall and is not more than 150mm from the wall	75mm	at least 1.2m above the hearth.

Additional information:

1. There is no requirement for protection of the wall where X is more than 150mm.
- All combustible material under a constructional hearth should be separated from the hearth by an air space of at least 50mm. However an air space is not necessary where:
- a. the combustible material is separated from the top surface of the hearth by solid, non-combustible material of at least 250mm, or
 - b. the combustible material supports the front and side edges of the hearth.

Figure 3.50 Section through hearth



Section through hearth

3.19.9 Fireplace recesses

A fireplace recess should be constructed of solid, non-combustible material in accordance with the recommendations in clauses 7 and 8 of BS 8303: Part 1: 1994 and to the minimum thickness shown in Figure 2 to BS 8303: Part 3: 1994. The recess should incorporate a constructional hearth.

An alternative is to use a prefabricated appliance chamber of solid concrete components. These components should be:

- a. supplied by the same manufacturer, with pre-made jointing arrangements, assembled on site using a cement specified for the purpose by the manufacturer, and
- b. of insulating concrete with a density of between 1200 and 1700kg/m³, and
- c. installed on a constructional hearth, and
- d. of components having a minimum thickness shown in the table below:

Table 3.10 Thickness of solid fuel appliance chamber components

Component	Minimum thickness (mm)
Base	50

Component	Minimum thickness (mm)
Sides	75
Back panel and top slab	100
Hood and bar lintels	100

3.20 Combustion appliances – removal of products of combustion

Mandatory Standard

Standard 3.20

Every building must be designed and constructed in such a way that the products of combustion are carried safely to the external air without harm to the health of any person through leakage, spillage, or exhaust nor permit the re-entry of dangerous gases from the combustion process of fuels into the building.

3.20.0 Introduction

The guidance to this standard includes design and construction issues relating to chimneys and flues. In 2010-11 Fire fighters attended 1565 chimney fires in Scotland. The main cause of these fires was inadequate maintenance of the chimneys, including routine cleaning of flues.

Combustion appliances fuelled by solid fuel, oil or gas all have the potential to cause carbon monoxide (CO) poisoning if they are poorly installed or commissioned, inadequately maintained or incorrectly used. Inadequate ventilation or a lack of the correct maintenance of appliances, flues and chimneys are the main causes of CO poisoning. Poisonous CO gas is produced when fuel does not burn properly. Incidents of poisoning can also occur through deterioration of the structure of the flue or chimney. Every year in Scotland there are fatalities from CO poisoning directly attributed to combustion appliances installed in buildings. In addition to these deaths there are also a considerable number of incidents where people are treated in hospital for the effects of CO poisoning. In some cases CO poisoning can result in serious and permanent injury to persons affected. Where CO gas may occur within a building early detection and warning can play a vital role in the protection and safety of the occupants. This is particularly important in buildings with sleeping accommodation.

Incorrect sizing of flues can also have serious repercussions. If a flue is too small, an insufficient volume of air will pass through it and this may lead to spillage of combustion gases. Too large a flue will slow down the flow of combustion gases and this may also lead to spillage.

The use of fanned flues allows combustion appliances to be located away from external walls. In such installations the flues can often be concealed within ceiling or wall voids making it difficult to determine whether the flue is still in good condition when an appliance is serviced or maintained.

Damaged or poorly maintained flues can allow CO gases to escape from the flue before the intended termination point. Therefore flues passing through a building should be

minimised. Where it is not possible to avoid a flue passing through the building the route of the flue should be carefully considered to minimise the risk to occupants.

Conversions - in the case of conversions, as specified in regulation 4, the building as converted shall meet the requirement of this standard (regulation 12, schedule 6).

3.20.1 Chimney and flue-pipe serving appliance burning any fuel

A chimney or flue-pipe serving any appliance should be suitable for use with the type of appliance served. A chimney should be manufactured using products in accordance with the following standards:

- a. BS EN 1858: 2003, for concrete chimney blocks, or
- b. BS EN 1806: 2000, for clay chimney blocks, or
- c. BS EN 1857: 2003, for purpose made concrete flue linings, or
- d. BS EN 1457: 1999, for purpose made clay flue linings, or
- e. BS EN 1856-1: 2003, for a factory-made metal chimney, or
- f. a lining accepted for the purpose after testing of the chimney under the relevant conditions by a notified body.

3.20.2 Chimneys and flue-pipes serving solid fuel appliances

A flue in a chimney should be separated from every other flue and extend from the appliance to the top of the chimney. Every flue should be surrounded by non-combustible material that is capable of withstanding the effects of a chimney fire, without any structural change that would impair the stability or performance of the chimney. However the chimney may include a damp proof course (or courses) of combustible material.

3.20.3 Chimneys and flue-pipes serving oil-firing appliances

A chimney or flue-pipe serving an oil-firing appliance should be constructed to the recommendations of BS 5410: Part 1: 1997 or OFTEC Technical Book 3 and OFTEC Standard OFS E106 as appropriate.

Satisfactory specification of chimneys and flue-pipes depends upon the gas temperature to be expected in normal service. Flue gas temperatures depend upon appliance types and the age of their design. Older appliances are likely to produce flue gas temperatures greater than 250°C while modern boilers that bear the CE mark indicating compliance with the Boiler (Efficiency) Regulations 1993 will normally have flue gas temperatures less than 250°C. Information for individual appliances should be sought from manufacturer's installation instructions, from the manufacturers themselves or from OFTEC. Where this is not available, flues should be constructed for an assumed flue gas temperature of more than 250°C.

High flue gas temperatures - where the flue gas temperatures are more than 250°C, under normal working conditions, custom-built chimneys, system chimneys and flue-pipes should be designed and constructed for use with a solid fuel appliance.

Low flue gas temperatures - where the flue gas temperatures are not more than 250°C, under normal working conditions, chimneys and flue-pipes may be of a lower specification as follows:

- a. in accordance with the guidance in clauses 3.18.3, 3.18.4, 3.18.5, relating to gas, and
- b. where the oil-firing appliance burns Class D fuel, the inner surfaces of the chimney or flue-pipe should not be manufactured from aluminium.

The flue gas temperatures are quoted in manufacturer's product data and can be measured in accordance with OFTEC Appliance Standard OFS A100 for boilers, OFS A101 for cookers or OFS A102 for room heaters.

3.20.4 Chimneys and flue-pipes serving gas-fired appliances

A chimney or flue-pipe should be constructed and installed in accordance with the following recommendations:

- a. BS 5440-1: 2000
- b. IGE/UP/7: Edition 2, 'Gas Installation in timber framed and light steel framed buildings', where the chimney or flue-pipe is in a timber frame building
- c. the appropriate recommendations of the combustion appliance manufacturer, where the flue-pipe is supplied as an integral part of the combustion appliance.

3.20.5 Oil-firing appliances in bathrooms and bedrooms

There is an increased risk of carbon monoxide poisoning in bathrooms, shower rooms or rooms intended for use as sleeping accommodation, such as bed-sitters. Because of this, open-flued oil-firing appliances should not be installed in these rooms or any cupboard or compartment connecting directly with these rooms. Where locating a combustion appliance in such rooms cannot be avoided, the installation of a room-sealed appliance would be appropriate.

3.20.6 Gas-fired appliances in bathrooms and bedrooms

Regulation 30 of the Gas Safety (Installations & Use) Regulations 1998 has specific requirements for room-sealed appliances in these locations.

3.20.7 Protection of metal chimneys

Metal chimneys should be guarded if there could be a risk of damage or if they present a risk to people that is not immediately apparent such as when they traverse intermediate floors out of sight of the appliance.

Where the metal chimney passes through a room or accessible space such as a walk-in cupboard it should be protected in accordance with the recommendations of:

- BS EN 12391-1: 2003, for solid fuel appliances
- BS 5410: Part 1: 1997, for oil-firing appliances

- BS 5440: Part 1: 2000, for gas appliances.

It is not necessary to provide protection where a system chimney runs within the same space as the appliance served.

3.20.8 Size of flues – solid fuel appliances

The size of a flue serving a solid fuel appliance should be at least the size shown in the table below and not less than the size of the appliance flue outlet or that recommended by the appliance manufacturer.

Table 3.11 Thickness of solid fuel appliance chamber components

Appliance	Minimum flue size [3]
Fireplace with an opening more than 500mm x 550mm, or a fireplace exposed on 2 or more sides	a. 15% of the total face area of the fireplace opening(s) [4], or b. in accordance with the diagram to clause 3.20.7 [5]
Fireplace with an opening not more than 500mm x 550mm	200mm diameter or rectangular/square flues having the same cross sectional area and a minimum dimension not less than 175mm
Closed appliance with rated output more than 30kW but not more than 50kW, burning any fuel	175mm diameter or rectangular/square flues having the same cross sectional area and a minimum dimension not less than 150mm
Closed appliance with rated output not more than 30kW burning any fuel	150mm diameter or rectangular/square flues having the same cross sectional area and a minimum dimension not less than 125mm
Closed appliance with rated output not more than 20kW that burns smokeless or low volatiles fuel	125mm diameter or rectangular/square flues having the same cross sectional area and a minimum dimension not less than 100mm for straight flues or 125mm for flues with bends or offsets

Additional information:

1. CLOSED APPLIANCE includes cookers, stoves, room heaters and boilers.
2. SMOKELESS FUEL means solid mineral fuel that produces combustion products containing particulate matter that does not exceed a specified low amount.
3. Any chimney pot or open-topped terminal must maintain the same cross-sectional area as the flue. Any covered terminal should have side outlets with a total free area twice that of the flue.
4. Specialist advice should be sought when proposing to construct flues with an area of more than 120000mm² or 15% of the total face area of the fireplace opening.
5. The diagram to Figure 3.52 should only be used for the range of sizes shown within the shaded area.
6. Fire size is related to the free opening area at the front of the fireplace opening.

Figure 3.51 Fireplace opening areas

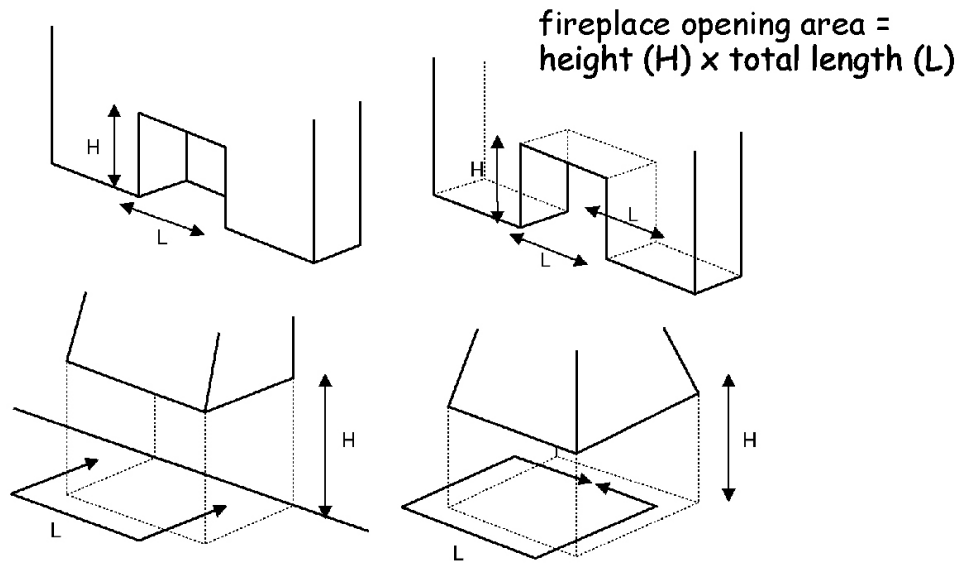
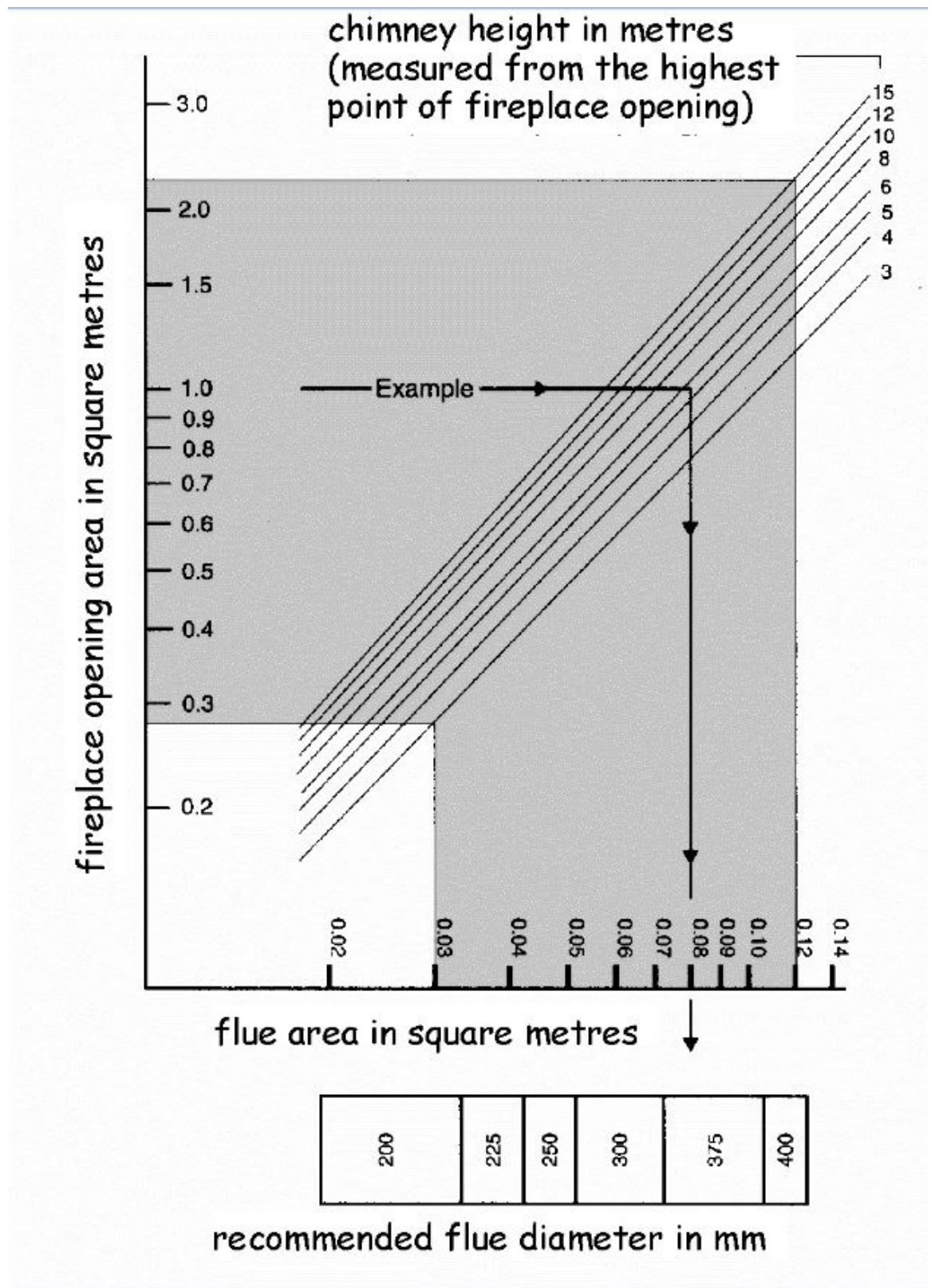


Figure 3.52 Flue sizing for larger solid fuel open fires



3.20.9 Size of flues – oil-firing appliances

The cross sectional area of a flue serving an oil-firing appliance should be in accordance with the recommendations in BS 5410: Part 1: 1997 and should be the same size as the appliance flue spigot.

3.20.10 Size of flues – gas-fired appliances

The area of a flue serving a gas-fired appliance should have a size to ensure safe operation. A flue should be provided in accordance with the following recommendations:

- Clause 9 of BS 5871: Part 3: 2005, for a decorative fuel-effect gas appliance
- BS 5871: Part 2: 2005, for an inset live fuel-effect gas appliance
- BS 5440: Part 1: 2000, for any other gas-fired appliance.

3.20.11 Design of flues

A combustion appliance should be connected to a chimney that discharges to the external air. However there are some combustion appliances that are designed not to discharge direct to the external air, such as flueless cookers. An opening window, extract fan or passive stack ventilation system may be sufficient to ventilate a kitchen but where other types of flueless appliances are installed, the manufacturer's instructions should be followed.

Every solid fuel appliance should be connected to a separate flue.

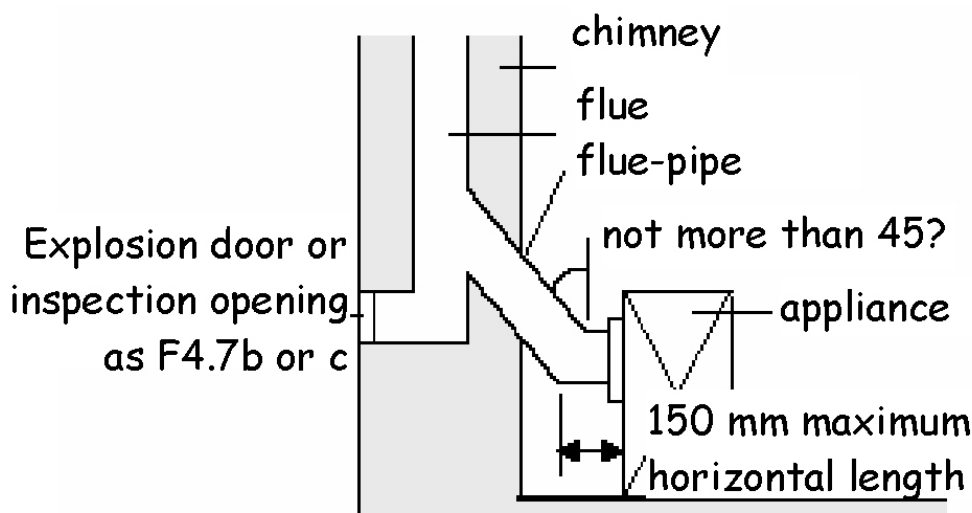
Every oil-firing appliance should be connected to a separate flue. However this is not necessary where all the appliances have pressure jet burners and are connected into a shared flue.

Every gas-fired appliance that requires a flue should connect into a separate flue. However in certain instances, appliances can be connected to shared flues, if they are installed in accordance with the recommendations in BS 5440: Part 1: 2000.

The flue of a natural draught appliance, such as a traditional solid fuel appliance, should offer the least resistance to the passage of combustion gases. Resistance can be minimised by restricting the number of bends and horizontal runs should only be incorporated on back-entry appliances.

The horizontal length of the back-entry flue pipe at the point of discharge from the appliance should be not more than 150mm.

Figure 3.53 Flue-pipe connection to back-entry solid fuel appliance



Section through appliance and flue-pipe

Where bends are essential, they should be angled at not more than 45° to the vertical.

3.20.12 Openings in flues

The flue should have no intermediate openings. However it is acceptable to provide a draught stabiliser or draft diverter on the chimney provided it is in the same room or space as the appliance being served. An explosion door may also be provided.

3.20.13 Access to flues

Access should be provided for inspection and cleaning of the flue and the appliance and therefore an opening that is fitted with a non-combustible, rigid, gas-tight cover would be acceptable.

Adequate provision for inspecting flues that are positioned within a void, for example a service duct or above a suspended ceiling, should be provided. Such provisions will allow essential safety checks to be made by engineers when a combustion appliance is worked on, both during initial commissioning and any subsequent servicing.

Access hatches should be 300mm x 300mm or larger where necessary to allow sufficient access to the void to look along the length of the flue. The number and position of access hatches should allow the entire length of the concealed flue to be inspected with at least one hatch located within 1.5m of any joint in the flue system.

Access hatches are intended for inspection purposes only, it is not intended that they allow full physical access to the flue system.

3.20.14 Location of metal chimneys

To minimise the possibility of condensation in a metal chimney, it should not be fixed externally to a building, but should be routed inside the building. However a metal chimney may be fixed externally if it is insulated and constructed of a material that can be used externally, such as stainless steel or, in the case of gas, aluminium, so long as they conform to the specifications of the National Annex to BS EN 1856-1: 2003.

3.20.15 Terminal discharges at low level

Combustion gasses at the point of discharge can be at a high temperature. Therefore flues discharging at low level where they may be within reach of people should be protected with a terminal guard.

A flue terminal should be protected with a guard if a person could come into contact with it or if it could be damaged. If the flue outlet is in a vulnerable position, such as where the flue discharges within reach of the ground, or a balcony, veranda or window, it should be designed to prevent the entry of matter that could obstruct the flow of gases.

3.20.16 Terminal discharge from condensing boilers

The condensate plume from a condensing boiler can cause damage to external surfaces of a building if the terminal location is not carefully considered. The manufacturer's instructions should be followed.

3.20.17 Solid fuel appliance flue outlets

The outlet from a flue should be located externally at a safe distance from any opening, obstruction or flammable or vulnerable materials. The outlets should be located in accordance with the following diagram:

Figure 3.54 Solid fuel - flue outlets

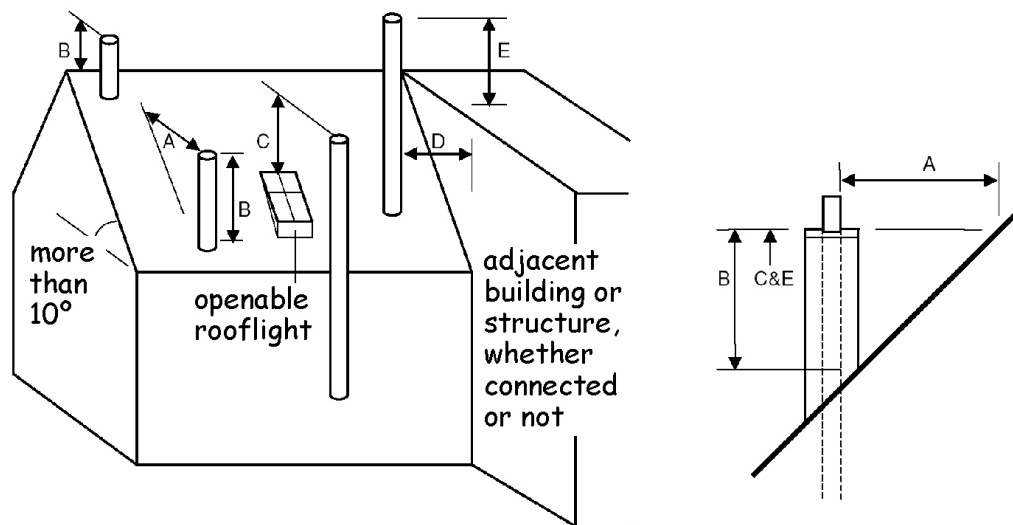


Table 3.12 Minimum dimension to flue outlets

Location	Minimum dimension to flue outlets
A	2.3m horizontally clear of the weather skin.
B	1.0m provided A is satisfied or 600mm where above the ridge. However, where the roof is thatch or shingles, the dimensions should be as figure 3.55 to clause 3.20.17.
C	1.0m above the top of any flat roof and 1.0m above any openable rooflight, dormer

Location	Minimum dimension to flue outlets
	or ventilator, etc. within 2.3m measured horizontally.
D/E	Where D is not more than 2.3m, E must be at least 600mm.

Additional information:

1. Horizontal dimensions are to the surface surrounding the flue.
2. Vertical dimensions are to the top of the chimney terminal.

Flue terminals in close proximity to roof coverings that are easily ignitable, such as thatch or shingles, should be located outside Zones A and B in the following diagram:

Figure 3.55 Combustible roof coverings

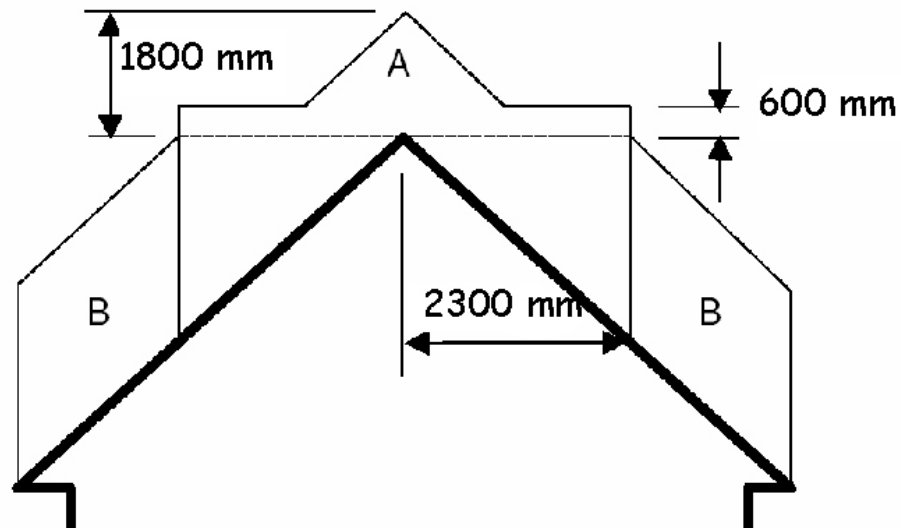
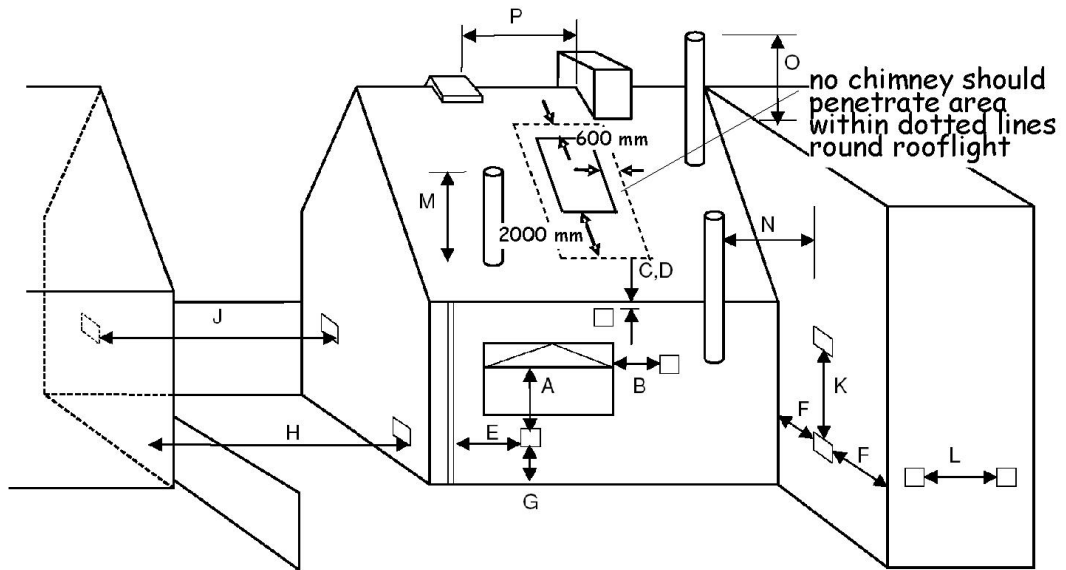


Table 3.13 Location of flue terminals relative to easily ignitable roof coverings

Location	Location of flue terminals relative to easily ignitable roof coverings
Zone A	At least 1.8m vertically above the weather skin and at least 600mm above the ridge.
Zone B	At least 1.8m vertically above the weather skin and at least 2.3m horizontally from the weather skin.

3.20.18 Oil-firing appliance flue outlets

The outlet from a flue should be located externally at a safe distance from any opening, obstruction or combustible material. The outlets should be located in accordance with the following diagram:

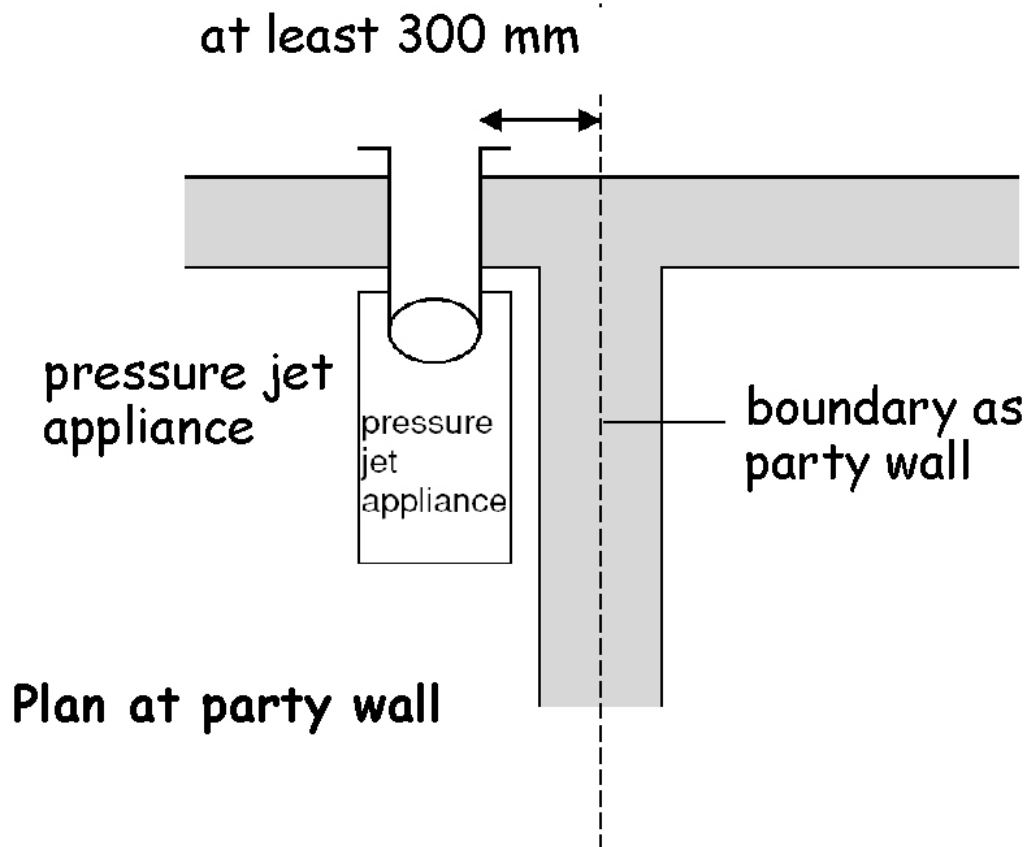
Figure 3.56 Oil-firing - flue outlets

Table 3.14 Flue terminal positions for oil-firing appliances

Location	Minimum distance to terminal (mm)	
	pressure jet	vaporising
A. Directly below an opening, air brick, opening window etc	600	not allowed
B. Horizontally to an opening, air brick, opening window etc	600	not allowed
C. Below a gutter, eaves or balcony with protection	75	not allowed
D. Below a gutter, eaves or balcony without protection	600	not allowed
E. From vertical sanitary pipework	300	not allowed
F. From an internal or external corner	300	not allowed
G. Above ground or balcony level	300	not allowed
H. From a surface or boundary facing the terminal	600 [6]	not allowed
J. From a terminal facing the terminal	1200	not allowed
K. Vertically from a terminal on the same wall	1500	not allowed
L. Horizontally from a terminal on the same wall	750	not allowed
M. Above the highest point of an intersection with the roof	600 [1]	1000 [7]
N. From a vertical structure to the side of the terminal	750 [1]	2300
O. Above a vertical structure not more than 750mm from the side of the terminal	600 [1]	1000 [7]
P. From a ridge terminal to a vertical structure on the roof	1500	not allowed

Additional information:

1. Appliances burning Class D oil should discharge the flue gases at least 2m above ground level.
2. Terminating positions M, N, and O for vertical balanced flues should be in accordance with manufacturer's instructions.
3. Vertical structure in N, O and P includes tank or lift rooms, parapets, dormers etc.
4. Terminating positions A to L should only be used for appliances that have been approved for low level flue discharge when tested in accordance with BS EN 303-1: 1999, OFS A100 or OFS A101.
5. Terminating positions should be at least 1800mm from an oil storage tank unless a wall with a non-combustible construction type 7, short duration (see table to 2.B.1) and more than 300mm higher and wider each side than the tank is provided between the tank and the terminating position.
6. Where a flue terminates not more than 600mm below a projection and the projection is plastic or has a combustible finish, then a heat shield of at least 750mm wide should be fitted.
7. The distance from an appliance terminal installed at right angles to a boundary may be reduced to 300mm in accordance with diagram 2 to clause 3.20.16.
8. Where a terminal is used with a vaporising burner, a horizontal distance of at least 2300mm should be provided between the terminal and the roof line.
9. Notwithstanding the dimensions above, a terminal should be at least 300mm from combustible material.

Figure 3.57 Separation between a boundary and terminal at right angles



3.20.19 Gas-fired appliance flue outlets

The outlet from a flue should be located externally at a safe distance from any opening, obstruction or combustible material. The outlets should be located in accordance with the following diagram:

Figure 3.58 Gas-fired - flue outlets

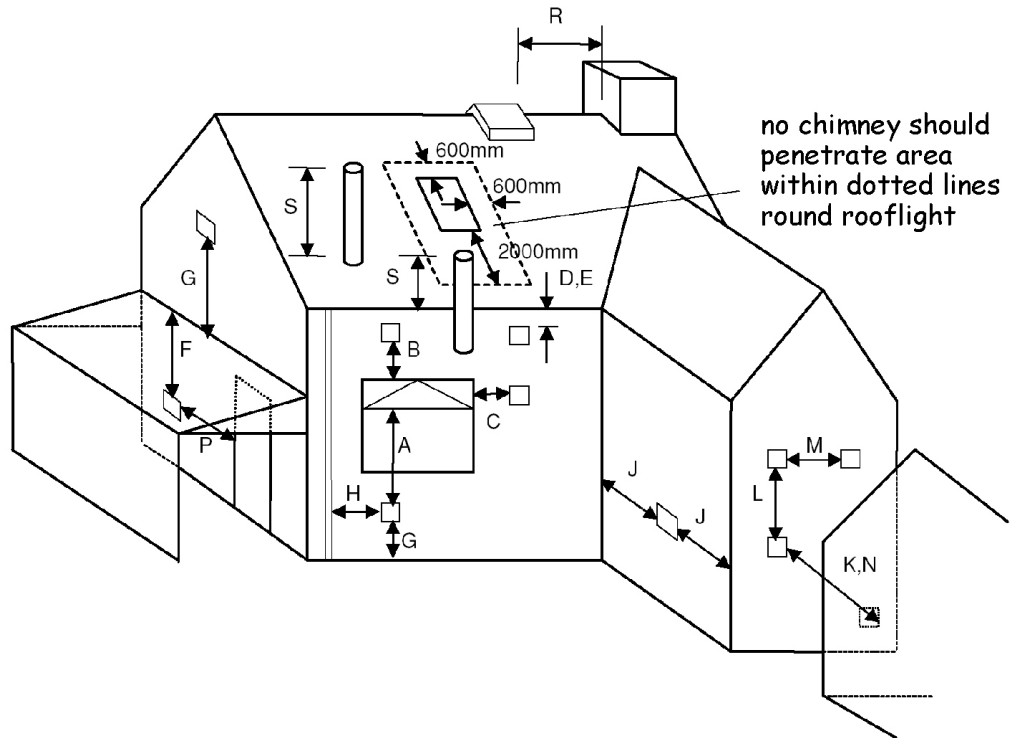


Table 3.15 Flue terminal positions for gas-fired appliances

Location	Minimum distance to terminal in mm			
	Balanced flue, room-sealed appliance		Open flue	
	natural draught	fanned draught	natural draught	fanned draught
A. Directly below an opening, air brick, opening window, etc.	(0-7 kW) 300	300	n/all	300
	(>7-14 kW) 600			
	(>14-32 kW) 1500			
	(>32-70 kW) 2000			
B. Above an opening, air brick, opening window, etc.	(0-32 kW) 300	300	n/all	300
	(>32-70 kW) 600			
C. Horizontally to an opening, air brick, opening window, etc.	(0-7 kW) 300	300	n/all	300
	(>7-14 kW) 400			

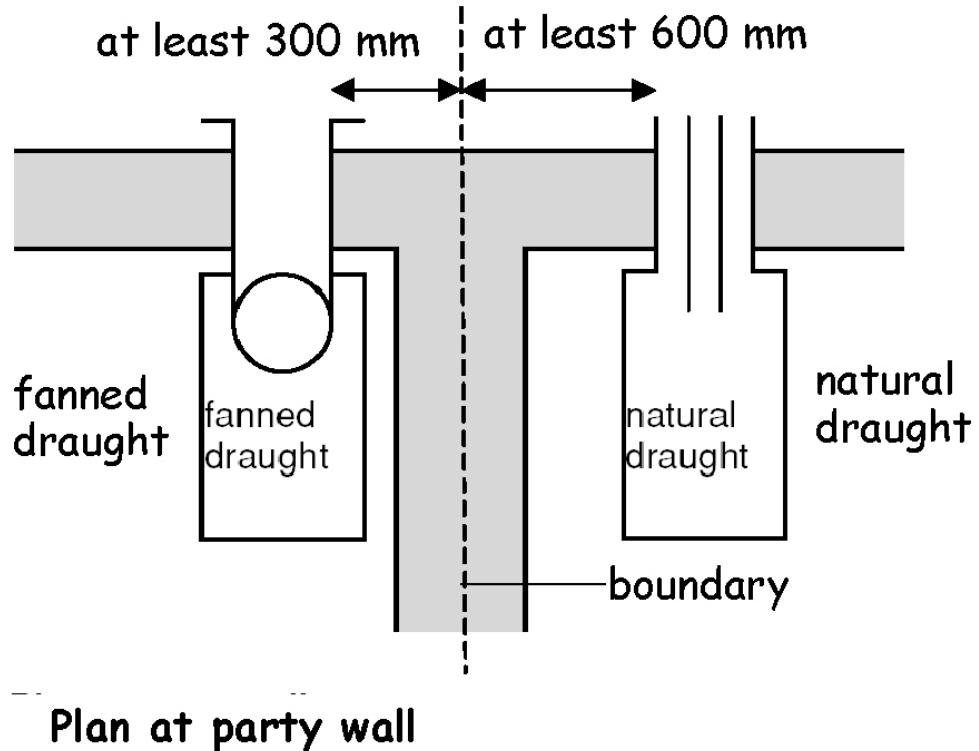
Location	Minimum distance to terminal in mm			
	Balanced flue, room-sealed appliance		Open flue	
	natural draught	fanned draught	natural draught	fanned draught
	(>14-70 kW) 600			
D. Below a gutter, or sanitary pipework	300[2]	75[1]	n/all	75[1]
E. Below the eaves	300[2]	200	n/all	200
F. Below a balcony or carport roof	600	200	n/all	200
G. Above ground, roof or balcony level	300	300	n/all	300
H. From vertical drain/soil pipework	300	150[3]	n/all	150
J. From an internal or external corner	600	300	n/all	200
K. From a surface or boundary facing the terminal [4]	600	600[5]	n/app	600
L. Vertically from terminal on same wall	1500	1500	n/app	1500
M. Horizontally from terminal on same wall	300	300	n/app	300
N. From a terminal facing the terminal	600	1200[6]	n/app	1200
P. From an opening in a carport (e.g. door, window) into the building	1200	1200	n/app	1200
R. From a vertical structure on the roof [7]	n/app	n/app	[note 8]	n/app
S. Above an intersection with the roof	n/app	[note 9]	[note 10]	150

Additional information:

- Notwithstanding the dimensions in the table, a terminal serving a natural draught and fanned draught appliance of more than 3kW heat input, should be at least 300mm and 150mm respectively from combustible material.
- Where a natural draught flue terminates not more than 1m below a plastic projection or not more than 500mm below a projection with a painted surface, then a heat shield at least 1m long should be fitted.
- This dimension may be reduced to 75mm for appliances of up to 5kW heat input.
- The products of combustion should be directed away from discharging across a boundary.
- The distance from a fanned draught appliance terminal installed at right angles to a boundary may be reduced to 300mm in accordance with diagram 2 to clause 3.20.17.
- The distance of a fanned flue terminal located directly opposite an opening in a building should be at least 2m.
- Vertical structure includes a chimney-stack, dormer window, tank room, lift motor room or parapet.
- 1500mm if measured to a roof terminal, otherwise as Table 2 in BS 5440-1: 2000.
- To manufacturer's instructions.
- 10As Table 2 in BS 5440-1: 2000.

11n/all = not allowed. n/app = not applicable.

Figure 3.59 Separation between a boundary and terminal at right angles



3.20.20 Carbon monoxide detection

Carbon monoxide (CO) is a colourless, odourless, and tasteless gas. Low levels of CO gas can be present in the atmosphere, however, it is highly toxic and dangerous to humans and animals in higher quantities. The gas is produced in high levels from appliances where incomplete combustion of a carbon based fuel occurs. Incomplete combustion could occur in appliance installations that are defective, lack proper maintenance or have inadequate provision for combustion air.

In order to alert occupants to the presence of levels of carbon monoxide which may be harmful to people, a detection system should be installed in all dwellings where:

- a new or replacement fixed combustion appliance (excluding an appliance used solely for cooking) is installed in the dwelling, or
- a new or replacement fixed combustion appliance is installed in an inter-connected space, for example, an integral garage.

Carbon monoxide detectors should comply with BS EN 50291-1:2010 and be powered by a battery designed to operate for the working life of the detector. The detector should incorporate a warning device to alert the users when its working life is due to expire. Hard wired mains operated carbon monoxide detectors complying with BS EN 50291-1:2010 (Type A) with fixed wiring (not plug in types) may be used as an alternative, provided they are fitted with a sensor failure warning device.

Where carbon monoxide detectors are within the scope of either or both:

- European Directive 2006/95/EC – Low Voltage Directive, and/or
- European Directive 1999/5/EC – Radio and Telecommunication Terminal Equipment Directive

they should be constructed to fully comply with all applicable safety aspects of the Directive(s).

The guidance in this clause takes account of the audibility levels in adjoining rooms and the effect of carbon monoxide moving throughout the building. Carbon monoxide detectors should include an integral sounder.

A carbon monoxide detection system to alert occupants to the presence of carbon monoxide should consist of at least:

- 1 carbon monoxide detector in every space containing a fixed combustion appliance (excluding an appliance used solely for cooking), and
- 1 carbon monoxide detector to provide early warning to high risk accommodation, that is, a bedroom or principal habitable room, where a flue passes through these rooms.

Unless otherwise indicated by the manufacturer, carbon monoxide detectors should be either:

- ceiling mounted and positioned at least 300mm from any wall, or
- wall mounted and positioned at least 150mm below the ceiling and higher than any door or window in the room.

Carbon monoxide detectors in the space containing the combustion appliance should be sited between 1m and 3m from the appliance.

Note: where the combustion appliance is located in a small space it may not be possible to locate the detector within that space. In such circumstances the detector may be located at the appropriate distance outwith the space.

A carbon monoxide detector should not be sited:

- in an enclosed space (for example in a cupboard or behind a curtain)
- where it can be obstructed (for example by furniture)
- directly above a sink
- next to a door or window
- next to an extract fan
- next to an air vent or similar ventilation opening
- in an area where the temperature may drop below -10°C or exceed 40°C, unless it is designed to do so
- where dirt and dust may block the sensor
- in a damp or humid location, or
- in the immediate vicinity of a cooking appliance.

Additional guidance on the siting of carbon monoxide detectors, including enhanced coverage, can be found in BS EN 50292:2002.

The provision of a carbon monoxide detection system should not be regarded as a substitute for the correct installation and regular servicing of a combustion appliance.

3.21 Combustion appliances – air for combustion

Mandatory Standard

Standard 3.21

Every building must be designed and constructed in such a way that each fixed combustion appliance installation receives air for combustion and operation of the chimney so that the health of persons within the building is not threatened by the build-up of dangerous gases as a result of incomplete combustion.

3.21.0 Introduction

All combustion appliances need ventilation to supply them with oxygen for combustion. This air, which must be replaced from outside the dwelling, generally comes from the room in which the combustion appliance is located although many appliances are now located in specially constructed cupboards or appliance compartments. Ventilation of these cupboards or appliance compartments is essential to ensure proper combustion. Ventilation is also needed to ensure the proper operation of flues, or in the case of flueless appliances, to ensure the products of combustion are safely dispersed to the outside air.

Failure to provide adequate replacement air to a room can result in the accumulation of poisonous carbon monoxide fumes.

Conversions - in the case of conversions, as specified in regulation 4, the building as converted shall meet the requirement of this standard (regulation 12, schedule 6).

3.21.1 Supply of air for combustion generally

A room containing an open-flued appliance may need permanently open air vents. An open-flued appliance needs to receive a certain amount of air from outside dependant upon its type and rating. Infiltration through the building fabric may be sufficient but above certain appliance ratings permanent openings are necessary.

Ventilators for combustion should be located so that occupants are not provoked into sealing them against draughts and noise. Discomfort from draughts can be avoided by placing vents close to appliances e.g. floor vents, by drawing air from intermediate spaces such as hallways or by ensuring good mixing of incoming air. Air vents should not be located within a fireplace recess except on the basis of specialist advice. Noise attenuated ventilators may be needed in certain circumstances.

Appliance compartments that enclose open-flued appliances should be provided with vents large enough to admit all the air required by the appliance for combustion and proper flue operation, whether the compartment draws air from the room or directly from outside.

The installation of a mechanical extract system should be checked against the recommendations in clause 3.17.8.

3.21.2 Supply of air for combustion to solid fuel appliances

A solid fuel appliance installed in a room or space should have a supply of air for combustion by way of permanent ventilation either direct to the open air or to an adjoining space (including a sub-floor space) that is itself permanent ventilated direct to the open air. An air supply should be provided in accordance with the following table:

Table 3.16 Supply of air for combustion

Type of appliance	Minimum ventilation opening size [2]
Open appliance without a throat [1]	a permanent air entry opening or openings with a total free area of 50% of the cross-sectional area of the flue.
Open appliance with a throat [1]	a permanent air entry opening or openings with a total free area of 50% of the throat opening area.
Any other solid fuel appliance	a permanent air entry opening or openings with a total free area of 550mm ² for each kW of combustion appliance rated output more than 5kW. (A combustion appliance with an output rating of not more than 5kW has no minimum requirement, unless stated by the appliance manufacturer).

Additional information:

1. THROAT means the contracted part of the flue lying between the fireplace opening and the main flue.
2. Where a draught stabiliser is fitted to a solid fuel appliance, or to a chimney or flue-pipe in the same room as a solid fuel appliance, additional ventilation opening should be provided with a free area of at least 300mm²/kW of solid fuel appliance rated output.
3. Nominal fire size is related to the free opening width at the front of the fireplace opening.

3.21.3 Supply of air for combustion to oil-firing appliances

An oil-firing appliance installed in a room or space should have a supply of air for combustion by way of permanent ventilation either direct to the open air or to an adjoining space which is itself permanently ventilated direct to the open air. This also includes a sub-floor space. However this may not be necessary if it is a room-sealed appliance. An air supply should be provided in accordance with the recommendations in BS 5410: Part 1: 1997 or OFTEC Technical Book 3.

3.21.4 Supply of air for combustion to gas-fired appliances

A gas-fired appliance installed in a room or space should have a supply of air for combustion. An air supply should be provided in accordance with the following recommendations:

- a. BS 5871-3: 2005, for a decorative fuel-effect gas appliance

- b. BS 5871-2: 2005, for an inset live fuel-effect gas appliance
- c. BS 5440-2: 2000, for any other gas-fired appliance.

3.21.5 Flue-less gas heating appliances

Flue-less gas heating appliances obtain the necessary air for combustion and disperse the products of combustion from and to the room or space within which they are located. As condensation could occur when flue-less appliances are used as the only means of heating a room or space then not withstanding BS 5440-2:2000, the appliance standard BS 5871-4: 2007 provides additional installation and ventilation guidance for independent flue-less gas fires, convector heaters and heating stoves with a heat input of not more than 6kW in a domestic building or a commercial building.

3.22 Combustion appliances – air for cooling

Mandatory Standard

Standard 3.22

Every building must be designed and constructed in such a way that each fixed combustion appliance installation receives air for cooling so that the fixed combustion appliance installation will operate safely without threatening the health and safety of persons within the building.

3.22.0 Introduction

In some cases, combustion appliances may need air for cooling in addition to air for combustion. This air will keep control systems in the appliance at a safe temperature and/or ensure that casings remain safe to touch.

Conversions - in the case of conversions, as specified in regulation 4, the building as converted shall meet the requirement of this standard (regulation 12, schedule 6).

3.22.1 Appliance compartments

Where appliances require cooling air, appliance compartments should be large enough to enable air to circulate and high and low level vents should be provided.

3.22.2 Supply of air for cooling to oil-firing appliances

An oil-firing appliance installed in an appliance compartment should have a supply of air for cooling by way of permanent ventilation, in addition to air for combustion, either direct to the open air or to an adjoining space. This also includes a sub-floor space. Air for cooling should be provided in accordance with the recommendations in BS 5410: Part 1: 1997 and in OFTEC Technical Book 3 for an oil-firing appliance located in an appliance compartment.

3.22.3 Supply of air for cooling to gas-fired appliances

A gas-fired appliance installed in an appliance compartment should have supply of air for cooling. Air for cooling should be provided in accordance with the recommendations in BS 5440: Part 2: 2000 for a gas-fired appliance located in an appliance compartment.

3.23 Fuel storage – protection from fire

Mandatory Standard

Standard 3.23

Every building must be designed and constructed in such a way that

- a. an oil storage installation, incorporating oil storage tanks used solely to serve a fixed combustion appliance installation providing space heating or cooking facilities in a building, will inhibit fire from spreading to the tank and its contents from within, or beyond, the boundary
- b. a container for the storage of woody biomass fuel will inhibit fire from spreading to its contents from within or beyond the boundary.

Limitation:

This standard does not apply to portable containers.

3.23.0 Introduction

The guidance on oil relates only to its use solely where it serves a combustion appliance providing space heating or cooking facilities in a building. There is other legislation covering the storage of oils for other purposes. Heating oils comprise Class C2 oil (kerosene) or Class D oil (gas oil) as specified in BS 2869: 2006.

It is considered unlikely that a fire will originate from the stored oil. It is the purpose of this guidance therefore, to ensure that a fire that may originate from a building, or other external source, is not transferred to the tank contents, or if a fire does occur, its effects are limited.

The acceptance of climate change and the environmental policies put in place to mitigate its impact are pushing the commercial introduction of renewable energy technologies to displace the use of fossil fuels and the related combustion emissions of greenhouse gases. Woody biomass can be used as an alternative to fossil fuels and in some EU countries biomass fuel is the principal source of renewable energy for heating applications. The carbon dioxide emitted when biomass is burnt can be considered to be offset by the carbon dioxide absorbed as trees grow. Whilst this does not compensate for the energy used in processing the wood for fuel, the carbon dioxide emissions are considerably less than those of fossil fuels.

The use of woody biomass, in the form of wood chips, wood pellets and logs may offer a viable alternative to fossil fuels, particularly in areas not served by the gas grid, although the supply and distribution of chips and pellets is, as yet, still developing with increasingly more suppliers available.

Information of the different types of woody biomass fuel can be found on the BSD website under: 'Storage of woody biomass fuel for heating equipment' <http://www.scotland.gov.uk/topics/built-environment/building/building-standards>

Conversions - in the case of conversions, as specified in regulation 4, the building as converted shall meet the requirement of this standard (regulation 12, schedule 6).

3.23.1 Separation of oil tanks from buildings and boundaries

Every fixed oil tank with a capacity of more than 90 litres should be located at a distance from a building to reduce the risk of the fuel that is being stored from being ignited if there is a fire in the building. Some fire protection to, or for, the building is required if the oil tank is located close to the building. Further guidance may be obtained from OFTEC Technical Information Sheet TI/136, Fire protection of oil storage tanks.

Precautions should also be taken when an oil storage tank is located close to a boundary. The installation of a tank should not inhibit full development of a neighbouring plot.

Large tanks - an oil tank with a capacity of more than 3500 litres should be located in accordance with the recommendations in BS 5410: Part 2: 1978.

Small tanks - an oil tank with a capacity of not more than 3500 litres should be located in accordance with the following table:

Table 3.17 Location of oil storage tank not more than 3500 litres capacity

Location of tank	Protection recommended	
	Building without openings	Building with openings
Not more than 1.8m from any part of any building	<ul style="list-style-type: none"> • non-combustible base, and • any part of the eaves not more than 1.8m from the tank and extending 300mm beyond each side of the tank must be non-combustible, and either: <ol style="list-style-type: none"> a. any part of a building not more than 1.8m from the tank should be of non-combustible construction type 7, short duration [2], or b. a barrier [1]. 	<ul style="list-style-type: none"> • non-combustible base, and • any part of the eaves not more than 1.8m from the tank and extending 300mm beyond each side of the tank must be non-combustible, and • a barrier between the tank and any part of a building not more than 1.8m from the tank.
More than 1.8m from any building	non-combustible base	
Not more than 760mm from a boundary	<ul style="list-style-type: none"> • non-combustible base, and • a barrier • or a wall with a non-combustible construction type 7, short duration [2] 	
More than 760mm from a boundary	non-combustible base	
Externally, wholly below ground	no protection required	

Additional information:

1. BARRIER means an imperforate, non-combustible wall or screen at least 300mm higher and extending 300mm beyond either end of the tank, constructed so as to prevent the passage of direct radiated heat to the tank.
2. See Section 2, Fire, annex 2.B.1.

3.23.2 Additional fire protection

The fuel feed system from the storage tank to the combustion appliance is also a potential hazard in the event of fire. The fire valve on the fuel feed, should be fitted in accordance with clause 8.3 of BS 5410: Part 1: 1997 and OFTEC Technical Book 3.

Oil pipelines located inside a building should be run in copper or steel pipe. The recommendations of clause 8.2 of BS 5410: Part 1: 1997 should be followed.

Fire can also spread to an oil storage tank along the ground. Provision should therefore be made to prevent the tank becoming overgrown such as a solid, non-combustible base in full contact with the ground. A base of concrete at least 100mm thick or of paving slabs at least 42mm thick that extends at least 300mm beyond all sides of the tank would be appropriate. However, where the tank is within 1m of the boundary and not more than 300mm from a barrier or a wall of non-combustible construction type 7, short duration (see table to Section 2: Fire, annex 2.B.1), the base need only extend as far as the barrier or wall.

3.23.3 Storage within a building

Where a storage tank is located inside a building, additional safety provisions should be made including the following:

- a. the place where the tank is installed should be treated as a place of special fire risk, and
- b. the space should be ventilated to the external air, and
- c. the space should have an outward opening door that can be easily opened without a key from the side approached by people making their escape, and
- d. there should be sufficient space for access to the tank and its mountings and fittings, and
- e. a catchpit as described in the guidance to Standard 3.24.

Guidance on protection from spillage is provided to Standard 3.24.

Further guidance may be obtained from OFTEC Technical Book 3 for garage installations.

3.23.4 Bulk storage of woody biomass fuel

By its very nature woody biomass fuel is highly combustible and precautions need to be taken to reduce the possibility of the stored fuel igniting. To ensure maximum energy from the fuel, all storage should be designed to be damp free and improve or maintain the moisture content of the fuel at time of delivery. To inhibit the spread of fire to their contents, bulk storage for wood fuels should be located in accordance with the following table:

Table 3.18 Bulk storage of woody biomass fuel

Location of container	Protection recommended
External and not more than 1.8m from any part of any building	a. any part of the building eaves not more than 1.8m from the container or storage

Location of container	Protection recommended
	space and extending 300mm beyond each side of the container or storage space should be non-combustible, and b. a barrier [1]
External not more than 1m from any boundary	the container or storage frame should be constructed to have short fire resistance duration to its boundary walls
Within a building	a. separated from the building with internal wall constructions providing short fire resistance duration, type 4 [2], and b. any door to be outward opening providing short fire resistance duration type 6 [2], and c. separated from the building with floor constructions providing short fire resistance duration, type 2 [2], and d. external walls constructed that provide short fire resistance duration type 7 or type 8 [2] as appropriate.

Additional information:

1. BARRIER means an imperforate, non-combustible wall or screen at least 300mm higher than and extending 300mm beyond either end of the container constructed so as to prevent the passage of direct radiated heat.

2. See Section 2, Fire, annex 2.B.1.

Protection for pellets - wood pellets can be damaged during delivery thus producing dust that can cause an explosion and precautions need to be taken to reduce this risk. Once a year any dust that has collected in the store should be removed.

Storage containers for wood pellets, where they are to be pumped from a transporter to the container, should include a protective rubber mat over the wall to reduce the damage to the pellets when they hit the wall. Containers should have an outward opening door incorporating containment to prevent the pellets escaping when the door is opened.

Automated supply - to maintain fire proof storage and prevent back-burning, there should be an interruption to the fuel transport system normally by use of a star-feeder or chute for the fuel to fall into the boiler. The installation should be in accordance with the safety standards described in BS EN 303-5: 1999.

Small installations - delivery of woody biomass fuel in bags would only be economical for small installations such as the suggestion in the guidance to Standard 6.2 for the use of a small woody biomass stove or boiler as secondary heating providing 10% of the annual heating demand. The woody biomass fuel should be stored separately from the boiler that the fuel feeds for fire safety reasons.

3.24 Fuel storage – containment

Mandatory Standard

Standard 3.24

Every building must be designed and constructed in such a way that:

- a. an oil storage installation, incorporating oil storage tanks used solely to serve a fixed combustion appliance installation providing space heating or cooking facilities in a building will: reduce the risk of oil escaping from the installation; contain any oil spillage likely to contaminate any water supply, ground water, watercourse, drain or sewer; and permit any spill to be disposed of safely
- b. the volume of woody biomass fuel storage allows the number of journeys by delivery vehicles to be minimised.

Limitation:

This standard does not apply to portable containers.

3.24.0 Introduction

Oil is a common and highly visible form of water pollution. Because of the way it spreads, even a small quantity can cause a lot of harm to the aquatic environment. Oil can pollute rivers, lochs, groundwater and coastal waters killing wildlife and removing vital oxygen from the water.

Oil is a 'List I' substance within the meaning of the EC Groundwater Directive (80/68/EEC). The UK government is required by this directive to prevent List I substances from entering groundwater and to prevent groundwater pollution by List II substances.

The storage of oil is a controlled activity under the Water Environment (Controlled Activities)(Scotland) Regulations 2005 and will be deemed to be authorised if it complies with The Water Environment (Oil Storage)(Scotland) Regulations 2006. Enforcement is by SEPA.

Explanation of terms

The following terms are included below to provide clarity to their meaning in this Technical Handbook.

Catchpit - means a pit, without a drain, which is capable of containing 110% of the containers storage capacity with base and walls that are impermeable to water and oil.

Integrally banded tank - means a tank together with a catchpit manufactured as a self-contained unit.

Woody biomass fuel is unlikely to be locally sourced, except for chopped firewood, and for large installations is likely to be delivered in bulk. If the storage container is too small, the number of journeys by delivery vehicles will make unnecessary use of diesel fuel. Wood chips tend to be used in large boilers supplying heat to district heating systems rather than to individual houses. Information on woody biomass fuel can be found on

the BSD website under: 'Storage of woody biomass fuel for heating equipment' <http://www.scotland.gov.uk/topics/built-environment/building/building-standards>.

Conversions - in the case of conversions, as specified in regulation 4, the building as converted shall meet the requirement of this standard (regulation 12, schedule 6).

3.24.1 Construction of oil storage tanks

Fixed oil storage tanks between 90 and 2500 litres and the fuel feed system connecting them to a combustion appliance should be strong enough to resist physical damage and corrosion so that the risk of oil spillage is minimised. Tanks should be constructed in accordance with:

- a. the recommendations of BS 799: Part 5: 1987, for a steel tank, or
- b. the recommendations of OFTEC Technical Standard OFS T200, for a steel tank, with or without integral bunding, or
- c. the recommendations of OFTEC Technical Standard OFS T100, for a polyethylene tank with or without integral bunding, or
- d. a European harmonised product standard and assessed by a notified body.

3.24.2 Installation of oil storage tanks

Tanks of more than 2500 litres, and their associated pipework must be installed in accordance with the requirements of Regulation 6 of The Water Environment (Oil Storage) (Scotland) Regulations 2006. Oil storage containers up to 2500 litres serving domestic buildings will be deemed to be authorised if they comply with the building regulations.

Tanks with a capacity of more than 90 litres but not more than 2500 litres and the fuel feed system connecting them to a combustion appliance should be installed in accordance with the recommendations of BS 5410: Part 1: 1997.

Reference should be made to the Scottish Executive Code of Practice, Underground Storage Tanks for Liquid Hydrocarbons (2003/27). This CoP provide guidance on underground and partially buried oil storage tanks. The CoP is currently being updated to be consistent with The Water Environment (Controlled Activities)(Scotland) Regulations 2005 and will be issued by SEPA. SEPA also provide guidance in PPG 27, (Installation, Decommissioning and Removal of Underground Storage Tanks).

Care should be taken to prevent leakage from pipework. Pipework should be run so as to provide the most direct route possible from the tank to the burner. Joints should be kept to a minimum and the use of plastic coated malleable copper pipe is recommended. Pipework should be installed in accordance with the recommendations in BS 5410: Parts 1: 1997 and Part 2:1978 and OFTEC Technical Book 3.

3.24.3 Secondary containment

Externally located, above ground, oil tanks with a capacity of not more than 2500 litres serving a domestic building should be provided with a catchpit or be integrally bunded if subject to any of the hazards described below:

- a. tank located within 10m of the water environment (i.e. rivers, lochs, coastal waters)
- b. tank located where spillage could run into an open drain or to a loose fitting manhole cover
- c. tank within 50m of a borehole or spring

- d. tank over ground where conditions are such that oil spillage could run-off into a watercourse
- e. tank located in a position where the vent pipe outlet is not visible from the fill point
- f. any other potential hazard individual to the site.

OFTEC Technical Book 3 provides a simple and helpful cross check to the above list.

A catchpit or integrally bunded tank should be provided in accordance with the recommendations of OFTEC Standard OFS T100 and OFS T200; and Clause 6.5 of BS 5410: Part 1: 1997.

Secondary containment should also be provided where a tank is within a building or wholly below ground.

3.24.4 Storage containers for solid biomass fuel

In order to best exploit the advantages achieved through the use of woody biomass as low carbon technology it is recommended that wood fuel storage provision is of a size that will ensure bulk deliveries need not be made at intervals of less than 3 months for bulk storage and 6 months for small installations.

Deliveries of wood pellets may be less frequent than deliveries of wood chips because pellets can have 3 times the calorific value of dry wood chips. Alternatively, the storage volume can be smaller for the same energy capacity.

The following table provides recommended size of storage for a variety of different dwelling types that will permit a large enough volume to be delivered whilst minimising vehicle movements. Advice on the sizing of storage for woody biomass fuel for larger buildings is provided in the non-domestic Technical Handbook.

Table 3.19 Bulk woody biomass fuel storage: 100% heating (primary) and DHW

Dwelling size	Wood pellets	Wood chips	Logs - stacked
< 80m ²	1.5m ³	3.5m ³	3m ³
80 -160m ²	2m ³	5m ³	4m ³
> 160m ²	3m ³	6m ³	5m ³

Additional information:

1. The figures in the table relate to deliveries made every 3 months.

The guidance to Standard 6.2 suggests that to achieve the carbon emissions target, designers and developers may use on-site renewable energy technologies to supply up to 10% of the annual heating demand, rather than adopting slightly more demanding insulation standards for walls. A small woody biomass stove or boiler could provide this level of heating.

The following table provides recommended size of storage for secondary heating for a variety of dwelling types:

Table 3.20 Woody biomass fuel storage: secondary heating

Dwelling size	Wood pellets	Wood chips	Logs - stacked
< 80m ²	0.3m ³ (9 bags)	1m ³	0.5m ³

Dwelling size	Wood pellets	Wood chips	Logs - stacked
80 - 160m ²	0.5m ³ (13 bags)	1.5m ³	1m ³
> 160m ²	0.7m ³ (16 bags)	2m ³	1m ³

Additional information:

1. The figures in the table relate to deliveries made every 6 months.

3.25 Solid waste storage

Mandatory Standard

Standard 3.25

Every building must be designed and constructed in such a way that accommodation for solid waste storage is provided which:

- a. **permits access for storage and for the removal of its contents**
- b. **does not threaten the health of people in and around the building, and**
- c. **does not contaminate any water supply, ground water or surface water.**

Limitation:

This standard applies only to a flat or maisonette.

3.25.0 Introduction

Scotland produces large quantities of waste – almost 17 million tonnes in 2010. This comes from a range of sources with household waste accounting for 2.8 million tonnes. The revised EU Waste Framework Directive establishes the legislative framework for handling of waste in the European Union. The Directive lays down that Member States must have a National Waste Management Plan, or Plans.

In June 2010 the Scottish Government launched its Zero Waste Plan which set out actions to deliver important changes to how Scotland treats and manages waste. The plan includes a 70% recycling rate for household and all other waste streams by 2025. The Waste (Scotland) Regulations 2012 provide statutory measures to support delivery of the zero waste agenda by requiring, amongst other aspects, separate collection and treatment of waste.

The Environmental Protection Act, 1990 gives powers to the waste collection authority to stipulate the type and number of containers to be used. The Act also empowers the waste collection authority to designate a collection point for removal of the waste and this is normally at the curtilage of the dwelling. Under the Zero Waste Plan local authorities are required to provide householders with separate collection services for dry recyclables (glass, metals, plastics, paper and card) by the end of 2013 and for food waste by the end of 2015.

Currently local authorities meet their obligations in different ways and designers need to be aware of these local initiatives and make suitable provision in their designs.

Flats and maisonettes generally have communal storage with the associated risks to health and the environment.

Conversions - in the case of conversions, as specified in regulation 4, the building as converted shall meet the requirement of this standard (regulation 12, schedule 6).

3.25.1 Solid waste storage point

Every flat and maisonette should be provided with a solid, washable hard-standing large enough to accommodate a waste container (or containers) such as a wheeled bin or some other container as specified by the waste collection authority. The hard-standing and access to the contents of the container should be readily accessible to allow removal.

3.25.2 Enclosed storage

Where enclosures, compounds or storage rooms are provided they should allow space for filling and emptying and provide a clear space of at least 150mm between and around the containers. Communal enclosures with a roof that are also accessible to people should be at least 2m high while individual enclosures of wheeled bins only need to be high enough to allow the lid to open.

3.25.3 Solid waste collection point

The hard-standing may be a collection point designated by the waste collection authority where the container can be removed or emptied. If the hard-standing is not the collection point then there should be an accessible route along which the container can be transported to the collection point. Over a short distance in an urban area it would be reasonable to use the access to the flat or maisonette. Over longer distances in the country, the container could be dropped off at the collection point using a vehicle as is normal for farms.

3.25.4 Provision for washing down

Where communal solid waste storage is located within a building, such as where a refuse chute is utilised, the storage area should have provision for washing down and draining the floor into a wastewater drainage system. Gullies should incorporate a trap that maintains a seal even during periods of disuse. Walls and floors should be of an impervious surface that can be washed down easily and hygienically. The enclosures should be permanent ventilated at the top and bottom of the wall.

3.25.5 Security against vermin

Any enclosure for the storage of waste should be so designed as to prevent access by vermin unless the waste is to be stored in secure containers with close fitting lids, such as wheeled bins. The enclosure should not permit a sphere of 15mm diameter to pass through at any point.

3.26 Dungsteads and farm effluent tanks

Mandatory Standard

Standard 3.26

Every building must be designed and constructed in such a way that there will not be a threat to the health and safety of people from a dungstead and farm effluent tank.

3.26.0 Introduction

Silage effluent is the most prevalent cause of point source water pollution from farms in Scotland. A high proportion of serious pollution incidents occur each year through failure to contain or dispose of effluent satisfactorily.

Collection, storage and disposal of farm effluent and livestock wastes are all stages when pollution can occur. These materials are generally classified by type of stock and physical form. This may be solid, semi-solid or liquid. Solids are stored in dungsteads that must be properly drained and the effluent collected in a tank while liquids are stored in tanks above or below ground. The container must be impermeable.

The guidance to this standard should not be read in isolation. Appropriate sections of other legislation, such as the Control of Pollution (Silage, Slurry and Agricultural Fuel Oil) (Scotland) Regulations 2003 and The Water Environment (Controlled Activities) (Scotland) Regulations 2011, as amended would also normally require to be met. The Scottish Environmental Protection Agency is the body responsible for enforcing these environmental regulations and further information may be obtained from their website www.sepa.org.uk [<http://www.sepa.org.uk>].

The Code of Good Practice for the Prevention of Environmental Pollution from Agricultural Activity is a practical guide for farmers, growers, contractors and others involved in agricultural activities, on whom there is a statutory obligation to avoid causing pollution to the environment. The Code provides helpful guidance on the planning, design, construction, management and land application of slurries and silage effluent that can give rise to pollution of water, air or soil environments.

Explanation of terms

The following terms are included to provide clarity to their meaning in this Technical Handbook.

Dungstead means a permanent storage facility for all farmyard manures including solid and semi-solid animal excreta. The construction should allow for any liquid to be contained within the store or be allowed to seep out for collection in a leak-proof storage tank.

Farm Effluent Tank means a leak-proof storage facility for liquid animal excreta (slurry), dirty water (water contaminated with slurry) and silage effluent that is of a consistency that allows it to be pumped or discharged by gravity at any stage of the handling process.

Conversions - in the case of conversions, as specified in regulation 4, the building as converted shall meet the requirement of this standard (regulation 12, schedule 6).

3.26.1 Construction of dungsteads and farm effluent tanks

Every dungstead or farm effluent tank, including a slurry or silage effluent tank should be constructed in such a manner so as to prevent the escape of effluent through the structure that could cause ground contamination or environmental pollution.

The construction should also prevent seepage and overflow that might endanger any water supply or watercourse.

3.26.2 Location of dungsteads and farm effluent tanks

Every dungstead or farm effluent tank, including a slurry or silage effluent tank should be located at a distance from a premises used wholly or partly for the preparation or

consumption of food so as not to prejudice the health of people in the food premises. The dungstead or farm effluent tank should be located at least 15m from the food premises.

3.26.3 Safety of dungsteads and farm effluent tanks

Where there is the possibility of injury from falls, a dungstead or farm effluent tank should be covered or fenced to prevent people from falling in. Covers or fencing should be in accordance with the relevant recommendations of Section 8 of BS 5502: Part 50: 1993.

3.27 Water efficiency

Mandatory Standard

Standard 3.27

Every building must be designed and constructed in such a way that sanitary facilities with water efficient fittings which are designed for the prevention of undue consumption of water are installed.

Limitation:

This standard applies only to a dwelling.

3.27.0 Introduction

Using less water saves energy and reduces Carbon Dioxide (CO₂) emissions. This is achieved by reducing the energy that is used in key areas including:

- treating water to a standard suitable for drinking
- distribution of water to homes
- collection and pumping of generated wastewater
- treatment of the wastewater generated
- heating of water for health and hygiene

Scottish Water estimate that the average consumption of wholesome water per person in Scotland is around 150 litres per day. Water consumption has increased over the last few decades and is projected to continue to rise. Around 30% of the average household's heating bills are spent on heating water for sanitary, health or hygiene purposes. Therefore the provision of sanitary appliances and fittings that use water more efficiently can assist in the reduction of associated carbon emissions and the home owner's energy costs.

The Scottish Water Byelaws set requirements which must be adhered to in all properties that have a public water supply. They cover the design, installation and maintenance of plumbing systems, water fittings and water-using appliances. Scottish Water now require all new industrial or commercial buildings to be metered. Meters may also be installed in dwellings if requested.

Further information on water efficiency and related carbon emission savings can be found on the websites of Scottish Water, Waterwise and the Energy Saving Trust.

Conversions - in the case of conversions, as specified in regulation 4, the building as converted shall meet the requirement of this standard (regulation 12, schedule 6).

3.27.1 Water use

Water is used for various purposes within a dwellings. The national independent organisation 'Waterwise' advise that the daily percentage of demand in key use areas of the total supplied water for dwellings to be as follows:

WC Flushing	Baths and taps	Laundry	Showers	Drinking and other	Washing up	External
30%	21%	13%	12%	9%	8%	7%

The actual water used within a dwellings will be influenced by both the behaviour of the occupants in how they use the sanitary facilities and associated water fittings and also the volume of water discharged from them. Therefore, controlling the volume of water discharged from sanitary facilities and fittings should contribute to reducing the use of water.

Efficiency measures can be applied to most sanitary facilities with varying degrees of benefits. For certain sanitary facilities reducing the water use will be related to its function. For example a bath is generally filled to a water level that suits the occupant and therefore controlling water flow from taps to that facility would only serve to extend the amount of time taken to fill the bath.

Most WCs produced today are now of the dual flush type which give users the option of a reduced flush, generally for liquid waste or a full flush for solid waste. The flush volume will generally be achieved through the valve mechanism of the WC cistern.

To reduce the water flow rates at taps for wash or hand rinse basins (WHBs) options include the installation of flow restrictors, or aerators. These may be fitted in either the water supply pipes serving the sanitary facilities or incorporated within the tap components.

3.27.2 Water efficient fittings

Water efficient fittings should be provided to all WCs and WHBs within a dwelling.

Dual flush WC cisterns should have an average flush volume of not more than 4.5 litres. Single flush WC cisterns should have a flush volume of not more than 4.5 litres.

Taps serving wash or hand rinse basins should have a flow rate of not more than 6 litres per minute.

Many bathroom and fittings manufacturers are now using the latest technology to offer comprehensive portfolios of water efficient products that deliver satisfactory performance. Further guidance and comparison of water efficient appliances and fittings for the industry can be obtained from schemes such as the water efficient product labelling scheme from the Bathroom Manufacturers Association.

When specifying water efficient fittings consideration should be given to the operational flow rates that some heating or hot water appliances, such as combination boilers, need to activate their water heating function.

When installing low volume flush WCs, the pipe diameter, discharge and gradient inter-relationship of the drainage system is critical in order that the new and any existing sections of the drain operate as intended.

Plumbing and associated water installations should be carried out and commissioned by persons who possess sufficient technical knowledge, relevant practical skills and experience for the nature of the work undertaken.

An approved Certifier of Construction, who has been assessed to have the professional skills and relevant experience, can certify compliance of plumbing, heating or drainage installations.

Safety

4.0 Introduction

4.0.1 Background

Safety has been defined by the International Standards Organisation as 'a state of freedom from unacceptable risks of personal harm'. This recognises that no activity is absolutely safe or free from risk. No building can be absolutely safe and some risk of harm to users may exist in every building. Building standards seek to limit risk to an acceptable level by identifying hazards in and around buildings that can be addressed through the Building (Scotland) Regulations.

Deaths and serious injury to people in and around buildings occur in significant numbers from accidents involving falls, collisions, entrapment, scalding, electrocution or malfunction of fittings. Designers need to consider all aspects of design carefully to minimise risks inherent in any building.

Not all issues relating to good practice are covered in this Technical Handbook. Publications by organisations including the Royal Society for Prevention of Accidents (RoSPA) <http://www.rospa.com/> may offer further information relevant to the safety of occupants of, and visitors to, buildings.

Accessibility - buildings should be designed to consider safety and the welfare and convenience of building users. An inclusive environment is one within which everyone, regardless of age, disability or circumstance, can make use of facilities safely, conveniently and without assistance to the best of their ability. Buildings that consider future flexibility of use also contribute to the creation of a more sustainable housing stock, simplifying alterations. This can allow people to remain longer in their home, through changing circumstances, with the minimum of disruption and inconvenience.

The guidance in this section, together with the guidance in Section 3, Environment relating to accessibility, has been based around, and developed from, issues that are included in 'Housing for Varying Needs' and the Lifetime Homes concept developed by the Joseph Rowntree Foundation.

Access statements - many designers and developers are familiar with the use of an access statement as a means of assisting in the delivery of more inclusive buildings. This records how access issues have been considered and developed from project inception, through all stages of development, through to the final use of a building.

Where design proposals vary from guidance within this Handbook or, in the case of a conversion where a standard is to be met as far as is reasonably practicable, relevant information extracted from a project access statement may assist in determining compliance.

Security - a dwelling that is safe and secure provides a positive contribution to the quality of life of its occupants and contributes to the delivery of a more sustainable community. Introducing basic measures to improve security can make unlawful entry into dwellings physically more difficult and ensure the safety and welfare of occupants.

4.0.2 Aims

The intention of this section is to give recommendations for the design of buildings that will ensure access and usability, reduce the risk of accident and unlawful entry. The standards within this section:

- ensure accessibility to and within buildings and that areas presenting risk through access are correctly guarded, and
- reduce the incidence of slips, trips and falls, particularly for those users most at risk, and
- ensure that electrical installations are safe in terms of the hazards likely to arise from defective installations, namely fire and loss of life or injury from electric shock or burns, and
- prevent the creation of dangerous obstructions, ensure that glazing can be cleaned and operated safely and to reduce the risk of injury caused by collision with glazing, and
- safely locate hot water and steam vent pipe outlets, and minimise the risk of explosion through malfunction of unvented hot water storage systems and prevent scalding by hot water from sanitary fittings, and
- ensure the appropriate location and construction of storage tanks for liquefied petroleum gas, and
- ensure that windows and doors vulnerable to unlawful entry are designed and installed to deter house breaking.

4.0.3 Latest changes

The following is a summary of the changes that have been introduced since 1 October 2015.

- **Standard 4.14** - Introduction of a new standard and supporting guidance covering the provision of in-building physical infrastructure to facilitate the installation of high-speed electronic communications networks.
- **Appendix A** - Additional defined terms added. Most of these new terms are as defined within Article 2 of EU Directive 2014/61/EU.

4.0.4 Relevant legislation

Listed below are some pieces of legislation that may be relevant and/or helpful to those using the guidance in this particular section.

The Electricity Safety, Quality and Continuity Regulations 2002 defines the duties of any party supplying electricity to premises with regard to matters such as supply, equipment, protection and provision of earthing.

The Gas Safety (Installations and Use) Regulations 1998 require that any person who installs, services, maintains, removes, or repairs gas fittings must be competent. It covers not only materials, workmanship, safety precautions and testing of gas fittings but also the safe installation of all aspects of gas-fired combustion appliance installations.

4.0.5 Certification

Scottish Ministers can, under Section 7 of the Building (Scotland) Act 2003, approve schemes for the certification of design or construction for compliance with the mandatory functional standards. Such schemes are approved on the basis that the procedures adopted by the scheme will take account of the need to co-ordinate the work of various designers and specialist contractors. Individuals approved to provide certification services under the scheme are assessed to ensure that they have the qualifications, skills and experience required to certify compliance for the work covered by the scope of the

scheme. Checking procedures adopted by Approved Certifiers will deliver design or installation reliability in accordance with legislation.

The certification of construction (electrical installations to BS 7671) scheme has been approved by Scottish Ministers to confirm compliance with relevant standards in Section 4. <http://www.scotland.gov.uk/topics/built-environment/building/building-standards>.

4.1 Access to buildings

Mandatory Standard

Standard 4.1

Every building must be designed and constructed in such a way that all occupants and visitors are provided with safe, convenient and unassisted means of access to the building.

Limitation:

There is no requirement to provide access for a wheelchair user to:

- a. a house, between either the point of access to or from any car parking within the curtilage of a building and an entrance to the house where it is not reasonably practicable to do so, or
- b. a common entrance of a domestic buildings not served by a lift, where there are no dwellings entered from a common area on the entrance storey.

4.1.0 Introduction

An inclusive approach to design should be taken to ensure that buildings are as accessible to as wide a range of people as possible. Solutions should be integral to a design rather than an afterthought added in order to meet duties under building standards or other legislation.

Inclusive design is not just relevant to buildings. It applies throughout any internal or external environment, wherever people go about everyday activities. It should be a continuous process, through all stages of the development of a building and involve potential users. Advice on this topic is available in the joint BSD/Scottish Executive Planning Division Planning Advice Note PAN 78: 'Inclusive Design' which promotes the merits of an inclusive approach to the design of the built environment.

Whilst the guidance to this standard reflects general good practice, certain issues remain outwith the scope of the building regulations. There are numerous publications offering additional guidance on accessibility and inclusive design, including those listed below:

- BS 8300: 2009 – 'Design of buildings and their approaches to meet the needs of disabled people – code of practice'
- Housing for Varying Needs, Parts 1 & 2 - Communities Scotland
- 'Inclusive Mobility' – Department of Transport, 2002
- 'Guidance on the Use of Tactile Paving Surfaces', published jointly by The Scottish Office and the Department for the Environment, Transport and the Regions (DETR).

Conversions - in the case of conversions, as specified in regulation 4, the building as converted shall meet the requirements of this standard in so far as is reasonably practicable, and in no case be worse than before the conversions (regulation 12, schedule 6).

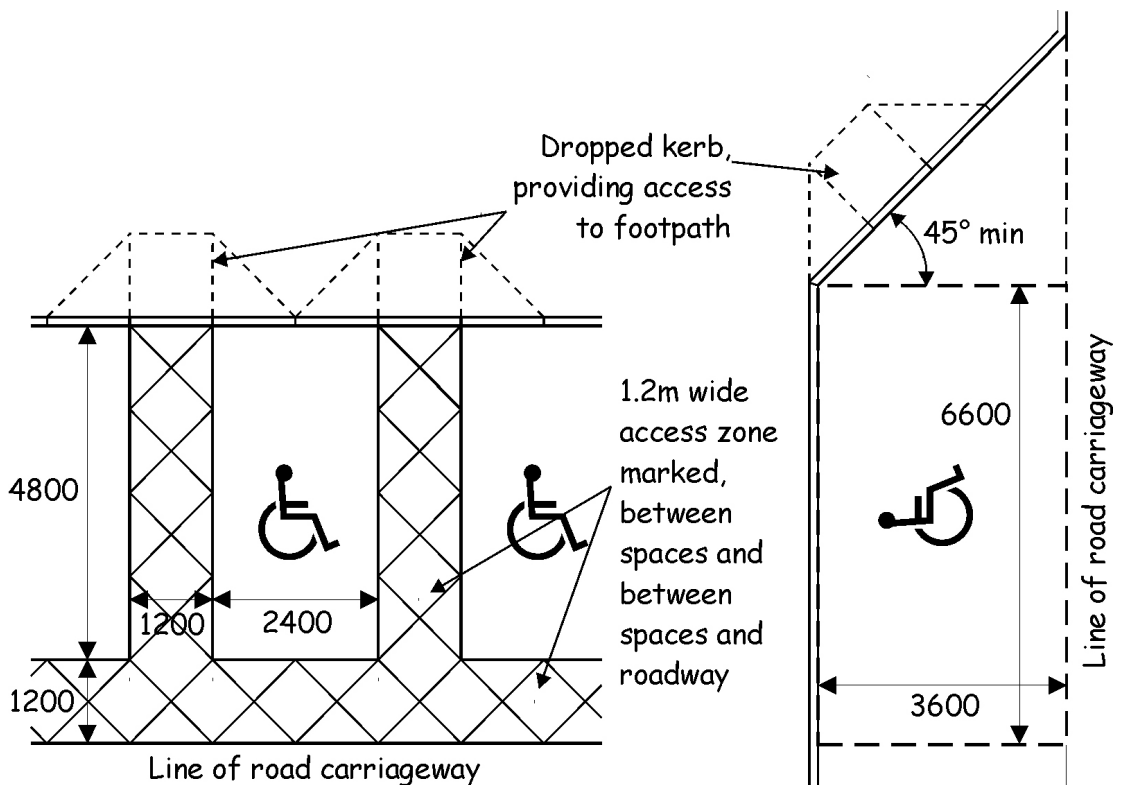
4.1.1 Accessible car parking to flats or maisonettes

The need for car parking serving a domestic buildings will commonly be determined by a developer and may also be a condition of planning permission. Where car parking is provided within the curtilage of a building containing flats or maisonettes, it should include accessible spaces.

A proportion of car parking spaces should be designed to be accessible to a person with mobility impairment, including a wheelchair user, and designated for use as such. These parking spaces should be:

- a. provided on a ratio of at least 1 per 20 parking spaces, or part thereof, and
- b. located on a road surface that is level (with a gradient of not more than 1 in 50), and
- c. not more than 45m from a common entrance, and
- d. clearly marked with the international symbol of access, and
- e. provided with a dropped kerb access to an accessible route, and
- f. where perpendicular or at an angle to a road, at least 4.8m long x 2.4m wide, outwith which a delineated access zone at least 1.2m wide to each long side and between the end of the bay and any road is shown, or
- g. where parallel to a road, at least 6.6m long by 3.6m wide, as shown below.

Figure 4.1 Off- and on-street accessible car parking



4.1.2 Car parking within the curtilage of a dwelling

Where car parking is provided within the curtilage of a dwelling, a person should be able to alight from a vehicle directly onto the firm surface of an accessible route to the dwelling.

Where a driveway or car parking space forms part of an accessible route to a dwelling, it should be at least 3.3m wide to allow a 900mm wide pedestrian route past a parked car. That portion of the driveway surface should be in accordance with the recommendations in clause 4.1.4.

4.1.3 Accessible routes

Regardless of how they arrive within the curtilage of a building, a person should then be able to travel conveniently and without assistance to an entrance of a building. Routes to a building that are too steep, too narrow or poorly surfaced, or that contain steps or other obstructions, will make access difficult or impossible for many people. To prevent this, a route to an entrance should be provided that is accessible to everyone.

An accessible route should contain no barriers, such as kerbs, steps or similar obstructions that may restrict access. Street furniture can present a hazard, particularly to a wheelchair user or a person with a visual impairment and should be located outwith the width of an accessible route. Use of low-level bollards or chain-linked posts, for example, can be particularly hazardous.

There should be an accessible route to the accessible entrance of a single dwelling from:

- a road, and
- any car parking within the curtilage of the dwelling.

There should be an accessible route to the common entrance of a building containing flats or maisonettes and to an accessible entrance of any dwelling not reached through a common entrance, from:

- a road, and
- any accessible car parking (see clause 4.1.1) within the curtilage of the building.

Gradient of accessible route - as steeper gradients are more difficult to negotiate, level or gently sloping routes should be used where possible, in preference to ramps. An accessible route should be:

- level, which for the purpose of this guidance is a gradient of not more than 1 in 50, or
- gently sloping, which for the purpose of this guidance is a gradient of more than 1 in 50 and not more than 1 in 20, or
- ramped, with a gradient of more than 1 in 20 and not more than 1 in 12

The cross-fall on any part of an accessible route should not exceed 1 in 40.

Gently sloping gradients should be provided with level rest points of not less than 1.5m in length, at intervals dependent on the gradient of the sloping surface. This should follow the same relationship given for ramp flights, e.g. up to 20m apart for a slope of 1 in 30, 30m for a slope of 1 in 40 and so on.

Recommendations for ramps are provided in the guidance to Standard 4.3.

Complementary steps - ramps are not necessarily safe or convenient for an ambulant person with mobility impairment, and can be more difficult and dangerous to negotiate than steps. Therefore, on a route serving more than 1 dwelling, any ramped access, having a rise of more than 300mm, should be complemented by an alternate, stepped means of access.

There may be stepped access to a route serving a single house where it is not reasonably practicable to construct an accessible route, such as on a steeply sloping site. As a guideline, if a ramp to an accessible entrance can be formed within the curtilage of the dwelling with one change in direction between the bottom of the ramp and the top landing, access should be considered reasonably practicable.

Where an accessible route cannot be provided from a road, it may still be practicable to construct an accessible route by providing a car parking space within the curtilage of the dwelling. It is only where it is not reasonably practicable to construct an accessible route from either a road or from car parking within the curtilage of the dwelling that a stepped access solution may be proposed.

4.1.4 Surface to accessible routes

For safety and convenience in use, the surface of an accessible route should be firm, uniform and of a material and finish that will permit ease in manoeuvring. It should provide a degree of traction that will minimise the possibility of slipping. This should take into account both anticipated use and environmental conditions.

The surface of an accessible route, whether composed of modular paving units, formless materials such as tarmac, or another durable material, should have a profile that will not offer a trip hazard or result in standing water. It should be installed in accordance with a code of practice relevant to the material, where such exists.

Surface elements such as drainage gratings and manhole covers should be of a type that will not create a trip or entrapment hazard. Uneven surfaces, such as cobbles, or loose-laid materials, such as gravel, will present difficulties to many people and should not be used.

Tactile paving - at a location where the footpath is level with a road surface, such as at a dropped kerb, tactile paving should be used to provide warning to a person with a visual impairment of the presence of a vehicular route. This need not apply to a route within the curtilage of a single dwelling. Information on use of tactile paving on footpaths is given in 'Guidance on the Use of Tactile Paving Surfaces'.

4.1.5 Length of accessible routes

The longer a pedestrian route, the greater difficulty it can present to many people. Therefore, in addition to minimising gradients where possible, as recommended in clause 4.1.3, the length of an accessible route to an accessible entrance of a building should be limited to 45m.

4.1.6 Width of accessible routes

The width of a pedestrian route to a building should reflect how it will be used. For example, most public footpaths are at least 1.8m wide, which allows two-way traffic under most circumstances.

The clear and unobstructed surface width of an accessible route should generally be at least 1.8m, unless:

- giving access to not more than 10 dwellings, where the minimum surface width may be not less than 1.2m. This will accommodate any person where traffic is in a single direction of travel. To allow for passing, localised widening of any route less than 1.8m wide to at least 1.8m should be made at any junction and change of direction and, where the whole length of the route is not visible, also at not more than 10m intervals along the route, or
- giving access to a single dwelling, where effective width may be not less than 900mm, recognising reduced levels of traffic.

On an accessible route serving more than one dwelling, a level footpath of not less than 1.0m in width should be maintained to the rear of the slope of any dropped kerb.

Any gate across an accessible route should offer a clear opening width of at least 850mm.

4.1.7 Accessible entrances

Each common entrance to a domestic buildings and at least one entrance to a dwelling should be an accessible, designed to present as little restriction to passage as possible.

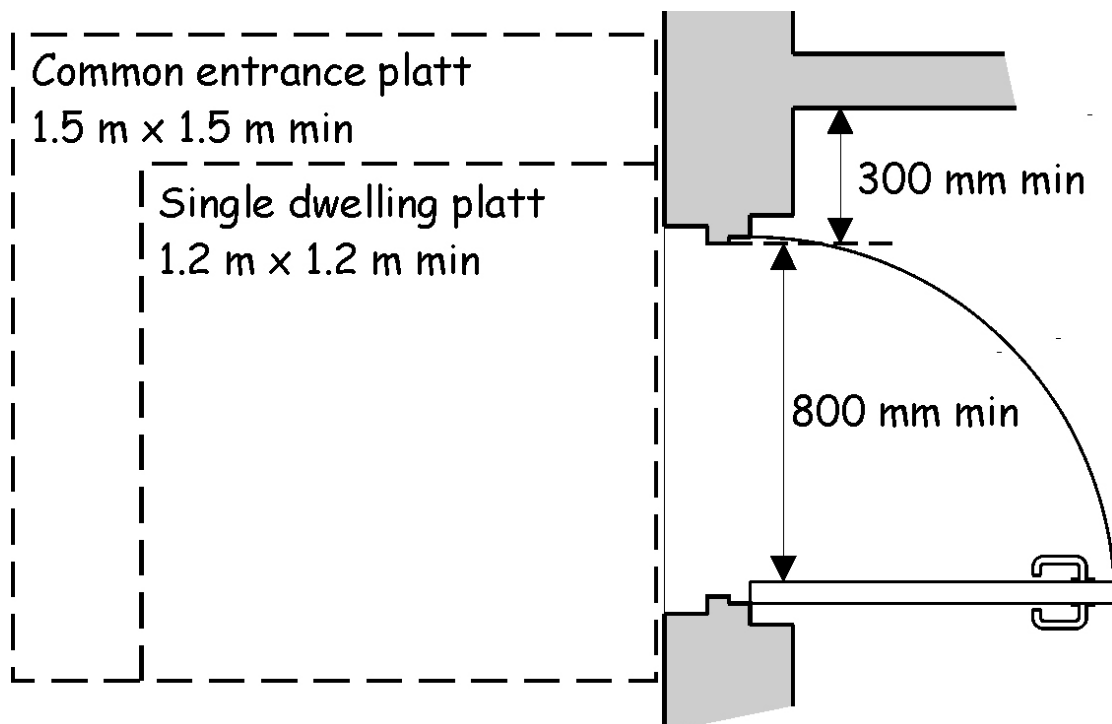
Whilst an accessible entrance to a house is commonly the front or main entrance, an alternate entrance may be designated as the accessible entrance where this provides a more convenient or practical route into the dwelling.

An accessible entrance to a building should:

- have an unobstructed entrance platt of at least 1.2m by 1.2m, with a crossfall of not more than 1 in 50, if required to prevent standing water, and
- have a means of automatic illumination above or adjacent to the door, and
- have an accessible threshold, and
- have a door leaf giving a clear opening width of at least 800mm in accordance with the diagram below, and
- if fitted with a door closing device, be operable with an opening force of not more than 30N (for first 30° of opening) and 22.5N (for remainder of swing) when measured at the leading edge of any door leaf, and
- if not a powered door, have an unobstructed space to the opening face of the door, next to the leading edge, of at least 300mm.

However where there is not an accessible route to a single house, the guidance in sub clauses (a) and (c) above need not be followed.

Figure 4.2 Accessible entrance door



Clear opening width - the projection of ironmongery which extends across the width of a door leaf, such as an emergency push bar for escape or a horizontal grab rail, should be subtracted when calculating the clear opening width.

4.1.8 Common entrances

In addition to the recommendations in clause 4.1.7, a common entrance to a domestic buildings should have:

- a. an unobstructed entrance platt, measuring at least 1.5m by 1.5m, with a crossfall of not more than 1 in 50 if required to prevent standing water, and
- b. a canopy, recessed entrance or similar means of protecting people entering the building from exposure to the elements, and
- c. a glazed vision panel, as described below, and
- d. a door entry system.

Weather protection - the form that weather protection should take will vary with location and exposure of the building. However an example of minimum provision might be a canopy or recess, 750mm deep, across the width of the entrance platt, with an underside not more than 2.3m above entrance level. It is recognised that there are circumstances where provision of weather protection may not be practicable or may be constrained by other permissions.

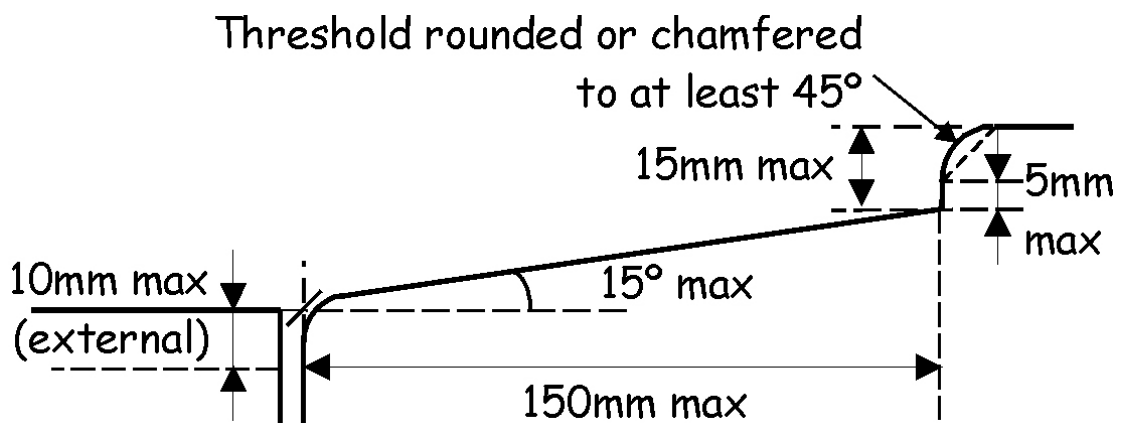
Glazed vision panels - to assist in preventing collisions, a clear glazed vision panel or panels to a door should give a zone of visibility from a height of not more than 500mm to at least 1.5m above finished floor level. This may be interrupted by a solid element between 800mm and 1.15m above floor level. A vision panel is not needed to a powered door controlled by automatic sensors or where adjacent glazing offers an equivalent clear view to the other side of a door.

Guidance relevant to specific door types such as revolving doors or powered doors is given in the non-domestic Technical Handbook.

4.1.9 Accessible thresholds

To be accessible, a door should not present unnecessary barriers to use, such as a step or raised profile at a threshold that might present difficulties to a wheelchair user or be an entrapment or trip hazard to an ambulant person, whether or not using a walking aid.

Figure 4.3 Generic threshold profile



An accessible threshold should meet the following criteria:

- thresholds should be designed to prevent the ingress of rain. Details in the DETR publication 'Accessible Thresholds in New Housing' gives guidance on how this might be achieved
- externally, the surface of the platt should be not more than 10mm below the leading edge of any sill, with any exposed edge chamfered or rounded
- an external sill or internal transition unit should be at an angle of not more than 15° from the horizontal and, if sloping, be not more than 150mm in length
- the threshold should either be level or of a height and form that will neither impede unassisted access by a wheelchair user nor create a trip hazard. A threshold piece should have a height of not more than 15mm, with any vertical element of more than 5mm height being pencil-rounded or chamfered to an angle of not more than 45° from the horizontal
- if the finished internal floor level is more than 15mm below the top of the threshold, an internal transition unit, of not more than 15° to the horizontal, finishing not more than 5mm above the internal floor surface may be used, in accordance with the guidance above. In new buildings, this should normally only be needed to allow flexibility in subsequent fitting of differing thickness of floor coverings.

4.1.10 Alteration and extension

Where a dwelling is altered or extended, this work should not adversely affect an existing accessible entrance.

Where a dwelling does not have an accessible entrance, one need not be provided to the existing dwelling, or to the extension, as this will not result in the building failing to meet the standard to a greater degree.

Where an accessible entrance exists, any works should ensure that the existing entrance remains accessible. If this is not possible, a new accessible entrance should be provided elsewhere into the dwelling. Such an entrance should also maintain accessibility within the dwelling, as set out in guidance to Standard 4.2.

4.2 Access within buildings

Mandatory Standard

Standard 4.2

Every building must be designed and constructed in such a way that:

- a. in non-domestic buildings, safe, unassisted and convenient means of access is provided throughout the building
- b. in residential buildings, a proportion of the rooms intended to be used as bedrooms must be accessible to a wheelchair user
- c. in domestic buildings, safe and convenient means of access is provided within common areas and to each dwelling
- d. in dwellings, safe and convenient means of access is provided throughout the dwelling, and
- e. in dwellings, unassisted means of access is provided to, and throughout, at least one level.

Limitation:

There is no requirement to provide access for a wheelchair user:

- a. in a non-domestic building not served by a lift, to a room, intended to be used as a bedroom, that is not on an entrance storey, or
- b. in a domestic building not served by a lift, within common areas and to each dwelling, other than on an entrance storey.

4.2.0 Introduction

Circulation areas within a building should allow occupants to move around freely and without difficulty, to the best of their ability. Lack of space can make movement around a building difficult for many people and hamper activities such as carrying or moving large items.

The design process should consider how the building can be used by as wide a range of people as possible, including use by a person in a wheelchair, though it is recognised that this may not be to the optimum standard that can be achieved within purpose-built dwellings.

Improvement to circulation within dwellings under this standard, together with the provision, on one level, of an enhanced apartment, and kitchen (Standard 3.11) and accessible sanitary accommodation (Standard 3.12) will assist in creating more sustainable homes.

Whilst the guidance to this standard reflects general good practice, certain issues remain outwith the scope of the building regulations. There are numerous publications offering additional guidance on accessibility and inclusive design, including those listed below:

- BS 8300: 2009 – ‘Design of buildings and their approaches to meet the needs of disabled people – code of practice’

- Housing for Varying Needs, Parts 1 & 2 – Communities Scotland.

Conversions - in the case of conversions, as specified in regulation 4, the building as converted shall meet the requirements of this standard in so far as is reasonably practicable, and in no case be worse than before the conversion (regulation 12, schedule 6).

4.2.1 Horizontal circulation in common areas of domestic buildings

The common areas of domestic buildings containing flats or maisonettes, though secured against unauthorised entry, remain in effect a public or shared area. As an enclosed space, it is important that provisions made on the approach to the building are maintained within these areas.

There should be level or ramped access within the common areas of a domestic building:

- from a common entrance to the entrance of any dwelling or communal facilities on the entrance storey and to any passenger lift, and
- where a passenger lift is installed, from the passenger lift to any dwelling and to any communal facilities on an upper storey.

Circulation routes within common areas should allow safe and convenient passage and provide space for manoeuvring at junctions and when passing through doorways. All corridors therefore should have a minimum width of at least 1.2m.

To allow manoeuvring space for both people and furniture, routes should be widened locally, at changes of direction, junctions and at the landing of any lift, to accommodate, clear of any obstruction, a 1.5m turning circle.

Obstructions - other than on a wall opposite a doorway, or in the areas noted above, an obstruction such as a radiator may project up to 100mm, reducing corridor width to not less than 1.1m, over a maximum length of 900mm.

Gently sloping surfaces - within a building, unidentified gradients may disorient building users and the need for gently sloping surfaces on circulation routes should be considered carefully before use. Level rest points on gently sloping routes should be provided as recommended in clause 4.1.3. Where not extending across the full width of a room or corridor, guarding should be provided to any exposed edge of such an area as for a ramp flight, as noted in the guidance to Standard 4.4.

4.2.2 Floor surfaces in common areas of domestic buildings

Floor surfaces within common areas should be uniform, permit ease in manoeuvring and be of a material and finish that, when clean and dry, will provide a level of traction that will minimise the possibility of slipping.

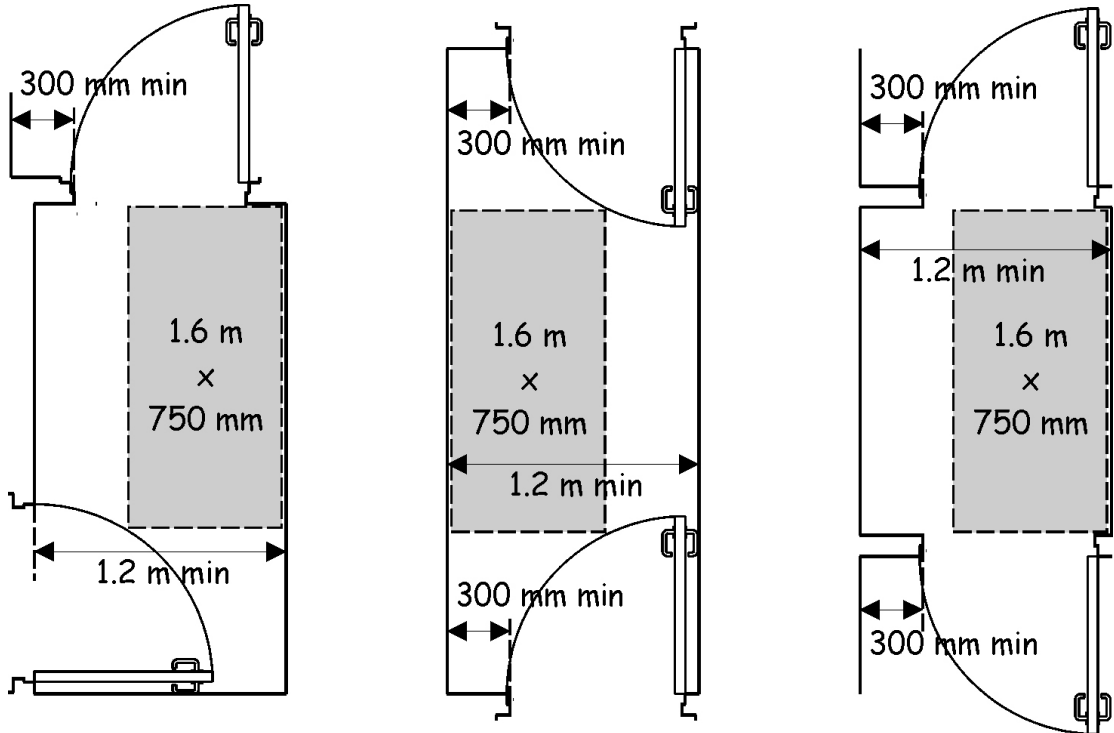
Where there is a change in the characteristics of materials on a circulation route, such as from a tile to carpet finish, transition should be level and, where reasonably practicable, differing surfaces should contrast visually to identify the change in material and reduce the potential for trips.

4.2.3 Lobbies in common areas of domestic buildings

Use of a lobby can reduce the effect of external conditions on the interior of a building and may also contribute to fire safety. However where two sets of doors are in close proximity, this can present a hazard and a potential barrier to access.

Any lobby at the entrance to or within the common areas of a domestic building should allow a person to pass through whilst remaining clear of the swing of doors. A rectangular area, outwith any door swing, of at least 1.6m long by 750mm wide will permit safe passage of, for example, a person in a wheelchair and a companion.

Figure 4.4 Accessible lobby dimensions



Where either door can be secured by a locking device, a lobby should be not less than 1.5m wide. This will permit a wheelchair or pram to be turned around should passage be denied.

4.2.4 Doors within common areas of a domestic building

Doors within the common areas of a domestic building should present as little restriction to passage as practicable and be constructed in a manner that does not present a hazard or a potential barrier to access.

A door located within the common areas of a domestic building should:

- a. if fitted with a threshold, have an accessible threshold, and
- b. have a door leaf giving a clear opening width in accordance with the table below, and
- c. where across a circulation route or giving access to communal facilities, have a glazed vision panel in any opening leaf, as described in clause 4.1.8, and
- d. have a door leaf that, if fitted with a door closing device, be operable with an opening force of not more than 30N (for first 30° of opening) and 22.5N (for remainder of swing) when measured at the leading edge of the leaf, and
- e. if not a powered door, have an unobstructed space to the opening face of the door, next to the leading edge, of at least 300mm.

Table 4.1 Width of doors

Minimum corridor width at door (mm)	Minimum clear opening width (mm) [1]
1500	800
1200	825 [2]
900 [3]	850 [2]

Additional information:

1. The projection of any ironmongery that extends across the width of a door leaf, such as an emergency push bar to a fire exit or horizontal grab rail, should be subtracted when calculating the clear opening width.
2. The clear opening width may be 800mm where a door is approached head-on.
3. A corridor width of less than 1.2m should not be present within new buildings but may be found within some existing buildings.

A door should not open onto a circulation route in a manner that creates an obstruction, other than a door to a cupboard or duct enclosure that is normally locked in a closed position.

4.2.5 Vertical circulation in common areas of domestic buildings

Stairs in common areas should be designed to be accessible to a person with reduced mobility, as described in guidance to Standard 4.3. There should be an accessible stair between each level of a building.

Level access, or access by a stair or ramp device should be provided to any storey, or part of a storey. However it is recognised that it may not be necessary or, in some cases, reasonably practicable to provide full access to all parts of a building. Consequently, such access need not be provided to any storey, or part of a storey:

- containing only fixed plant or machinery, the only normal visits to which are intermittent, for inspection or maintenance purposes, or
- where access is restricted to suitably trained persons for health and safety reasons, such as to walkways giving access only to machinery or to catwalks and working platforms, reached by industrial ladder.

Installation of a passenger lift will allow all dwellings on upper storeys to be reached from a common entrance level. However it is recognised that it may not always be reasonably practicable to provide lift access within all domestic buildings .

Therefore, a building containing flats or maisonettes may be constructed without a passenger lift where not more than 4 storeys in height and where there is no dwelling with a principal living level at more than 10m above either a common entrance level or the level of the lowest storey.

In any building above this height, or where there are communal facilities on a level other than a common entrance level, there should be a means of unassisted access. This should serve each level of the building that contains a common entrance, an entrance to a dwelling or communal facilities. Unassisted access between storeys should be by passenger lift, with the installation meeting the recommendations of BS EN 81-70: 2003.

Any passenger lift should be designed and installed to include the following:

- a. a clear landing at least 1.5m x 1.5m in front of any lift entrance door, and
- b. automatic lift door(s), with a clear opening width of at least 800mm, fitted with sensors that will prevent injury from contact with closing doors, and
- c. a lift car at least 1.1m wide by 1.4m deep, and
- d. within the overall dimensions of the lift car, a horizontal handrail, of a size and section that is easily gripped, 900mm above the floor on each wall not containing a door, and
- e. within a lift car not offering through passage, a mirror on the wall facing the doors, above handrail height, to assist a wheelchair user if reversing out, and
- f. within the lift car, tactile storey selector buttons and, in a lift serving more than 2 storeys, visual and voice indicators of the storey reached, and
- g. controls on each level served, between 900mm and 1.1m above the landing, and within the lift car on a side wall between 900mm and 1.1m above the car floor and at least 400mm from any corner, and
- h. on the landing of each level served, tactile call buttons and visual and tactile indication of the storey level, and
- i. lift doors, handrails and controls that contrast visually with surrounding surfaces, and
- j. a signalling system which gives notification that the lift is answering a landing call, and
- k. a system which permits adjustment of the dwell time after which the lift doors close, once fully opened, to suit the level of use, and
- l. a means of two way communication, operable by a person with a hearing impairment, that allows contact with the lift if an alarm is activated, together with visual indicators that an alarm has been sounded and received.

4.2.6 Accessibility within a storey of a dwelling

To ensure facilities within a dwelling can be reached and used by occupants, each storey within a dwelling should be designed to be accessible. There should be safe and convenient access to and throughout each storey other than to a level which comprises solely of storage and/or such accommodation as may be accessed via a 600mm wide stair.

Each accessible level or storey within a dwelling should have:

- a. corridors with an unobstructed width of at least 900mm wide. This may be reduced to 800mm over a maximum length of 900mm by permanent obstructions, such as radiators, or a future stair lift parking space, except on a wall opposite a doorway, and
- b. corridors that are large enough to accommodate an unobstructed area of 1.1m by 800mm which, where a door being used opens into the corridor, is oriented in the direction of entry and is clear of the door swing, and
- c. doors with a minimum clear opening width in accordance with the following table to each room, including any apartment, kitchen or sanitary facility.

Table 4.2 Width of door openings

Location	Minimum clear opening width
Door from a corridor with a minimum width of 1050mm	775mm

Location	Minimum clear opening width
Door from a corridor with a minimum width of 900mm	800mm [1]
Door between rooms	775mm
Door to en-suite sanitary accommodation	670mm

Additional information:

1. The opening width may reduce to 775mm where a door is approached head-on.

Principal living level - in addition, there should be unassisted access to the basic accommodation needed in any dwelling. The principal living level of a dwelling, normally also the entrance storey, should contain at least one enhanced apartment (see clause 3.11.2), a kitchen (see clause 3.11.3) and accessible sanitary accommodation (see clause 3.12.3). This accommodation should be either on one level or, if on different levels within a storey, accessible without a stepped change of level.

4.2.7 Access between storeys in a dwelling

Where a dwelling has accommodation on more than one level, the levels containing accommodation should be connected by a stair or ramp within the dwelling following the guidance given under Standard 4.3.

However the guidance under Standard 4.3 need not be applied to a fixed means of access leading only to a storey or level containing storage, though access to such a level must still meet Standard 4.3 and offer safe passage.

4.2.8 Unassisted access between storeys in a dwelling

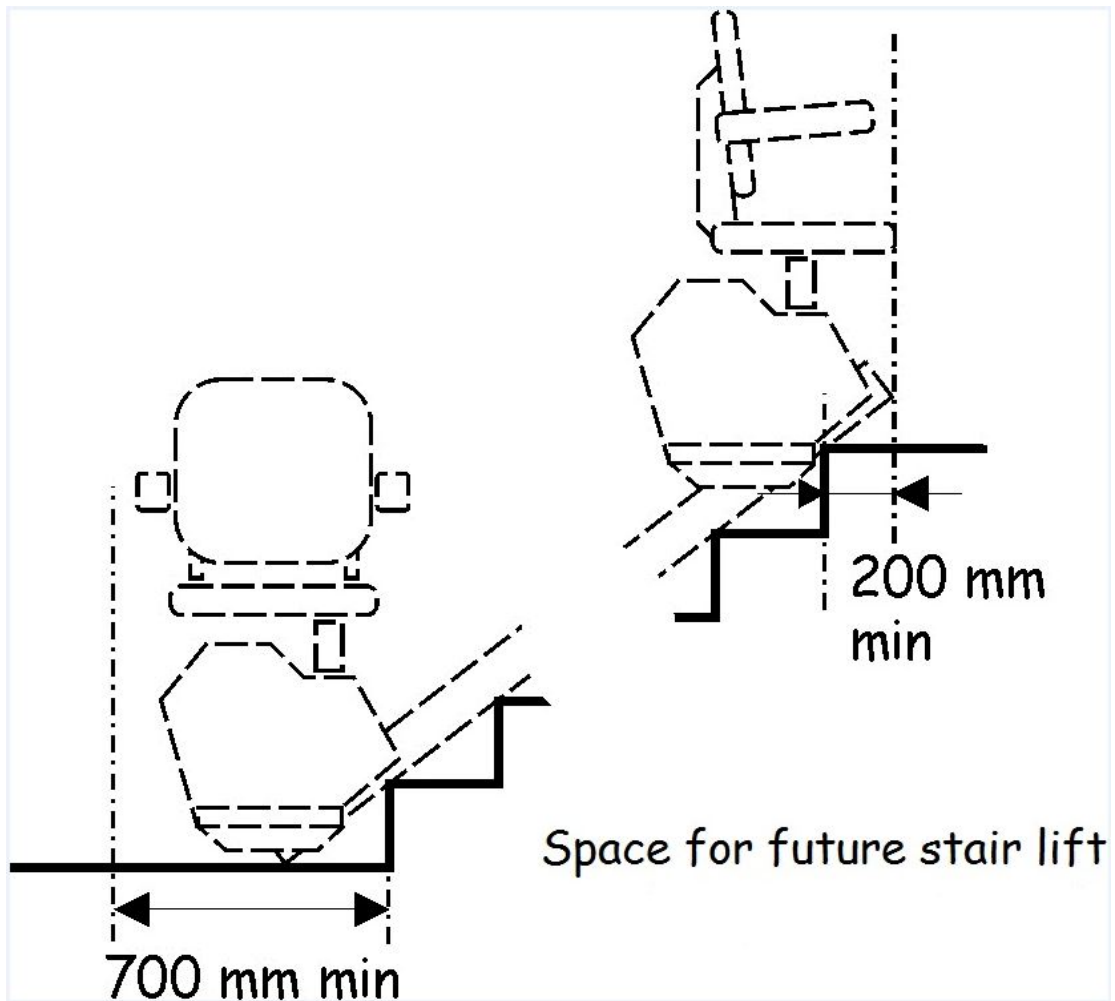
Not everyone can use stairs unassisted. This may mean that the upper levels of a dwelling are not accessible to some occupants. Guidance elsewhere considers situations where occupants, incapacitated for a short period of time, might live within one storey. However this is not generally appropriate for longer term illness or infirmity, where a more permanent, inclusive, solution is required.

Provision should be made for future installation of a means of unassisted access, both within a storey and between storeys.

To allow for future installation of a stair lift, any stair giving access to a principal living level or to accommodation greater than may be accessed via a 600mm wide stair (see clause 4.3.3) should:

- have an area of wall not less than 700mm in length, or an equivalent space, adjacent to the bottom riser of a stair and clear of any obstruction, fitting or doorway, to allow for parking of a stair lift at rest position. This space should be not less than 400mm in depth, and
- have a similar area of not less than 200mm in length, on the same side of the flight, at landing level adjacent to the top nosing of the stair, to assist in transfer at the upper level, allowing for projection of a stair lift track.

Figure 4.5 Future provision for unassisted access



4.2.9 Split level storeys

Any change of level within a storey should not compromise access to facilities within the principal living level of a dwelling.

A storey may be split level provided a stepped change of level does not divide the accommodation forming the principal living level of a dwelling (see clause 4.2.6). In addition, if a stepped change of level is proposed on an entrance storey containing the principal living level, the route from the accessible entrance of the dwelling to the accommodation forming the principal living level should be without a stepped change of level.

4.2.10 Dwellings with limited entrance storey accommodation

Where a dwelling, such as a townhouse or upper villa flat, contains no, or only limited, accommodation on the entrance storey, this can make access to the basic facilities within the dwelling more difficult for many people.

Where the entrance storey of a dwelling is not also the principal living level, the first storey above or below entrance storey which contains an enhanced apartment, kitchen and accessible sanitary accommodation is considered to be the principal living level.

Where there is not level or ramped access from the accessible entrance of a dwelling to the principal living level, the principal living level should be made accessible to as wide a range of occupants as possible and, accordingly:

- a. a stair, from an accessible entrance to the principal living level, should follow the guidance on rise, going and pitch for 'any other stair' given in clause 4.3.2, and
- b. provision for installation of a stair lift should be made as described in clause 4.2.8, and
- c. entrance level accommodation should contain an area of at least 800mm wide by 1.1m long that would permit storage of a wheelchair or pram. This should be outwith the minimum corridor width noted in clause 4.2.6 and clear of any door way, door swing, stair landing or space identified for a future stair lift installation.

Where the entrance level of such a dwelling contains 2 or more apartments, there should also be an accessible toilet on the entrance level in accordance with the guidance in clause 3.12.3. This is in addition to accessible sanitary facilities on the principal living level. There should be level or ramped access from the accessible entrance of the dwelling to this accessible toilet and at least 1 of the apartments on the entrance storey.

4.2.11 Alterations and extensions

Where accommodation within a dwelling meets the recommendations in clauses 4.2.6 to 4.2.10, any works to the dwelling should maintain compliance.

Where alteration of a building includes work to, or provision of, a new circulation area, guidance should be followed as far as is reasonably practicable. This recognises that physical constraints within an existing building may mean compliance with space provision is not always possible.

Consequential alterations - where existing accommodation does not meet the provisions set out in guidance, it need not be altered to comply except for consequential work, needed to ensure compliance with another standard. An example would be where an accessible entrance has been relocated and alterations are required to circulation space to maintain accessibility within the building.

4.3 Stairs and ramps

Mandatory Standard

Standard 4.3

Every building must be designed and constructed in such a way that every level can be reached safely by stairs or ramps.

4.3.0 Introduction

Half of all accidents involving falls within and around buildings occur on stairways, with young children and elderly people being particularly at risk. This risk can be greatly reduced by ensuring that any change in level incorporates basic precautions to guard against accident and falls.

Stairs and ramps should be constructed to be within limits recognised as offering safe and convenient passage and designed so that any person who is likely to use them can do so

comfortably and safely, with the minimum amount of difficulty. Design should also address the issue of appropriate guarding, where a level change is made, and seek to eliminate any possible trip hazards.

Explanation of terms

The following terms are explained to provide clarity to their meaning in the Technical Handbooks.

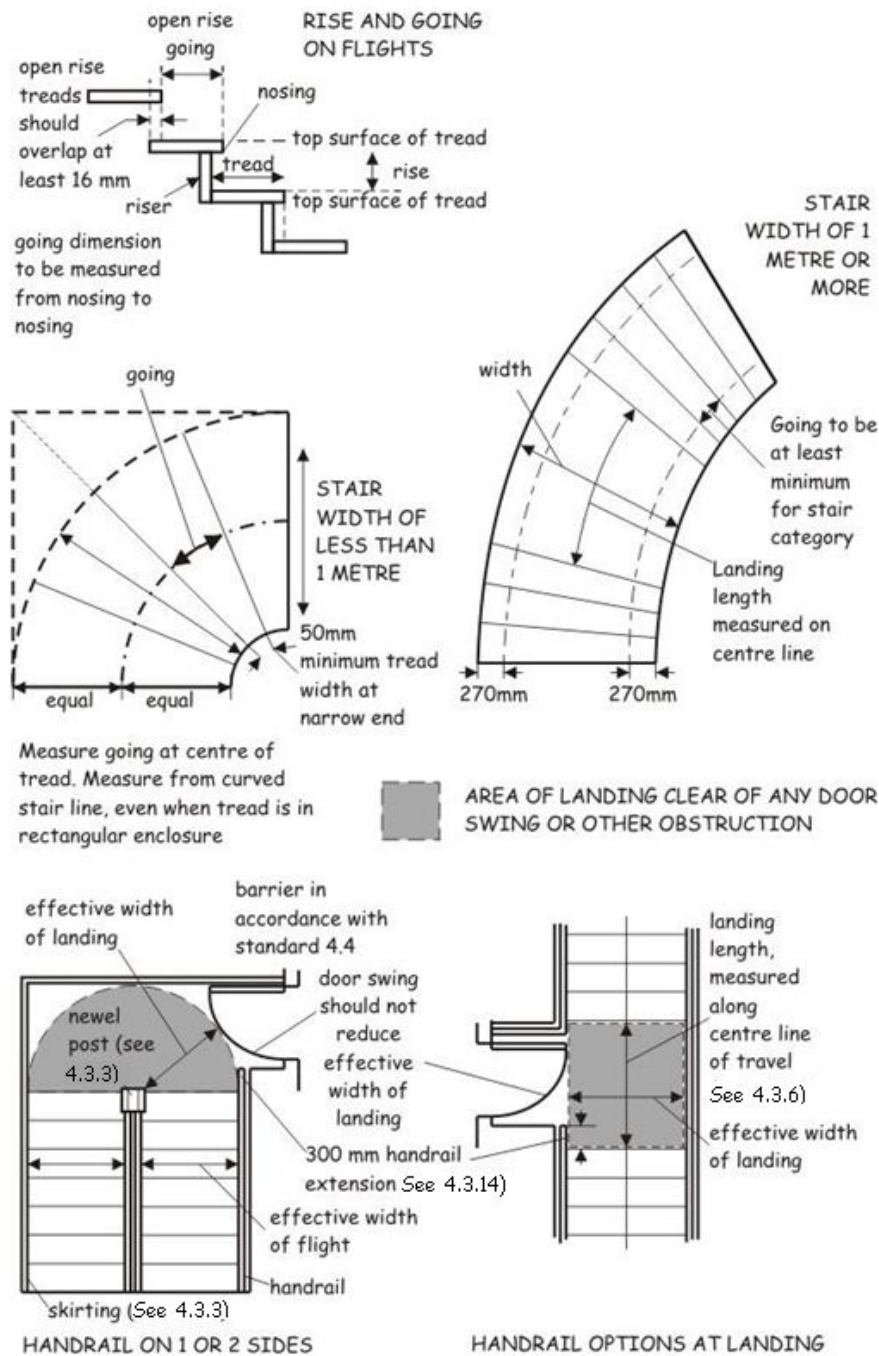
Private stair means a stair wholly within a dwelling. It may also apply to any stair within the curtilage of a single dwelling, which is not accessible to the public. This might include, for example, a stair from a dwelling to a private garden, or a stair providing access to or within a domestic garage. It should not, however include any external stair that forms a part of an accessible route to the dwelling.

Tapered tread means a stair tread in which the nosing is not parallel to the nosing of the tread or landing next above.

Conversions - in the case of conversions as specified in regulation 4, the building as converted shall meet the requirements of this standard in so far as is reasonably practicable, and in no case be worse than before the conversion (regulation 12, schedule 6).

4.3.1 Measurement for stairs

Figure 4.6 Measurement for stairs



4.3.2 Rise, going, tread and pitch of stairs

The geometry of a stair flight can have a significant effect on the ability of people to use a stair safely and conveniently and limits should be placed on the rise and going of a stair, and steepness of pitch.

The pitch of a private stair flight may be steeper than that of a public flight (any other stair) in recognition that users, as occupants, will be more familiar with the stair through frequent use.

To provide safe and convenient access, the rise, going, tread and pitch of a flight in a stair should be in accordance with the following table:

Table 4.3 Stair geometry – private stair

Minimum rise (mm)	Maximum rise (mm)	Minimum going (mm)	Tread	Maximum pitch
100	220	225	not less than going	42°

Table 4.4 Stair geometry – Any other stair, including to a domestic building or within the common area of a building containing flats or maisonettes

Minimum rise (mm)	Maximum rise (mm)	Minimum going (mm)	Tread	Maximum pitch
100	170	250	not less than going	34°

Additional information:

1. All rises in a flight should be of uniform height.
2. In a straight flight, or in a part of a flight that is straight, measurement should be uniform along the centreline of the flight.
3. Where a flight consists partly of straight and partly of tapered treads, the going of the tapered treads should be uniform and should not be less than the going of the straight treads.
4. The going measured at the narrow end of a tapered tread should be at least 50mm (see diagram to clause 4.3.1).
5. The aggregate of the going and twice the rise should be at least 550mm and not more than 700mm. For example, stairs provided with the minimum going of 250mm would result in rises of at least 150mm.
6. The maximum rise and minimum going on a private stair should not be used together as this will result in a pitch greater than the recommended maximum.
7. Clause 4.2.10 should be referred to for exceptions where a private stair should meet the above recommendations for 'any other stair'.

The most comfortable combination of rise and going varies between individuals but in general, a going in excess of the minimum, resulting in a figure in the upper end of the range in note 5 above, will increase both safety and amenity.

4.3.3 Width of stair flights and landings

The clear, or effective, width of a stair should allow users to move up and down unhindered and permit people to pass on a flight.

The effective width should be measured between handrails or, where there is no handrail present, between any walls or protective barriers. It should be clear of obstructions, as described in the diagram to clause 4.3.1. The effective width of a stair should be not less than 1.0m, or otherwise in accordance with the recommendations of the following table:

Table 4.5 Effective widths of flights and landings

Private Stair	Any other stair
900mm [1], such as from one storey to another or connecting levels within a storey or 600mm where it serves only sanitary accommodation and/or one room other than accessible sanitary accommodation, a kitchen or an enhanced apartment.	1.0m generally, such as to an external flight to a domestic building or a common access within a building containing flats or maisonettes, or 900mm to an external flight serving a single dwelling, to which the public have access.

Additional information:

1. The effective width of a private stair may be 800mm where a continuous handrail is fitted to both sides of a flight.

The projection of any stringer or newel post into this width should be not more than 30mm.

A stair lift may be fitted to a private stair and may project into the effective width of the stair. However in such cases, at least 1 handrail should be present as described in clause 4.3.14 and, when not in use, the installation should:

- a. permit safe passage on the stair flight and any landing, and
- b. not obstruct the normal use of any door, doorway or circulation space.

Clause 4.2.8 gives guidance on the space to be provided adjacent to a stair flight to accommodate a future stair lift installation.

4.3.4 Number of rises in a flight

The act of climbing stairs can be tiring to many people. Whilst landings can provide a safe resting point, the flight itself is not intended to do so. The maximum number of rises between landings should therefore be limited.

Generally, a flight should have not more than 16 rises.

Below a minimum number of steps, it becomes difficult to signal a change of level, which can contribute significantly to a trip hazard.

Generally, a flight should have at least 3 rises.

However people tend to take greater care at certain locations, such as at an external door, and a single step or 2 steps may be appropriate under certain circumstances. There may be less than 3 rises:

- a. other than at an accessible entrance, between an external door of a building and the ground or a balcony, conservatory, porch or private garage, or
- b. wholly within an apartment other than where affecting provisions within an enhanced apartment (see clause 3.11.2), or
- c. wholly within sanitary accommodation, other than accessible sanitary accommodation (see clause 3.12.3), or
- d. between a landing and an adjoining level where the route of travel from the adjoining level to the next flight changes direction through 90° (i.e. on a quarter landing as the first step).

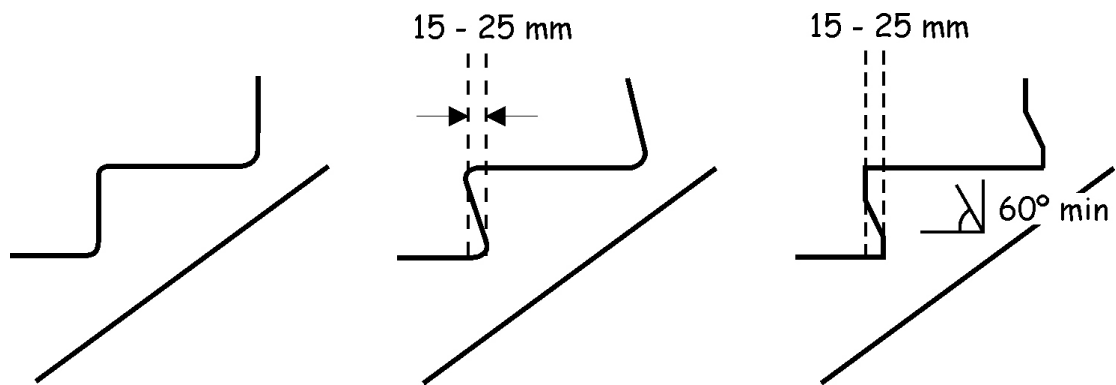
4.3.5 Risers and treads

All stairs providing access to and within buildings should be designed to be accessible by most persons with reduced mobility.

Open risers on a flight can be a hazard. When ascending a stair, people may be at risk of trapping the toes of shoes beneath projecting nosings, and of tripping as a result. In addition, many may feel a sense of insecurity when looking through spaces present between treads.

A stair should have contrasting nosings to assist in identifying the position of treads and risers should be profiled to minimise tripping as shown below. Open rises should not be used unless a stair is intended for descent only, such as in a dedicated escape stair on an escape route.

Figure 4.7 Step profile examples



However a private stair may be constructed with open risers and without contrasting nosings as occupants will be more familiar with the stair through frequent use.

Small children can climb or fall through gaps in stair treads and the size of such gaps should be limited to prevent this. In a flight with open rises, the treads should overlap by at least 15mm. Any opening between adjacent treads in a flight should be small enough to prevent the passage of a 100mm sphere.

4.3.6 Stair landings

Clear space is needed to the head and foot of any stair flight to allow people to move between a flight and an adjacent level surface safely. People may also wish to pause on stairs, particularly during ascent, and any intermediate landing should provide a temporary respite and be of a size to allow this whilst still permitting others to pass safely.

A stair landing should:

- be provided at the top and bottom of every flight. A single landing may be common to 2 or more flights, and
- be level except, in external locations, for any minimal crossfall necessary to prevent standing water, and
- have an effective width of not less than the effective width of the stair flight it serves, and
- be clear of any door swing or other obstruction other than to a private stair as noted below.

The minimum length of a stair landing, measured on the centreline of travel, should be either 1.2m or the effective width of the stair, whichever is less. However where, on an intermediate landing, a change of direction of 90° or more occurs, the centreline length need not be measured if the effective width of the stair is maintained across the landing.

On landings to external stair flights, where tactile paving is used, the minimum length of landing should be 1.2m.

Flights not needing a landing - other than at an accessible entrance, a landing need not be provided to a flight of steps between the external door of:

- a dwelling and the ground, balcony, conservatory, porch or private garage, where the door slides or opens in a direction away from the flight and the total rise is not more than 600mm, or
- a dwelling, or building ancillary to a dwelling, and the ground, balcony, conservatory, or porch, where the change in level is not more than 170mm, regardless of method of door operation.

Obstructions - on a private stair, other than on an intermediate landing, common to 2 flights:

- a door to a cupboard or duct may open onto a top landing if, at any angle of swing, a clear space of at least 400mm deep is maintained across the full width of the landing
- a door may open on to a bottom landing, if, at any angle of swing, a clear space of at least 400mm deep is maintained across the full width of the landing and the door swing does not encroach within space designated for future installation of a stair lift (see clause 4.2.8).

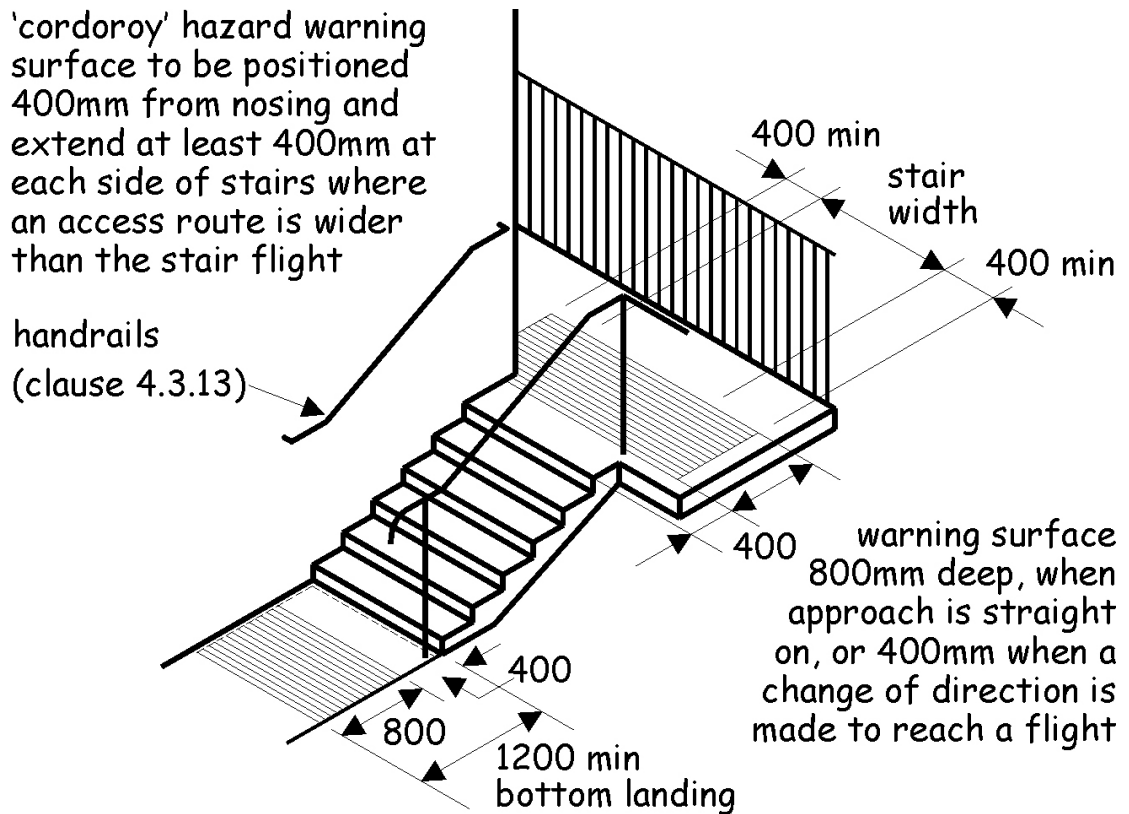
4.3.7 Warning surfaces to landings of external steps

A sudden and unguarded change of level on an access route can present a hazard to a person with a visual impairment. Therefore, on external routes serving more than one dwelling, tactile paving should be used to alert people to the presence of a flight of steps.

The use of 'corduroy' tactile paving identifies this hazard and advises users to 'proceed with caution'. It should be provided at the head and foot of any flight of external steps, forming a strip 800mm deep, positioned 400mm from the first step edge, as noted below.

On any landing mutual to a flight of steps and a ramp, tactile paving should lie outwith the landing area of any ramp flight, to prevent possible confusion which might lead to injury.

Figure 4.8 Use of corduroy tactile paving

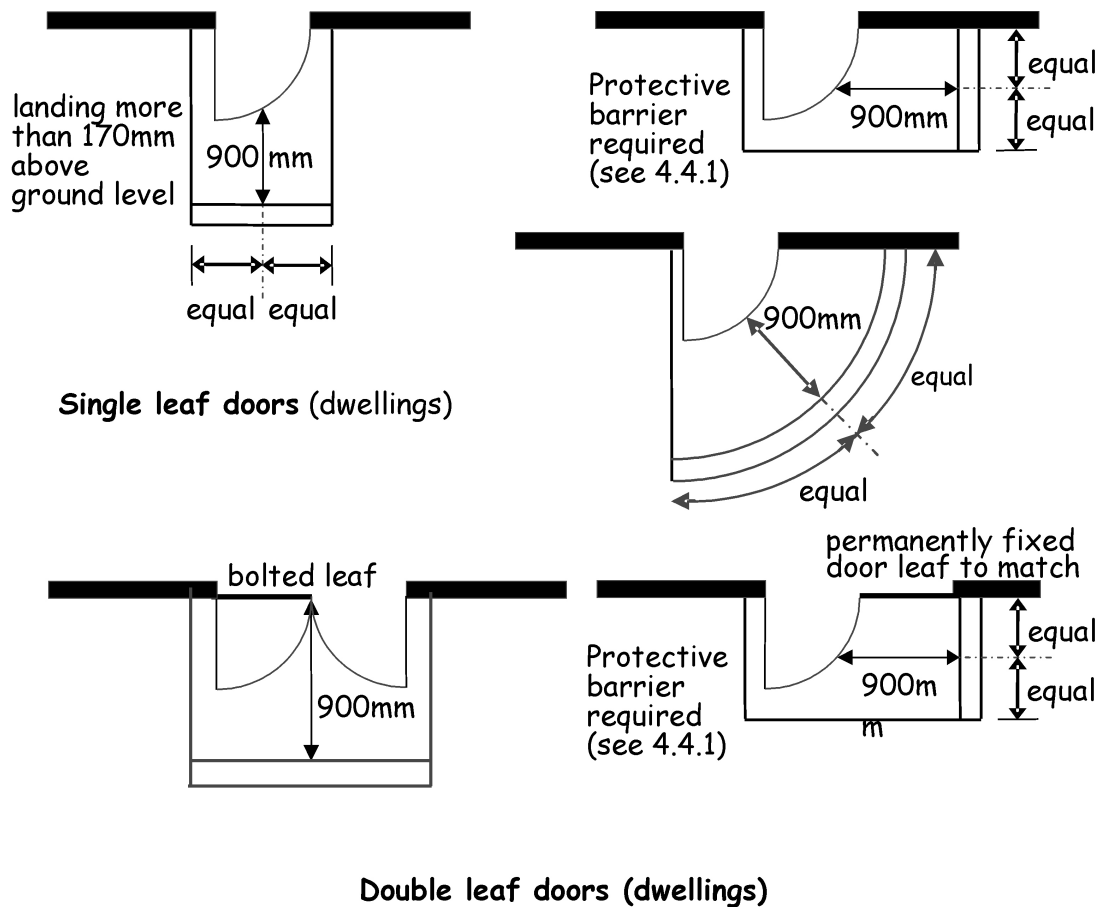


General information on use of tactile paving, including options on intermediate landings, is given in 'Guidance on the Use of Tactile Paving Surfaces'.

4.3.8 Stair landings serving outward opening fully glazed doors

Conservatories and similar extensions are an increasingly prevalent addition to many dwellings. If the conservatory or extension is intended to be the accessible entrance, the guidance to Standard 4.1 should be followed. If the entrance is not the accessible entrance and has an outward opening fully glazed door, a landing, of a length shown in the following diagram should be in accordance with the guidance in clause 4.3.6. These recommended landing lengths may also be appropriate for fully glazed doors leading from a dwelling directly into a conservatory.

Figure 4.9 Landings serving outward-opening fully glazed doors



4.3.9 Stair flights consisting of both straight and tapered treads

On that part of a flight consisting of tapered treads, the going of the tapered treads should be uniform and should not be less than the going of the straight treads. At the inner end of the tread, the going should be at least 50mm. Tapered treads on a stair should be constructed in accordance with BS 585: Part 1: 1989, Appendices B1 and B3, irrespective of material or whether it contains open rises. However guarding should be in accordance with the guidance in clause 4.4.2.

In a flight less than 1m wide the going should be measured at the centre line of the flight as described in clause 4.3.1. In a flight 1m wide or more the going should be measured at 2 points, 270mm from each end of the tread, as described in clause 4.3.1 and the minimum going should be at least the going of the straight treads.

4.3.10 Stair flights consisting wholly of tapered treads

Stairs formed from tapering treads, particularly where forming a spiral, can present greater difficulties in use for many people than straight flights. There should be an appropriate level of safety and amenity on such stairs, particularly where used as a primary means of access.

A flight consisting wholly of tapered treads, forming a helix or spiral, should be constructed to give safe passage. To achieve this, it should be constructed in accordance with the guidance in BS 5395: Part 2: 1984, but account should be taken of the following guidance clauses:

- minimum and maximum rise should be as recommended in clause 4.3.2, and
- the effective width should be as recommended in clause 4.3.3, and
- the maximum number of rises on a flight should be as recommended in clause 4.3.4, and
- other than on a private stair, risers and treads should be as recommended in clause 4.3.5, and
- handrails should be as recommended in clauses 4.3.14 and 4.3.15, and
- protective barriers should be as recommended in clause 4.4.2.

4.3.11 Pedestrian ramps

Surfaces with a gradient of 1 in 20 to not more than 1 in 12 are considered to be ramps and recommendations are made on such surfaces to ensure the safety and amenity of users. Gradients of more than 1 in 12 are considered too steep to negotiate safely and are not recommended.

Steep gradients require both greater effort to ascend and more care when descending. As a general principle, the steeper the gradient of a ramp, the shorter the flight should be. A pedestrian ramp should be constructed in accordance with the following table:

Table 4.6 Gradient, length and rise of a flight in a pedestrian ramp

Maximum gradient of flight	Maximum length of flight	Maximum rise
1 in 20	10m	500mm
1 in 15	5m	333mm
1 in 12	2m	166mm
More than 1 in 12	Not recommended	not recommended

Additional information:

1. The maximum flight length for a particular gradient can be interpolated as follows: 3m long for a gradient of 1 in 13, 4m long for a gradient of 1 in 14, and so on.

4.3.12 Width of ramps flights

The width of a ramp should relate to the intensity of use. For example, an unobstructed width of 1.8m is the minimum that will allow two wheelchair users to pass safely. As a ramp flight will normally be enclosed between flanking handrails or guarding, it is important that this width still offers safe and convenient passage.

The effective width of a ramp flight should be at least 1.0m. Effective width is measured between handrails, or where there are no handrails, the protective barrier or inside face of any wall or guarding kerb, and should be clear of any obstructions.

4.3.13 Ramp landings

Clear space is needed to the head and foot of any ramp flight to allow people to move between a flight and an adjacent level surface safely. This should permit manoeuvring of a wheelchair without obstructing passage or the need to encroach into circulation routes or onto a ramp flight.

A ramp landing should:

- be provided at the top and bottom of every flight. A single landing may be common to 2 or more flights, and
- be level except, in external locations, for any minimal crossfall necessary to prevent standing water, and
- have an effective width not less than the effective width of the flight it serves, and
- be clear of any door swing or other obstruction.

The unobstructed length of a landing should be not less than 1.5m, to allow space for wheelchairs or prams to stop after travelling down a flight and to provide manoeuvring space.

Where the entire length of a series of ramp flights is not visible from either the top or bottom landing, intermediate landings should have an effective width of not less than 1.8m, to provide passing places during ascent or descent.

4.3.14 Handrails to stairs and ramps

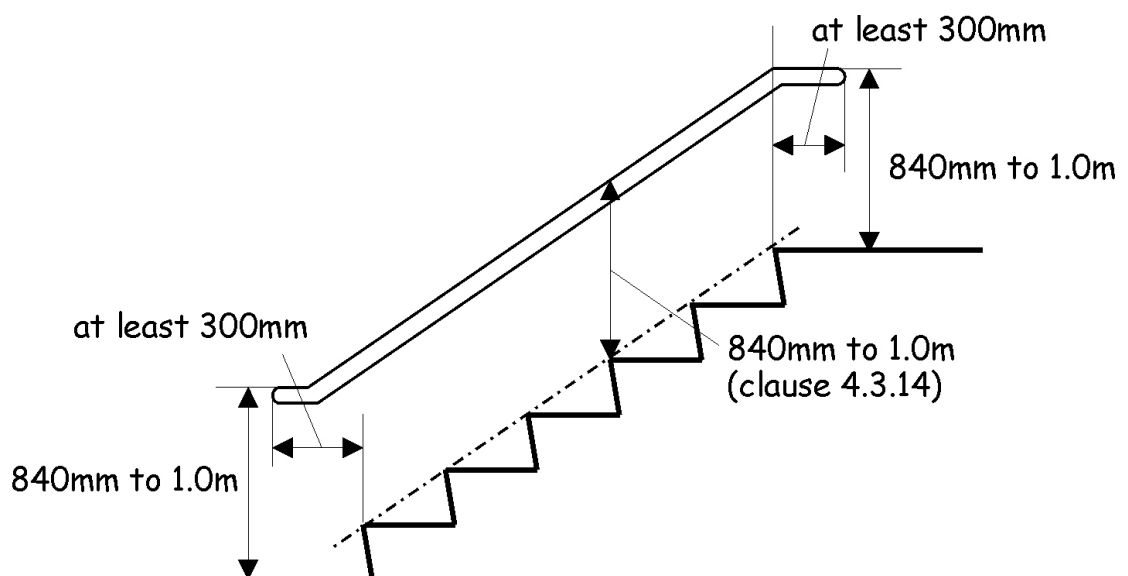
Handrails to stair and ramp flights will provide support and assist safe passage. As the full width of a flight may be used, either by people passing or by a person who favours one side, a handrail should generally be provided to both sides of a stair or ramp flight.

A handrail should be provided to both sides of any flight where there is a change of level of more than 600mm, or where the flight on a ramp is longer than 2m. However:

- handrails may be omitted to the flight of a ramp, serving a single dwelling, where the change in level is less than 600mm, and
- a handrail need only be provided to one side on a flight of a private stair.

Where a handrail is provided to only one side of a private stair flight, the side on which a handrail is not fixed should permit installation of a second handrail at a future date. A second handrail will provide additional support to a person using the stair and may be installed provided a clear width of 800mm is maintained.

Figure 4.10 Handrails to stairs and ramps



The extension of a handrail at landings allows an individual to steady themselves before ascending or descending. For a person with impaired vision, the change in slope of the handrail and its return into a wall can also signal the start or finish of a flight.

A handrail on a stair or ramp flight should:

- a. extend at least 300mm beyond the top and bottom of the flight as shown in the diagram above. However the 300mm extension may be omitted where the handrail abuts a newel post, and
- b. have a profile and projection that will allow a firm grip, and
- c. end in a manner, such as a scrolled or wreathed end, that will not present a risk of entrapment to users, and
- d. contrast visually with any adjacent wall surface.

However only sub clause (b) need be provided on a private stair or to a ramp providing access within a single dwelling, as users are likely to be familiar with the layout and use of the flight.

A stair or ramp that is more than 2.3m wide should be divided by a handrail, or handrails, in such a way that each section is at least 1.1m and not more than 1.8m wide. This does not apply to a stair between an entrance door to a building and ground level where not forming part of an escape route.

4.3.15 Height of handrails

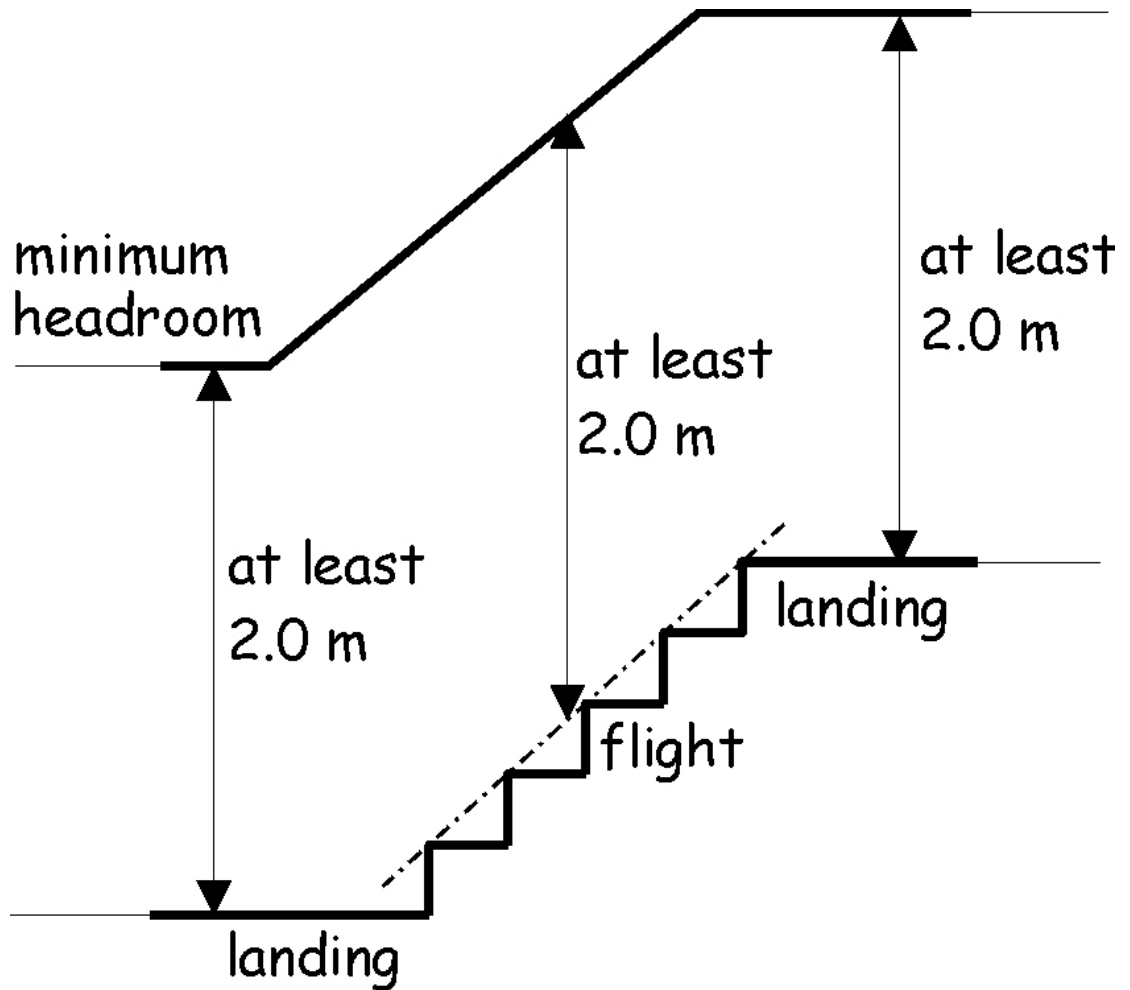
A handrail should be fixed at a height of at least 840mm and not more than 1.0m, measured vertically above the pitch line of a flight on a stair or ramp and on a landing where a handrail is provided.

4.3.16 Headroom on stairs and ramps

A flight or landing on a stair or ramp should have clear headroom of at least 2.0m extending over the whole of the effective width. Height should be measured vertically from the pitch line of the flight or from the surface of the landing.

In a dwelling where any portion of a flight or landing lies outwith the area needed to maintain the effective width of a flight or landing, a reduction in headroom may be considered, provided that no dangerous obstructions or projections are created.

Figure 4.11 Headroom on stairs and ramps



4.3.17 Industrial stairs and fixed ladders

An industrial stair or fixed ladder serving an area in any building to which only limited access is provided should be constructed so as to offer safe passage. This method of access is not for public use and would only be expected to be provided in places such as plant-rooms. A stair or ladder should be constructed in accordance with:

- a. BS 5395: Part 3: 1985 or BS 4211: 2005, as appropriate, or
- b. BS 5395: Part 2: 1984 where the stair is a spiral or helical stair.

4.4 Pedestrian protective barriers

Mandatory Standard

Standard 4.4

Every building must be designed and constructed in such a way that every sudden change of level that is accessible in, or around, the building is guarded by the provision of pedestrian protective barriers.

Limitation:

This standard does not apply where the provision of pedestrian protective barriers would obstruct the use of areas so guarded.

4.4.0 Introduction

Protective barriers are necessary to prevent people in and around buildings from an accidental fall at an unguarded change of level.

In assessing the type of barrier to be used, the likely hazards, the use of the building and the risks to the people that may be present should all be considered. Any barrier should minimise the risk of persons falling or slipping through gaps in the barrier.

Young children are often adept at climbing within their reach. It is important that the design of protective barriers restrict the ability of young children to climb them, thereby reducing the possibility of injury from falls.

Conversions - in the case of conversions, as specified in regulation 4, the building as converted shall meet the requirements of this standard in so far as is reasonably practicable, and in no case be worse than before the conversion (regulation 12, schedule 6).

4.4.1 Location of pedestrian protective barriers

In the interests of safety, protective barriers should be provided where there is a sudden change in level and the possibility of severe injury from a fall.

At a change of direction on an access route, a drop of any height can be a hazard, particularly to a wheelchair user or a person with a visual impairment. A protective barrier should be provided both where a significant drop occurs and in locations where a smaller change of level may increase the risk of injury.

It is not practical to provide a barrier at every change in level, but a protective barrier for pedestrians should be provided at the edge of:

- a. every floor, stair, ramp, landing, raised floor or other raised area to which people have access, where there is a difference in level of 600mm or more, and
- b. any change in direction on an access or circulation route which is raised above the level of the surrounding surfaces.

However there is no need to provide a protective barrier in a location which would prevent intended access route or be incompatible with the normal use of an area, such as to the edge of a loading bay.

A wall, partition or area of fixed glazing, constructed in accordance with the recommendations of clause 4.4.2, may act as a protective barrier.

To ensure a person can be aware of the presence of a protective barrier it should, unless within a dwelling or forming part of a wall or partition, contrast visually with surrounding surfaces. If a barrier is principally glazed, the recommendations for marking given in clause 4.8.2 should be followed.

4.4.2 Design of pedestrian protective barriers

In and around domestic buildings, gaps in any protective barrier should not be large enough to permit a child to pass through.

To ensure this, openings in a protective barrier should prevent the passage of a 100mm diameter sphere. However the space between a rise in a stair and the lowest edge of the protective barrier may be larger than 100mm, provided the lowest edge of the barrier is not more than 50mm above, and parallel to, the pitch line of the stair.

A protective barrier should be designed and constructed so that it cannot be easily climbed by young children. The provision of potential hand and footholds should be minimised.

A protective barrier, and any wall, partition or fixed glazing accepted instead of a barrier should be secure, capable of resisting loads calculated in accordance with BS EN 1991-1-1 and the associated PD 6688-1-1 and be of a height as follows:

Table 4.7 Height of pedestrian protective barriers

Location	Minimum height (mm) [1]
At the edge of a floor in front of walls, partitions and fixed glazing incapable of withstanding the loads specified in BS EN 1991-1-1/PD 6688-1-1	800
In front of an openable window	800 [2]
On a stair or ramp flight wholly within a dwelling	840 [3]
On a stair or ramp flight outwith a dwelling	900 [3]
To a gallery, landing or raised area within a dwelling	900
All other locations	1100

Additional information:

1. A handrail provided in accordance with clauses 4.3.14 and 4.3.15 may form the top of a protective barrier if the heights in this table are met.
2. Protective barriers should be installed where the opening window has:
 - a. a sill that is less than 800mm above finished floor level, and
 - b. an operation that will allow the possibility of falling out, and
 - c. a difference in level between the floor level and the ground level of more than 600mm.

At 2 storeys or more above ground level, reference should be made to clause 4.8.4 where external glazing is cleanable from within the building.

3. Where a handrail forming the top of a protective barrier to a flight meets a protective barrier to a landing, the height of the latter may be reduced for a distance not more than 300mm to permit a smooth junction.

4.4.3 Guarding to the edge of ramps

Where a continuous pedestrian protective barrier is not provided to the edge of a ramp flight, a kerb upstand of at least 100mm high should be provided to any open side of the flight where there is a drop of any height. However the use of an upstand kerb alone in open landscaping is not recommended as it may present a potential trip hazard.

Alternatively, an external ramp flight may be provided with a landscaped margin, level with the edge or the ramp for a distance of 600mm before any grading.

4.5 Electrical safety

Mandatory Standard

Standard 4.5

Every building must be designed and constructed in such a way that the electrical installation does not:

- a. **threaten the health and safety of the people in, and around, the building, and**
- b. **become a source of fire.**

Limitation:

This standard does not apply to an electrical installation:

- a. serving a building or any part of a building to which the Mines and Quarries Act 1954 or the Factories Act 1961 applies, or
- b. forming part of the works of an undertaker to which regulations for the supply and distribution of electricity made under the Electricity Act 1989.

4.5.0 Introduction

The hazards posed by unsafe electrical installation are injuries caused by contact with electricity (shocks and burns) and injuries arising from fires in buildings ignited through malfunctioning or incorrect installations.

Concern has been expressed that risks have been increasing in recent years due to:

- the increasing prevalence and variety of electrical systems in buildings and the demands being made on them
- the reduction in subscription to voluntary industry self-regulation schemes.

The intention of this standard is to ensure that electrical installations are safe in terms of the hazards likely to arise from defective installations, namely fire, electric shock and burns or other personal injury. Installations should:

- safely accommodate any likely maximum demand, and

- incorporate appropriate automatic devices for protection against overcurrent or leakage, and
- provide means of isolating parts of the installation or equipment connected to it, as are necessary for safe working and maintenance.

The standard applies to fixed installations in buildings. An installation consists of the electrical wiring and associated components and fittings, including all permanently secured equipment, but excluding portable equipment and appliances.

Appendix 6 of BS 7671: 2008 (The Wiring Regulations) provides specimen certificates that may be completed by the person responsible for the installation. These can be issued to the person ordering the works as evidence of compliance with the recommendations of the British Standards.

'Socket outlet' means a fixed device containing contacts for the purpose of connecting to a supply of electricity the corresponding contacts of a plug attached to any current-using appliance.

Conversions - in the case of conversions, as specified in regulation 4, the building as converted shall meet the requirement of this standard (regulation 12, schedule 6).

4.5.1 Electrical installations

Electricity, when properly used, is a safe and convenient source of energy for heat, light and power within buildings. However misuse may lead to significant harm to individuals and buildings alike.

Risk of fire from an electrical installation should be minimised. In normal operation, taking into account the surroundings, it should not create the risk of fire, burns, shock or other injury to people.

An electrical installation should be designed, constructed, installed and tested such that it is in accordance with the recommendations of BS 7671: 2008.

Professional Expertise - electrical installation work should be inspected and tested by persons who possess sufficient technical knowledge, relevant practical skills and experience for the nature of the electrical work undertaken.

An approved certifier of construction who has been assessed to have the professional skills and relevant experience, can certify compliance of an electrical installation (see clause 4.0.5).

4.5.2 Extra-low voltage installations

To avoid the risk of harm, any circuit which is designed to operate at or below extra-low voltage should be protected against both direct and indirect contact with any other circuit operating at higher than extra-low voltage.

Extra-low voltage is defined as not more than 50 volts alternating current or 120 volts direct current, measured between conductors or to earth. This might include installations for alarm or detection purposes, or for transmission of sound, vision, data or power.

Any such installation should be designed, constructed, installed and tested such that it is in accordance with the recommendations of BS 7671: 2008.

4.5.3 Installations operating above low voltage

To avoid the risk of harm, any circuit which is designed to operate at a voltage higher than low voltage should be provided with a cut-off switch for use in emergency in accordance

with the recommendations of BS 7671: 2008. Such installations are not usual in domestic buildings .

Low voltage is defined as not more than 1000 volts alternating current or 1500 volts direct current, measured between conductors or not more than 600 volts alternating current or 900 volts direct current between conductors and earth.

A fireman's switch, in a conspicuous position, should be provided to any circuit supplying exterior electrical installations or internal discharge lighting installations (including luminous tube signage) operating at a voltage exceeding low voltage.

4.6 Electrical fixtures

Mandatory Standard

Standard 4.6

Every building must be designed and constructed in such a way that electric lighting points and socket outlets are provided to ensure the health, safety and convenience of occupants and visitors.

Limitation:

This standard applies only to domestic buildings where a supply of electricity is available.

4.6.0 Introduction

Visual perception increases with the level of light falling on the surface of an object. It is important to avoid hazardous situations that may be created by the nature of the lighting itself including insufficient light sources, glare, gloom and shadows.

During daylight, lighting levels within a building are generally much less than those outdoors. In lobby areas, transitional lighting will assist the eye in adjusting quickly between exterior and interior lighting conditions. Careful design of lighting can also play an important part in emergency situations, to ensure the safe and effective evacuation of people in an emergency.

Section 2 (Fire) includes guidance on escape route lighting and emergency lighting, whilst Section 6 (Energy) covers energy efficient design of lighting.

Aside from the specific issues noted above and in guidance to this standard, general guidance on lighting in buildings remains outwith the scope of the Technical Handbook. There are, however numerous publications offering guidance on use of lighting in buildings for safety and amenity, including those listed below:

- Code for Lighting – CIBSE (2002)
- Building Sight - Royal National Institute for the Blind (1995).

The provision of an entryphone system to a communal entrance will enhance both the amenity and the security of occupants within a building.

Today, with ever more electrical appliances being used in homes, an adequate provision of power points reduces the possibility of both overloading of individual sockets, risking fire, and the creation of trip hazards from use of extension cabling.

Conversions - in the case of conversions, as specified in regulation 4, the building as converted shall meet the requirement of this standard (regulation 12, schedule 6).

4.6.1 Lighting

A dwelling should have an electric lighting system providing at least one lighting point to every circulation space, kitchen, bathroom, toilet and other space having a floor area of 2m² or more.

Any lighting point serving a stair should have controlling switches at, or in the immediate vicinity of, the stair landing on each storey.

4.6.2 Lighting in common areas of domestic buildings

In communal areas and particularly on stairs and ramps within a building, the possibility of slips, trips and falls and of collision with obstacles should be minimised. Lighting conditions play an important part in this.

Common areas should have artificial lighting capable of providing a uniform lighting level, at floor level, of not less than 100 lux on stair flights and landings and 50 lux elsewhere within circulation areas. Lighting should not present sources of glare and should avoid creation of areas of strong shadow that may cause confusion or miss-step. A means of automatic control should be provided to ensure that lighting is operable during the hours of darkness.

4.6.3 Door entry systems

Entry to buildings containing flats or maisonettes is controlled to maintain the security of a private space and to prevent vandalism. Similarly, the principal entrance to a sheltered housing complex may have an access control system for the general security and safety of residents.

A common entrance door, intended as a principal means of access to a building, should have a door entry system installed. This should comprise of a remote door release and intercom at the point of entry and a call unit within each dwelling served by that entrance.

Any unit at a common entrance should be positioned between 900mm and 1.2m above floor level. It should include an inductive coupler compatible with the 'T' setting on a personal hearing aid, together with a visual indicator that a call made has been received. Controls should contrast visually with surrounding surfaces and any numeric keypad should follow the 12-button telephone convention, with an embossed locator to the central '5' digit.

4.6.4 Socket outlets

Current lifestyle places a greater demand on electrical installations, with the increase in use of electrical appliances. Connection of multiple appliances into a socket outlet through an adapter can lead to overheating and the risk of fire. Similarly, use of extension leads can create a trip hazard.

To reduce these risks, a dwelling should be provided with at least the following number of 13A socket outlets:

- 4 within each apartment, and
- 6 within the kitchen, at least 3 of which should be situated above worktop level in addition to any outlets provided for floor-standing white goods or built-in appliances, and
- an additional 4 anywhere in the dwelling, including at least 1 within each circulation area on a level or storey.

Sockets may be installed as single or double outlets, to give the recommended number of outlets in each space.

4.7 Aids to communication

Mandatory Standard

Standard 4.7

Every building must be designed and constructed in such a way that it is provided with aids to assist those with a hearing impairment.

Limitation:

This standard does not apply to domestic buildings.

4.7.0 Introduction

This standard does not apply to domestic buildings.

4.8 Danger from accidents

Mandatory Standard

Standard 4.8

Every building must be designed and constructed in such a way that:

- a. **people in and around the building are protected from injury that could result from fixed glazing, projections or moving elements on the building**
- b. **fixed glazing in the building is not vulnerable to breakage where there is the possibility of impact by people in and around the building**
- c. **both faces of a window and rooflight in a building are capable of being cleaned such that there will not be a threat to the cleaner from a fall resulting in severe injury**
- d. **a safe and secure means of access is provided to a roof, and**
- e. **manual controls for ventilation and for electrical fixtures can be operated safely.**

Limitation:

Standards 4.8(d) does not apply to domestic buildings.

4.8.0 Introduction

This standard covers several unrelated safety issues that do not lend themselves to inclusion in other standards although glass and glazing do figure prominently.

Collision or entrapment accidents result in a significant numbers of deaths and injuries to people in and around buildings every year. The majority of these accidents occur during normal use and involve building features such as doors, windows and areas of fixed glazing, with the risk of injury increased where vulnerable glass is involved. Collisions with glazing are very common as it can, if transparent, be difficult to see and may create confusing lighting effects, presenting particular difficulties for a person with a visual or cognitive impairment.

Falls still result in deaths and serious injury to people while cleaning windows. Whether windows are cleaned professionally or by the building owner, provision should be made to permit glazing to be cleaned safely.

Natural ventilation in dwellings is provided by openable windows or rooflights. People may encounter difficulty and a hazard may arise in operating controls which are poorly sited. Similarly, location of electrical sockets, switches and other controls can, if not considered carefully, affect safe and convenient use.

Conversions - in the case of conversions, as specified in regulation 4, the building as converted shall meet the requirements of this standard in so far as is reasonably practicable, and in no case be worse than before the conversion (regulation 12, schedule 6).

4.8.1 Collision with projections

Fixtures that project into, or open onto any place to which people have access can be a hazard. Any element of a building capable of projecting into a circulation route or space should be positioned, secured or guarded so that it does not present a risk to building users.

The simple way to avoid risk is to ensure that obstructions do not encroach into such spaces. However where a building element does project into a circulation route or space, and any part of the obstruction is less than 2.0m above the ground, guarding should be provided to both highlight the hazard and prevent collision with the building element.

Guarding should be provided to:

- any moveable projection, such as a door leaf or window frame, that opens across a circulation route or into a circulation space, or
- any permanent projection of more than 100mm into a circulation route or space that begins at a height of more than 300mm above the ground, or the projection of which increases with height by more than 100mm, or
- any accessible area where headroom reduces to less than 2.0m, such as beneath a stair flight.

Guarding should comprise of a continuous horizontal rail, at a height of between 900mm and 1.1m above ground level and a solid element, such as kerb upstand or rail, positioned approximately 100mm above ground level, to assist in detection by a visually impaired person using a cane.

There should be visual contrast between guarding rails and surrounding surfaces. Consideration should be given to positioning of guarding to direct a person away from the hazard, further reducing the risk of a collision.

Additional guarding may be needed to prevent collision with, or entrapment by, a powered door leaf (see clause 4.1.8).

Within a dwelling, guarding is not needed. A door swing may open into a circulation space provided no obstructions occur within the unobstructed area on a stair landing (see clause

4.3.6), on a ramp landing or that would prevent future installation of a stair lift (see clause 4.2.8).

4.8.2 Collision with glazing

Glazing in certain locations is more vulnerable to human impact. Care should be taken in the selection of glazing at low level in screens, walls and partitions or in areas surrounding doors, particularly where glazed side panels may be mistaken for doors.

To reduce the risk of injuries from accidental human impact in these locations, designers should either:

- fit glazing of a type, thickness and pane size that will be resistant to impact, which either does not break or breaks safely, or
- provide protection in the form of guarding to vulnerable glazing.

Glazing should be designed to resist human impact as set out in BS 6262: Part 4: 2005, where all, or part, of a pane is:

- within 800mm of floor level, or
- part of a door leaf, or
- within 300mm of a door leaf and within 1.5m of floor level.

Glazing manifestations - large areas of transparent glazing, in fixed screens or partitions or where forming doors, can be difficult to identify and may be a particular hazard to a person with a visual impairment. Glazing in a building, positioned where accidental collision may be likely, should be made apparent by some form of manifestation (marking). Differences in the design of manifestation used can also assist in identifying the position of doors within a glazed screen.

Manifestation should be of a size and form that is immediately obvious. It should, as far as is reasonably practicable, contrast visually with backgrounds viewed through the glazing by a person approaching from either side. Forms might include broken or solid lines, patterns or logos and may be a continuous element or at appropriate horizontal intervals. Manifestation should be present within 2 height ranges, between 850mm and 1.0m, and between 1.4m and 1.6m above floor level. It should be permanent, e.g. screen printed or opaque etching or a durable applied material which is not easily removed.

In addition, any unframed glazed door which operates on a pivot action should have any exposed vertical edge highlighted to contrast visually with surroundings, to assist in identifying the door edge when opening or in an open position. This is particularly important on powered doors.

Manifestation or highlighting of door edges need only be provided within dwellings where glazing installations are unusual. Familiar elements such as patio doors should not usually attract marking.

4.8.3 Cleaning of windows and rooflights

Falls account for most window cleaning accidents, and generally occur from loss of balance through over-extension of reach or due to breakage of part of the building fabric through improper use or access. It is therefore important that all transparent or translucent glazing should be designed so that it may be cleaned safely.

There is, however no need to provide for the safe cleaning of any glazed element that is opaque and does not allow the passage of light.

Any window or rooflight, all or part of which is more than 4m above the adjacent ground or internal floor level, should be constructed so that any external and internal glazed surfaces can be cleaned safely from:

- a. inside the building in accordance with the recommendations of Clause 8 of BS 8213: Part 1: 2004, or
- b. a loadbearing surface, such as a balcony or catwalk, large enough to prevent a person falling further, or
- c. a window access system, such as a cradle or travelling ladder, mounted on the building, as described in Annex C3 of BS 8213: Part 1: 2004.

Rooflight in dwellings - however within a dwelling, any rooflight, all of which is more than 1.8m above both adjacent ground and internal floor level, need not be constructed so that it may be safely cleaned.

Glazing in common areas - in addition to the above three options, any window or rooflight within a common area of a domestic building may be cleaned from a ladder sited on adjacent ground or from an adjacent loadbearing surface which has unobstructed space large enough to allow the safe use of a ladder and which will contain a person from falling further. However a ladder should not be used to access any external or internal glazed surface more than 9m above the surface on which the ladder is sited. General guidance on the safe use of ladders may be found in HSE information sheet MISC613 'Safety in window cleaning using portable ladders'.

Glazing within a roof access hatch, located within a roof space, need not be constructed so that it may be safely cleaned.

When cleaning a window from inside, a person should not have to sit or stand on a window sill or use other aids to reach the external face of a window. The criterion of safety is the ability to reach all points on the surface of the external glazing with only the arm projecting outside the line of the window whilst remaining standing on the floor.

Safe reach - ergonomic statistics on reach capabilities for the UK adult population are given in Annex A of BS 8213: Part 1: 2004. As reach may safely be increased to some degree by use of cleaning implements, it would still be considered reasonable to apply a safe limit to downward reach of 610mm and a safe limit to lateral and vertical reach as an arc with a radius of 850mm measured from a point not more than 1.3m above floor level.

Where the window is to be cleaned from a loadbearing surface noted in subclause (b) to this clause, there should be:

- a means of safe access, and
- a protective barrier not less than 1.1m high to any edge of the surface or access to the surface which is likely to be dangerous.

This method of cleaning is only appropriate where no part of the glazing is more than 4m above the loadbearing surface.

Where there is a need for safe cleaning of glazing, it may be appropriate to consider alternate methods of cleaning, in addition to those listed in the guidance, where an equivalent level of safety can be demonstrated.

4.8.4 Guarding of windows for cleaning

For openable windows on the ground and first floor of a building, or where the outside face of the glazing will not be cleaned from inside the building, no guarding need be provided for

the purpose of cleaning glazing. However the general guidance for provision of protective barriers given in clause 4.4.2 should be followed.

At greater heights, 2 storeys or more above ground level, where it is intended to clean the outside face of the glazing from inside the building, the increased risk from a fall should be recognised and guarding provided to a height of at least 1.1m above floor level.

Where guarding is provided, it should be designed to conform to BS 6180: 2011. All guarding should be permanently fixed and should not be detachable to permit windows to open. Guarding should be designed so that it is not easily climbable by young children.

Guarding to a window is not needed where the open window gives access to a fully guarded balcony.

4.8.5 Access to manual controls

The location of a manual control device can have a significant effect on both the ease of operation of the device and safety in use. Positions that are inaccessible present a greater risk of accident when bending or reaching. Any control that is intended for operation by the occupants of a building should be installed in position that allows safe and convenient use.

This guidance is applicable to manual controls to openable ventilators, including windows and rooflights and to controls and outlets of electrical fixtures located on a wall or other vertical surface. Unless incorporating a restrictor or other protective device for safety reasons, controls should be operable with one hand.

An openable window, rooflight or other ventilator, that provides natural ventilation to meet Standard 3.14, should have controls for opening, positioned at least 350mm from any internal corner, projecting wall or similar obstruction and at a height of:

- not more than 1.7m above floor level, where access to controls is unobstructed, or
- not more than 1.5m above floor level, where access to controls is limited by a fixed obstruction, not more than 900mm high which projects not more than 600mm in front of the position of the controls, such as a kitchen base unit. Where obstruction is greater, a remote means of opening, in an unobstructed location, should be provided, or
- not more than 1.2m above floor level, in an unobstructed location, within an enhanced apartment (see clause 3.11.2) or within accessible sanitary accommodation (see clause 3.12.3) not provided with mechanical ventilation.

The above guidance does not apply to windows or rooflights openable only for cleaning or maintenance purposes or that are controlled by an automatic system, or to trickle ventilators.

Electrical fixtures - outlets and controls of electrical fixtures and systems should be positioned at least 350mm from any internal corner, projecting wall or similar obstruction and, unless the need for a higher location can be demonstrated, not more than 1.2m above floor level. This would include fixtures such as sockets, switches, fire alarm call points and timer controls or programmers. Within this height range:

- light switches should be positioned at a height of between 900mm and 1.1m above floor level
- standard switched or unswitched socket outlets and outlets for other services such as telephone or television should be positioned at least 400mm above floor level. Above an obstruction, such as a worktop, fixtures should be at least 150mm above the projecting surface

Where sockets are concealed, such as to the rear of white goods in a kitchen, separate switching should be provided in an accessible position, to allow appliances to be isolated.

4.9 Danger from heat

Mandatory Standard

Standard 4.9

Every building must be designed and constructed in such a way that protection is provided for people in, and around, the building from the danger of severe burns or scalds from the discharge of steam or hot water.

4.9.0 Introduction

Guidance is given under this standard on a number of issues relating to hot water safety.

Guidance is given to minimise the risk of explosion due to malfunction of an unvented hot water vessel by:

- ensuring that such installations are carried out by appropriately qualified personnel, and
- requiring a minimum range of safety devices be fitted to any such installation to prevent the temperature of the stored water exceeding 100°C.

It is not intended that this guidance should be applied to storage systems with a capacity of less than 15 litres, to systems used solely for space heating or to any system used for an industrial or commercial process.

Guidance is given on systems of up to 500 litres storage capacity, where power input does not exceed 45kW. Installations above this size are not usual in domestic buildings. It is unlikely that many larger installations will be installed in dwellings but if required, additional guidance on such installations is provided to Standard 4.9 of the non-domestic Technical Handbook.

Hot water overflows - guidance is given on provision for the safe removal of the discharge created by the normal operation of safety devices in such an installation and on ensuring discharge of hot water and steam from any installation, unvented or otherwise, to a safe and visible location.

Measures to prevent scalding from hot water are now addressed for certain sanitary facilities used for personal hygiene.

Safety devices installed to protect from hazards such as scalding or the risk of explosion of unvented systems should be maintained to ensure correct operation. Guidance on maintenance can be provided by both manufacturers and installers of such devices.

Conversions - in the case of conversions, as specified in regulation 4, the building as converted shall meet the requirement of this standard (regulation 12, schedule 6).

4.9.1 Installation of unvented hot water storage systems

Installation of an unvented hot water storage system should be carried out by a person with appropriate training and practical experience.

This might include current membership of a registration scheme operated by a recognised professional body. This could include those administered by the Scottish and Northern Ireland Plumbing Employers Federation (SNIPEF) and the Construction Industry Training Board (CITB) or an equivalent body.

The following points should be noted in relation to installation of an unvented hot water storage system:

- the installer should be a competent person and, on completion, the labelling of the installation should identify the installer
- the installed system should meet the recommendations of BS EN 12897: 2006, BS 6700: 2009 as appropriate or be the subject of an approval by a notified body and incorporate the safety devices outlined in clause 4.9.2
- certification of the unit or package should be recorded by permanent marking and a warning label which should be visible after installation. A comprehensive installation/user manual should be supplied
- the tundish and discharge pipework should be correctly located and fitted by the installer and the final discharge point should be visible and safely positioned where there is no risk from hot water discharge.

The operation of the system under discharge conditions should be tested to ensure provision is adequate.

4.9.2 Specification of small unvented hot water storage systems

An unvented hot water storage system should be designed and installed to prevent the temperature of the stored water at any time exceeding 100°C and to provide protection from malfunctions of the system.

An unvented hot water storage system should be in the form of a proprietary unit or package which is in accordance with the recommendations of a relevant standard such as BS EN 12897: 2006, BS 6700: 2009 as appropriate or the subject of approval by a notified body to an equivalent level of safety and performance.

Pressure controls for a unit or package could include:

- a check valve to prevent backflow, and
- a pressure control valve to suit the operating pressure of the system, and
- an expansion valve to relieve excess pressure, and
- an external expansion vessel or other means of accommodating expanded heated water.

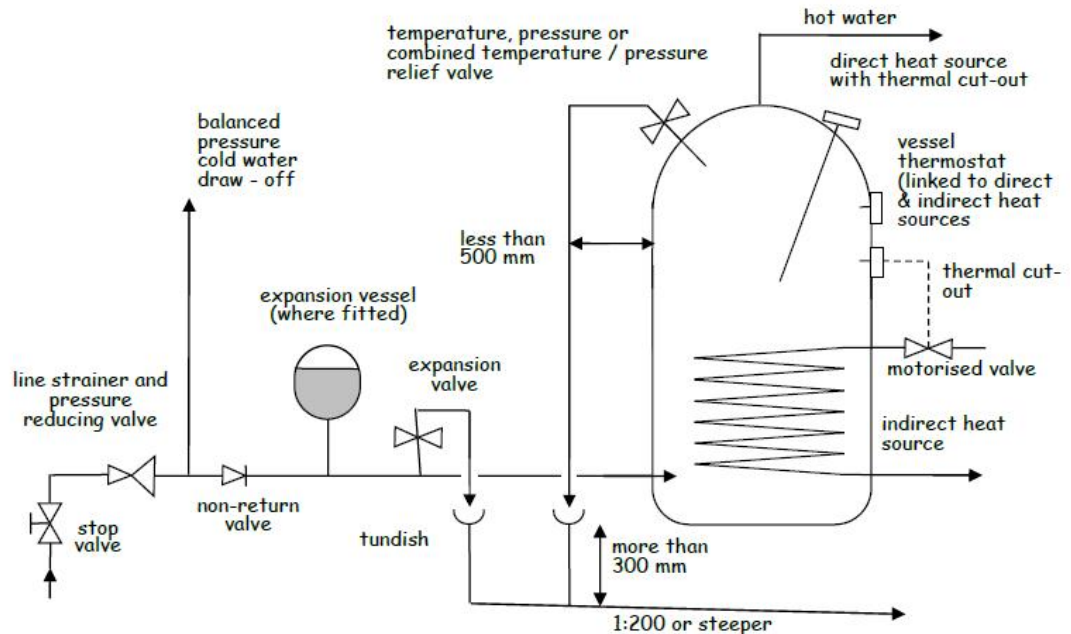
These devices are factory-fitted (unit) or supplied for fitting by the installer (package).

A unit or package should have a minimum of 2 independent safety devices. An acceptable approach could be:

- a non self-resetting thermal cut-out, and
- a temperature or pressure relief valve (or combined temperature/pressure relief valve).

These devices should be in addition to any thermostatic control that is fitted to maintain the temperature of the stored water at around 60°C.

Figure 4.12 Unvented hot water storage system – indirect example



Thermal cut-out - a temperature-operated, non self-resetting, energy cut-out should be fitted to the vessel. In the event of thermostat failure, heating to the water in the vessel should stop before the temperature rises to the critical level required for operation of the safety relief valve.

In indirectly heated vessels, the non self-resetting thermal cut-out should operate a motorised valve, or other similar device, to shut off the flow from the heat source.

On directly heated vessels or where an indirectly heated vessel has an alternative direct method of water heating fitted, a non self-resetting thermal cut-out device should be provided for each direct source.

The safety relief valve should be located directly on the storage vessel. The relief valve should conform to the relevant national standards such as BS 6283 Part 2: 1991 for temperature relief valves or BS EN 1490: 2000 for combined temperature and pressure relief valves which are set to open at temperatures not normally exceeding 90°C.

The relief valve should have a discharge capacity rating at least equal to the rate of energy (power in kilowatts) input to the heat source. In the case of an indirectly heated unit or package, the valve should be tested to discharge water at a rate not less than 500kg/h for systems up to 45kW. The discharge pipework should accommodate this flow rate.

4.9.3 Discharge from unvented hot water storage systems

The removal of discharges of water from the system can be considered in three parts.

Relief valve to tundish - each valve should discharge into a metal pipe not less than the nominal outlet size of the valve. The discharge pipe should have an air-break, such as a

tundish, not more than 500mm from the vessel relief valve and located in an easily visible location within the same enclosure. Discharge pipes from more than one relief valve may be taken through the same tundish.

Pipework should be installed so that any discharge will be directed away from electrical components should the discharge outlet become blocked.

Tundish to final discharge point - the presence of this air break results in the pressure of the final discharge being no higher than that of a vented system.

The discharge pipe from the tundish to final discharge point should be of a material, usually copper, capable of withstanding water temperatures of up to 95°C and be at least one pipe size larger than the outlet pipe to the relief valve. A vertical section of pipe, at least 300mm long, should be provided beneath the tundish before any bends to the discharge pipe; thereafter the pipe should be appropriately supported to maintain a continuous fall of at least 1 in 200 to the discharge point.

The pipework should have a resistance to the flow of water no greater than that of a straight pipe 9m long unless the pipe bore is increased accordingly. Guidance on sizing of pipework from the tundish to the final discharge point is shown in the following table:

Table 4.8 Size of discharge pipework

Valve outlet size	Minimum size of discharge pipe to tundish	Minimum size of discharge pipe from tundish	Maximum resistance allowed, expressed as a length of straight pipe i.e. no elbows or bends	Equivalent resistance created by the addition of each elbow or bend
G ½	15mm	22mm	Up to 9m	0.8m
		28mm	Up to 18m	1.0m
		35mm	Up to 27m	1.4m
G ¾	22mm	28mm	Up to 9m	1.0m
		35mm	Up to 18m	1.4m
		42mm	Up to 27m	1.7m
G 1	28mm	35mm	Up to 9m	1.4m
		42mm	Up to 18m	1.7m
		54mm	Up to 27m	2.3m

Annex D to BS 6700: 1997 "Specification for design, installation, testing and maintenance of services supplying water for domestic use within buildings and their curtilages" also gives guidance on pipe sizing for water distribution systems.

Discharge pipe termination

The pipe termination should be in a visible location and installed so that discharge will not endanger anyone inside or outside the building.

Ideally, the final discharge point should be above the water seal to an external gully and below a fixed grating. Other methods for terminating the final discharge point would include:

- a. up to 100mm above external surfaces such as car parks, grassed areas, or hard standings; a wire cage or similar guard should be provided to both prevent contact with discharge and protect the outlet from damage, whilst maintaining visibility
- b. at high level into a hopper and downpipe of a material, such as cast iron, appropriate for a hot water discharge with the end of the discharge pipe clearly visible
- c. onto a flat roof or pitched roof clad in a material capable of withstanding high temperature discharges of water, such as slate/clay/concrete tiles or metal sheet, with the discharge point a minimum of 3m from any plastic guttering system that would collect such discharges.

Discharge at high level may be possible if the discharge outlet is terminated in such a way as to direct the flow of water against the external face of a wall. However evidence of the minimum height of the outlet above any surface to which people have access and the distance needed to reduce the discharge to a non-scalding level should be established by test or otherwise.

4.9.4 Discharge of steam or hot water

Any vent or overflow pipe of a hot water system should be positioned so that any discharge will not endanger anyone inside or outside the building.

The discharge point of such pipework should be provided in accordance with the guidance given for termination in clause 4.9.3.

4.9.5 Hot water discharge from sanitary fittings

Guidance to the Water Byelaws recommends that, to prevent the development of Legionella or similar pathogens, hot water within a storage vessel should be stored at a temperature of not less than 60°C and distributed at a temperature of not less than 55°C.

If water is supplied at high temperature from any source, there is a danger of scalding to building users. Risk of severe injury increases proportionally with increase in temperature and with extent of contact.

To prevent scalding, the temperature of hot water, at point of delivery to a bath or bidet, should not exceed 48°C.

A device or system limiting water temperature should not compromise the principal means of providing protection from the risk of Legionella. It should allow flexibility in setting of a delivery temperature, up to a maximum of 48°C, in a form that is not easily altered by building users. This will allow reduction of temperature where, for example, facilities are used by those more at risk from injury, such as elderly people or unsupervised children.

Where both hot and cold water are supplied to a facility, the above may be achieved by use of a thermostatic mixing valve (TMV) or fitting complying with BS EN 1111: 1999 or BS EN 1287: 1999, fitted as close to the point of delivery as practicable. Guidance on the installation, use and maintenance of thermostatic mixing valves and fittings for domestic-scale applications may be found in BRE information Paper IP 14/03 or from the Thermostatic Mixing Valve Association (TMVA).

Where a dwelling is altered or extended, but not converted, and new sanitary facilities are provided, some primary heat sources, such as older combination boilers, may not be suited to temperature control in the manner given above. In such cases, advice should be sought from equipment manufacturers on compatible means of limiting hot water temperature to controlled facilities.

The non-domestic Handbook should be referred to for duties under Health & Safety legislation relevant to any part of a dwelling used as a place of work.

4.10 Fixed seating

Mandatory Standard

Standard 4.10

Every building, which contains fixed seating accommodation for an audience or spectators, must be designed and constructed in such a way that a number of level spaces for wheelchairs are provided proportionate to the potential audience or spectators.

Limitation:

This standard does not apply to domestic buildings.

4.10.0 Introduction

This standard does not apply to domestic buildings.

4.11 Liquefied petroleum gas storage

Mandatory Standard

Standard 4.11

Every building must be designed and constructed in such a way that each liquefied petroleum gas storage installation, used solely to serve a combustion appliance providing space heating, water heating, or cooking facilities, will:

- a. be protected from fire spreading to any liquefied petroleum gas container, and
- b. not permit the contents of any such container to form explosive gas pockets in the vicinity of any container.

Limitation:

This standard does not apply to a liquefied petroleum gas storage container, or containers, for use with portable appliances.

4.11.0 Introduction

This guidance deals with non-domestic supply installations where liquefied petroleum gas (LPG) is stored under pressure at ambient temperatures in fixed vessels larger than 75 kg LPG capacity.

Guidance is also given on the storage of LPG within grouped cylinders, when connected to a supply installation.

The intention of the guidance to this standard is to minimise both the risk of fire spreading to the tank and of the contents of the tank forming explosive gas pockets in the vicinity of any LPG storage container.

All persons concerned with the storage and use of LPG should be aware of the following characteristics and potential hazards:

- the two forms of liquefied petroleum gases that are generally available in the UK are commercial butane and commercial propane
- LPG is stored as a liquid under pressure. It is colourless and its weight as a liquid is approximately half that of the equivalent volume of water
- LPG vapour is denser than air, commercial butane being about twice as heavy as air. Therefore the vapour may flow along the ground and into drains, sinking to the lowest level of the surroundings and may therefore be ignited at a considerable distance from the source of the leakage. In still air, vapour will disperse slowly
- when mixed with air, LPG can form a flammable mixture
- leakage of small quantities of the liquefied gas can give rise to large volumes of vapour/air mixture and thus cause considerable hazard
- owing to its rapid vaporisation and consequent lowering of temperature, LPG, particularly in liquid form, can cause severe frost burns if brought into contact with the skin
- a container that has held LPG and is 'empty' may still contain LPG in vapour form and is thus potentially dangerous.

Conversions - in the case of conversions, as specified in regulation 4, the building as converted shall meet the requirement of this standard (regulation 12, schedule 6).

4.11.1 LPG storage installations

The type, size and location of an LPG storage installation will determine the factors that should be addressed in the construction of the facility, to comply with health and safety requirements.

The UKLPG produces and maintains Codes of Practice which give guidance on achieving levels of risk appropriate to compliance with health and safety legislation for the design, construction and operation of LPG installations. These Codes have been produced in consultation with the Health and Safety Executive (HSE). <http://www.hse.gov.uk/>

The operation of properties where LPG is stored or is in use are subject to legislation enforced by both the HSE and by the Local Authority.

4.11.2 LPG storage – fixed tanks

A liquefied petroleum gas storage tank, together with any associated pipework connecting the system to a combustion appliance providing space or water heating, or cooking facilities, should be designed, constructed and installed in accordance with the requirements set out in the UKLPG Code of Practice 1: 'Bulk LPG Storage at Fixed Installations'.

Above-ground tanks should be in accordance with Part 1 – 'Design, Installation and Operation of Vessels Located Above Ground', as amended.

Below-ground tanks should be in accordance with Part 4 – 'Buried/Mounded LPG Storage Vessels', as amended.

For propane installations, above or below-ground, of not more than 2 tonnes (4500 litres) overall capacity, reference may be made to the simplified guidance given in the UKLPG Code of Practice 1: 'Bulk LPG Storage at Fixed Installations': Part 2 – 'Small Bulk Propane Installations for Domestic and Similar Purposes', as amended.

Guidance given in this clause is relevant for all tanks, though specific criteria are noted for tanks below 4 tonnes (9000 litres) LPG capacity. LPG storage tanks in excess of 4 tonnes LPG capacity are uncommon in domestic applications. Guidance for larger installations is contained within the relevant Part of the Code of Practice.

Every tank should be separated from a building, boundary, or fixed source of ignition, to:

- a. in the event of fire, reduce the risk of fire spreading to the tank and
- b. enable safe dispersal in the event of venting or leaks.

Tanks should be situated outdoors, in a position that will not allow accumulation of vapour at ground level. Ground features such as open drains, manholes, gullies and cellar hatches, within the separation distances given in column (A) of the table below should be sealed or trapped to prevent the passage of LPG vapour.

Tanks should be separated from buildings, boundaries or fixed sources of ignition in accordance with the following table:

Table 4.9 Separation distances for liquefied petroleum gas storage tanks

Maximum capacity (in tonnes)		Minimum separation distance for above ground tanks (in metres)		
of any single tank	of any group of tanks	From a building, boundary or fixed source of ignition to the tank		between tanks
		A - no fire wall [1]	B - with fire wall [1]	
0.25	0.8	2.5	0.3 [2]	1.0
1.1	3.5	3.0	1.5 [2]	1.0
4.0	12.5	7.5	4.0	1.0

Additional information:

1. Fire wall means a wall or screen meeting the guidance for an external wall with a fire resistance of short duration (Section 2, Fire) within 1m of the boundary, and located between 1m and 1.5m from the tank and extending:
 - a. longitudinally: so that the distance specified above without the fire wall is maintained when measured around the ends of the fire wall, and
 - b. vertically: 2m or the height to the top of the pressure relief valve, whichever is greater.
2. For vessels up to 1.1 tonnes capacity, the fire wall need be no higher than the top of the pressure relief valve and may form part of the site boundary. For vessels up to 1.1 tonnes capacity located closer to a building than the separation distance in column (A) of the above table, the fire wall should form part of the wall of the building in accordance with the diagram below. Where part of the building is used for residential accommodation (or as a dwelling), such a fire wall should meet the guidance for an external wall with a fire resistance of medium duration (Section 2, Fire).

Where a group of tanks are sited together, the number of tanks in a group should not exceed 6 and the total storage capacity of the group should not be more than that given for any group of tanks in the table above.

Figure 4.13 Separation or shielding of a LPG tank from a building, boundary or fixed source of ignition

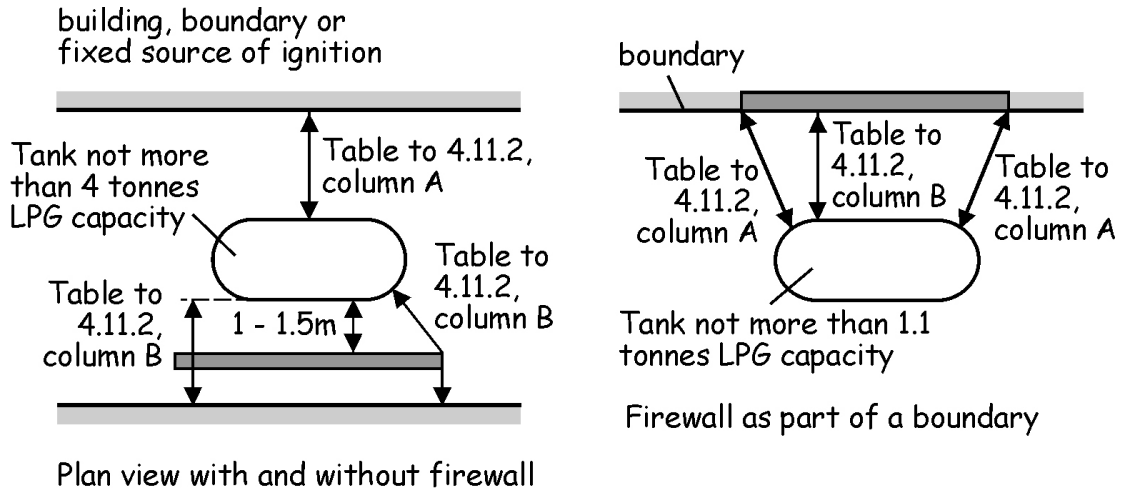
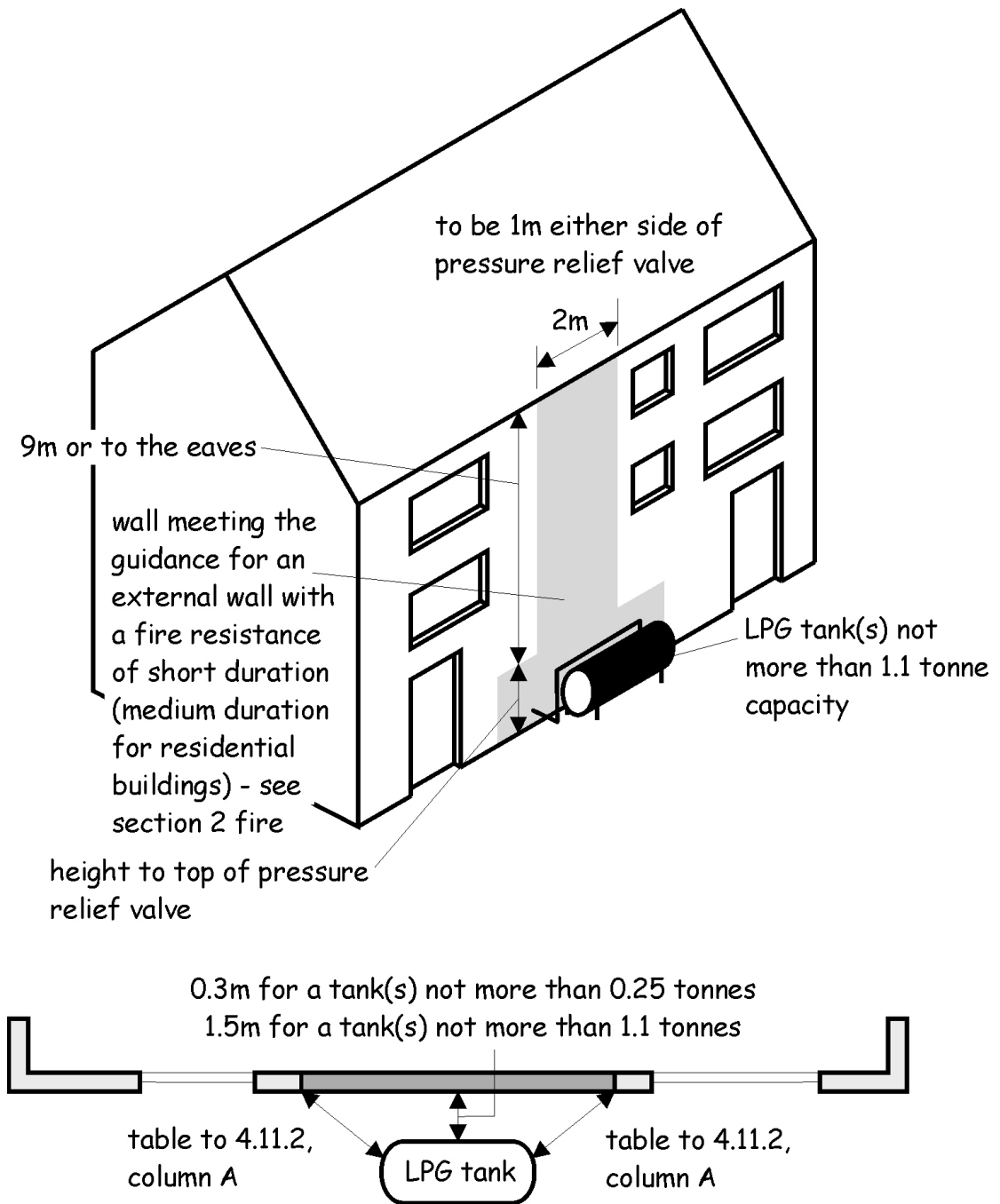


Figure 4.14 Small LPG tank close to a building



Motor vehicles under the control of a site occupier should be parked at least 6m from LPG tanks or the separation distance in column (A) of the table to this clause, whichever is the smaller. This does not apply to the loading/unloading of vehicles. Motor vehicles not under site control (e.g. those belonging to members of the public) should be parked no closer than the separation distance in column (A) of the table to this clause.

4.11.3 LPG storage - cylinders

Where an LPG storage installation consists of a set of cylinders, the installation should be in accordance with the UKLPG Code of Practice 24: 'Use of LPG cylinders': Part 1 - 'The Use of Propane in Cylinders at Residential Premises'.

Use of cylinders in a domestic installation commonly takes the form of 2 sets of paired cylinders connected to a manifold, with supply provided from one pair of cylinders at any one time. This allows continuous supply to be maintained when changing empty cylinders.

Any installation should enable cylinders to stand upright, secured by straps or chains against a wall outside the building.

Cylinders should be positioned on a firm, level base such as concrete at least 50mm thick or paving slabs bedded on mortar, and located in a well-ventilated position at ground level, so that the cylinder valves will be:

- a. at least 1m horizontally and 300mm vertically from openings in the buildings or from heat source such as flue terminals or tumble dryer vents
- b. at least 2m horizontally from untrapped drains, unsealed gullies or cellar hatches unless an intervening wall not less than 250mm high is present.

Cylinders should be readily accessible, reasonably protected from physical damage and located where they do not obstruct escape routes from the building.

4.12 Vehicle protective barriers

Mandatory Standard

Standard 4.12

Every building accessible to vehicular traffic must be designed and constructed in such a way that every change in level is guarded.

4.12.0 Introduction

Where vehicles are introduced into a building, measures should be taken to protect people from any additional risks presented. Where areas subject to vehicular traffic are at a level higher than adjacent areas, such as on ramps or platforms, precautions should be taken to ensure that vehicles can not fall to a lower level.

In the assessment of the type of barrier to be provided, the designer should give consideration to the likely hazards, the building use and the risks to building users.

Conversions - in the case of conversions, as specified in regulation 4, the building as converted shall meet the requirement of this standard (regulation 12, schedule 6).

4.12.1 Vehicle protective barriers

If vehicles have access to a floor, roof or ramp that forms part of a building, a vehicle protective barrier should be provided to the edge of any such area that is above the level of any adjoining floor, ground or any other route for vehicles.

When designing barriers to resist vehicular impact, an estimate of the characteristic mass of the vehicle should be made. Ideally, this should be determined statistically. If this is not possible, the characteristic mass should be taken to be equal to the maximum mass anticipated. Further information on estimation of equivalent static forces for a given characteristic mass and displacement can be obtained in Annex A to BS 6180: 2011.

The designer should, wherever possible, avoid introducing projections on the vehicular face of the barrier and should also consider methods of redirecting vehicles in such a way as to cause minimum damage after impact.

A vehicle protective barrier should be:

- a. capable of resisting loads calculated in accordance with BS EN 1991-1-1 and the associated/PD 6688-1-1, and
- b. of a height at least that given in the table below:

Table 4.10 Height of vehicle protective barriers

Location	Minimum height in mm
Floor or roof edge	375
Ramp edge	610

The minimum height for these barriers relates to the height at which imposed load is applied as described in BS EN 1991-1-1.

In locations used by both vehicles and pedestrians, such as parking areas, additional barrier criteria may apply to edges and changes in level as described in clauses 4.4.1 and 4.4.2.

4.13 Security

Mandatory Standard

Standard 4.13

Every building must be designed and constructed in such a way that doors and windows, vulnerable to unlawful entry, can be secured to deter housebreaking and protect the safety and welfare of occupants.

Limitation:

This standard applies only to domestic buildings.

4.13.0 Introduction

Whilst police statistics show signs of housebreaking decreasing since 1999, people's perception of their likelihood of falling victim to this type of crime continues to increase. The 2003 Scottish Crime Survey identified that one in ten people consider it 'very' or 'fairly' likely that their home would be broken into within the next twelve months. This is an increase on the same response in 2000 and is double the proportion of households who were actually victims of housebreaking in preceding years.

As almost half of the recorded incidents of housebreaking occur when a property is occupied, it is not surprising that housebreaking is rated amongst the crimes that cause people most concern and worry. However basic measures to improve the physical security of dwellings, including robust specification of doors, windows, glazing and locks, can act deter the opportunist thief.

Guidance to other standards is also relevant to promoting a more secure environment as follows:

- lighting of common entrances and dwelling entrances (Standard 4.1)
- lighting within the common areas of domestic buildings and access control systems to common entrances (Standard 4.6)
- ensuring security measures do not adversely affect means of escape (Standard 2.9).

'Secured by Design' is the established police initiative to design out elements within development that may contribute to housebreaking and other crimes. 'Secured by Design' accreditation considers site design and layout as well as physical security measures and offers a more comprehensive solution than those physical provisions set out within this standard. As 'Secured by Design' is assessed on a site-specific basis, the police can also offer recommendations on appropriate additional measures in areas where the risk of crimes, such as housebreaking, are considered greater. Information on the scheme can be found online at <http://www.securedbydesign.com/>.

Conversions - in the case of conversions, as specified in regulation 4, the building as converted shall meet the requirement of this standard (regulation 12, schedule 6).

4.13.1 Physical security of doors and windows

The two most common means of unlawful entry into a dwelling are through doors or windows, where these are either left open or can be easily forced open. The level of security of any dwelling can be significantly enhanced by ensuring that all external doors and any windows or glazing in vulnerable locations are manufactured and installed to resist forced entry and also that unauthorised entry into common areas is prevented.

Doors should be designed and installed to resist forced entry at:

- an external door to a dwelling or common area of a domestic building, and
- an entrance or egress door to a flat or maisonette, and
- a door between a dwelling and a conservatory or garage.

Windows and glazing should be designed and installed to resist forced entry where:

- located at ground floor level and easily accessible, or
- where otherwise easily accessible from outside, such as by climbing on building projections.

There are a number of ways in which this can be achieved:

- a. by meeting the recommendations for physical security in Section 2 of 'Secured by Design' (ACPO, 2009) <http://www.securedbydesign.com/>, or
- b. by use of doorsets and windows which are tested and certified by a notified body as meeting a recognised standard for security, or
- c. by use of doorsets and windows manufactured to meet recognised product standards and defined component performance.

The baseline recommendations in (c) are relevant to all such doors and windows.

4.13.2 Doors and windows – 'Secured by Design'

'Secured by Design' (ACPO, 2009) offers a comprehensive solution to the security of dwellings, addressing site design and layout as well as detailed physical security measures. It is particularly relevant to new build or building conversions involving multiple units.

A door or window in the locations described in clause 4.13.1 should meet the recommendations for physical security in Section 2 of 'Secured by Design'.

Information on Secured by Design and its application can be found online at www.securedbydesign.com.

4.13.3 Doors and windows – product accreditation

A door or window in the locations described in clause 4.13.1 should be tested and certified by a notified body as meeting a recognised standard for security such as PAS 24: 2007 for doorsets or BS 7950: 1997 for windows.

4.13.4 Doors and windows – product standards and component performance

To ensure a robust, basic standard of security, a doorset or window in the locations described in clause 4.13.1 should be designed and constructed in accordance with the general recommendations of the product standard appropriate for the material used, such as:

- BS 7412: 2007, for PVCu units
- BS 644: 2012, for timber windows and doorsets
- BS 4873: 2009, for aluminium alloy units
- BS 6510: 2010, for steel-framed units.

Vulnerable windows should be constructed to resist attempts to force frames and, if openable, ironmongery. Windows which can be opened should be fitted with either:

- a keyed locking system that uses a removable key, or
- a keyless locking system, together with glazing which incorporates laminated glass or a similarly robust glazing material.

Where a material standard for a doorset is not available, it should be designed and constructed in accordance with the recommendations in Annex A of BS 8220-1: 2000, together with the following recommendations, to ensure a robust basic standard of security.

If single swing the doorset should be fitted with at least one and a half pairs of hinges meeting the recommendations of BS EN 1935: 2002 for hinge grade 11 or above. Hinges fitted to an outward-opening door should be of a type that does not permit the hinge pin to be removed unless the door is open. Otherwise, hinge bolts should be fitted to ensure the door leaf will remain secure when closed.

A doorset should include a single-point locking device to BS 3621: 2007 (for keyed egress) or to BS 8621: 2007 (for keyless egress) or a multipoint locking system. A deadlocking facility should be provided. Any lock cylinder should be in accordance with BS EN 1303: 2005, grade 5 key security and grade 2 attack resistance as a minimum.

To limit unauthorised access, a communal entrance door fitted with an access control system (see clause 4.6.3) should be self-closing and self-locking, with keyless operation of any lock from within the common area. To accommodate access control systems, a doorset may incorporate electronic or magnetic remote release and a means of access which includes keyless electronic solutions (keypad, proximity swipe, etc).

Access to door locks from outside by breaking of glazing, in or adjacent to a door leaf should be prevented by use of laminated glass or a similarly robust glazing material.

A sliding door should have a multi-point deadlocking system with 3 or more hook or similar bolts. To prevent removal of the door, an anti-lift device should be fitted. Shoot bolts, if used, should locate into the head of the frame.

A doorset with more than one door leaf should include a means of securing any secondary leaf at head and foot to allow the primary leaf to be securely locked.

4.13.5 Installation and fixing of doors and windows

Inadequate fixing into the surrounding structure will significantly affect the security performance of a doorset or window. In most cases, fixings designed to resist normal anticipated loads, such as from wind and accidental impact, will also ensure that a doorset or window is secure against the more common basic methods of forced entry.

To ensure a robust installation, fixing of a doorset or window should be in accordance with:

- the recommendations given in section 8 of BS 8213-4: 2007, or
- manufacturer's written instructions where these meet or exceed the recommendation within this British Standard.

4.14 In-building physical infrastructure for high-speed electronic communications network

Mandatory Standard

Standard 4.14

Every building and building unit must be designed and constructed in such a way that -

- a. a high-speed ready in-building physical infrastructure up to a network termination point for high-speed electronic communications network is provided; and**
- b. in the case of a building which contains more than one building unit, a common access point for high-speed electronic communications networks is provided.**

Limitation:

This standard does not apply to –

- a. alterations or extensions to buildings that do not include major renovation works; or
- b. buildings having an area not exceeding 30 square metres, ancillary to and within the curtilage of a dwelling.

4.14.0 Introduction

Being online is not only a useful communication tool, it is also becoming increasingly important to individuals in their day to day lives. It enables them to access online shopping

and banking, search for tradespeople and other businesses, interact with local and central government services and research many other areas of interest. Further information on digital technology, including the roll-out of superfast broadband in Scotland can be found on the Digital Scotland Website (<http://www.digitalscotland.org/about-digital-scotland/>).

European Directive 2014/61/EU is intended to reduce the cost of rolling out high-speed fixed and wireless electronic communications networks. This standard and guidance implements Article 8 of the Directive 2014/61/EU, which requires Member States to ensure that newly constructed buildings are equipped with a “high-speed-ready in-building physical infrastructure” to facilitate the cost-effective installation of cabling providing a minimum broadband speed of 30 megabits per second (Mbps).

The remainder of the Directive, which covers the wider network, has been transposed at UK level under The Communications (Access to Infrastructure) Regulations 2016.

The main technologies for delivering high-speed broadband to residential and small commercial buildings are set out in OFCOM's Infrastructure Report 2014 (<http://stakeholders.ofcom.org.uk/binaries/research/infrastructure/2014/infrastructure-14.pdf>) and consist of:

- a combination of fibre and what was originally cable television wiring - where fibre is provided between an exchange and a cabinet, and the existing copper coaxial cable is used to deliver speeds of up to 152 Mbps
- a combination of fibre and telephone wiring - where fibre is provided between an exchange and a cabinet, and the existing twisted pair copper phone wire line is used to deliver speeds of up to 76 Mbps, and
- fibre only technology - relying entirely on fibre to connect buildings to the exchange and deliver speeds of up to 1 Gbps.

The guidance to this standard provides the minimum provision necessary to meet the objectives of Article 8 of European Directive 2014/61/EU, with the exception of paragraph 8(3) as there is currently no formal “broadband ready” label adopted in the UK. It should be noted that the standard and guidance do not consider provisions for external infrastructure beyond the "site" of the building, commonly known as the 'footprint'.

Conversions - in the case of conversions, as specified in regulation 4, the building as converted shall meet the requirements of this standard in so far as is reasonably practicable, and in no case be worse than before the conversion (regulation 12, schedule 6).

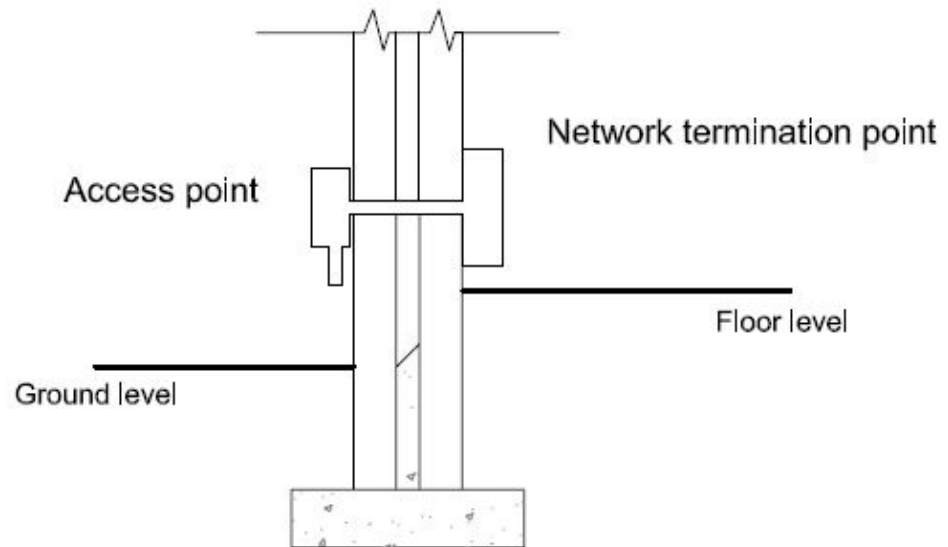
4.14.1 In-building physical infrastructure in dwellings

A dwelling should be provided with in-building physical infrastructure to allow for the future installation of a service provider's network cabling and associated equipment to the end user's location, with minimal disruption to the fabric of the building.

In a house the in-building physical infrastructure will usually consist of ducting through the external wall and may include the underbuilding. The type, size and routing of ducting should be designed to suit the technology (including cabling) that is, or may be expected to be, available to the building. Horizontal ductwork through external walls should slope downwards to the outside to prevent the possibility of water ingress and be fitted with suitable temporary seals at both ends, to allow easy access for cable installation.

Figure 4.15 indicates one arrangement suitable for in-building physical infrastructure serving a single occupancy building.

Figure 4.15 Typical in-building infrastructure for a house



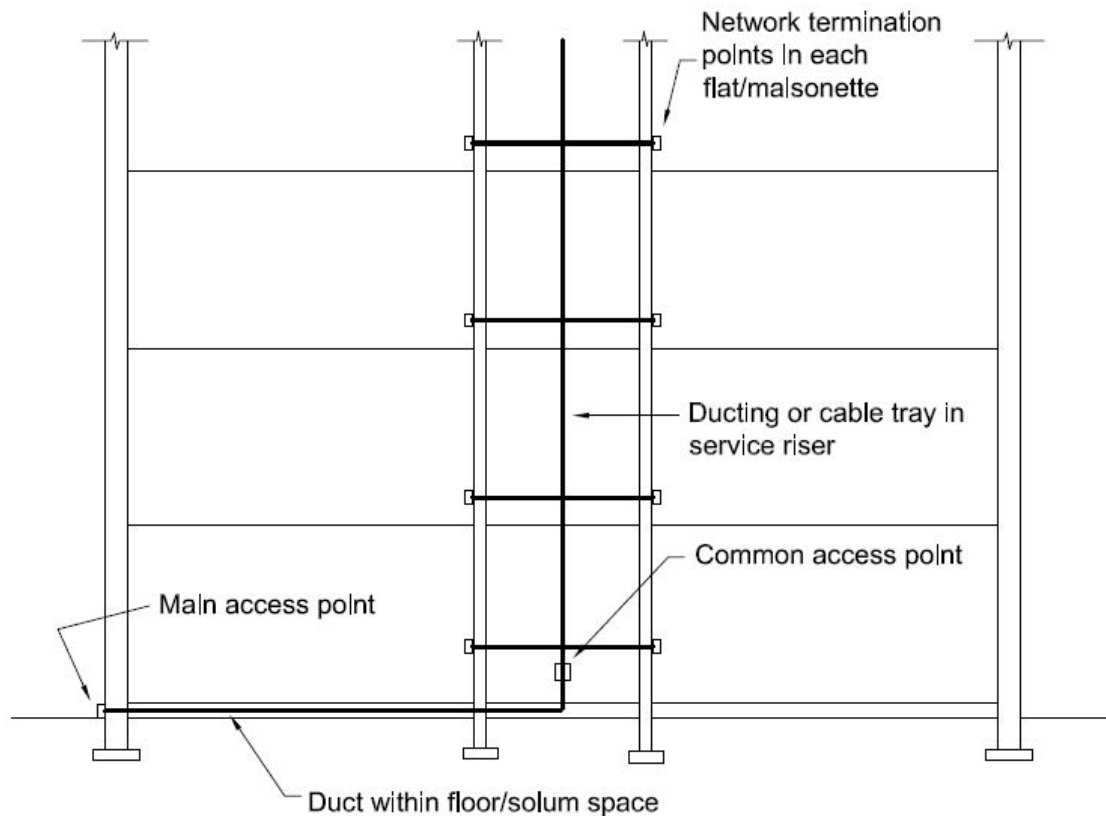
In flats and maisonettes the in-building physical infrastructure should be taken to an individual network termination point within each flat or maisonette. Such infrastructure may consist of a single duct from a main access point outside the building, leading to a common access point within the building, which is usually located in a communal service riser. The infrastructure from the common access point to the individual termination points may be either:

- a. a single duct, appropriately sized and designed to suit the technology (including cabling) that is, or may be expected to be, available to the building and should be continuous from the common access point to the network termination point within each flat or maisonette, or
- b. a cable tray taken to an appropriate point adjacent to each flat or maisonette with a suitably sized duct connecting the cable tray to a network termination point within each flat or maisonette.

Figure 4.16 indicates one arrangement suitable for in-building physical infrastructure serving flats or maisonettes.

All ductwork and cable tray installations, including those entering flats or maisonettes, should be designed and installed to take into account Section 2 (Fire), Section 5 (Noise) and Section 6 (Energy), having regard to the seals and fire-stopping, whilst allowing easy access for cable installation.

Figure 4.16 Typical in-building infrastructure for flats and maisonettes



Consideration should be given to any additional works that may be necessary to facilitate the future installation of cabling, for example draw ropes within ducts. Where the internet service provider is known, they should be consulted.

Further information on infrastructure and cabling for broadband in new dwellings can be found in Publicly Available Specification (PAS) 2016 Next generation access for new build homes – Guide, available at https://www.gov.uk/government/uploads/system/uploads/attachment_data/file/78511/10-1339-pas-2016-next-generation-access-new-build-guide.pdf

4.14.2 Satellite and wireless communications

Although the preferred option for providing high-speed internet to the site of a building will usually be cable, it is recognised that there may be instances where this is not practical, for example in remote areas. In such cases in-building physical infrastructure suitable for satellite or wireless communications should be provided in place of the infrastructure for cable or fibre where a minimum network speed of 30 Mbps is, or will be, available.

Noise

5.0 Introduction

5.0.1 Background

Noise is unwanted sound. In order to limit the effects of unwanted sound the standards intend to improve the resistance of building elements to sound transmission. Research has presented clear evidence that noise can indirectly contribute to a range of health issues such as stress and anxiety.

Inadequate sound insulation can impair health by allowing noise from other people to disrupt normal life. A number of people in attached homes complain of neighbour noise. The World Health Organisation has established a relationship between noise exposure and sleep disturbance. However, the short or long-term effects are still not clear. Over the years, several pieces of legislation relating to noise (see clause 5.0.9) have been introduced which provide some degree of control of 'noisy neighbours'.

Noise generated within a dwelling, to some extent, is under the control of the occupants but can still create tension within a family. The provision of sound absorption between rooms should allow people a degree of privacy as they go about their everyday activities.

5.0.2 Aims

The purpose of the standards in Section 5 is to limit the transmission of sound to a level that will not threaten the health of occupants from sound transmission emanating from attached buildings and a differently occupied part of the same building. They also cover sound from within the same dwelling if occupants are in rooms where they would expect to have some degree of peace and quiet.

It is important to recognise that the standards will not guarantee freedom from unwanted sound transmission. The standards aim to limit the effects from sound levels created from normal domestic activities, but not from excessive noise from things such as power tools, audio systems inconsiderately played at high volume or even raised voices. The standards do not address environmental noise through the building facade from sources such as aircraft, trains, road traffic or industry. Other legislation covers these areas and further information may be obtained from Planning Advice Note PAN 1/2011 'Planning and Noise'.

Home improvements were previously not considered an issue, whereas some can now create a noise nuisance. For example, lifting carpets and replacing them with laminate flooring can have an adverse affect on sound transference in buildings, and particularly on occupants of flats. A leaflet giving further information on home improvements is available at <http://www.scotland.gov.uk/topics/built-environment/building/building-standards>.

5.0.3 Latest changes

The following is a summary of the main changes that have been introduced since 1 October 2010.

- Standard 5.1 - removal of guidance regarding the phased introduction of sound tests; and references made in guidance to 'Robust Details (Scotland)'.
- Standard 5.2 - guidance on sound insulation level between rooms in dwellings.

5.0.4 Explanation of terms

There are a number of terms used in this section some are included below, these and other useful terms are included in Annex A of the Example Constructions.

Airborne sound is sound which is propagated from a noise source through the medium of air. Examples of these are speech and sound from a television.

Airborne sound transmission is direct transmission of airborne sound through walls or floors. When sound energy is created in a room, for instance by conversation, some of the energy is reflected or absorbed by room surfaces but some may set up vibrations in the walls and floor. Depending on both the amount of energy and the type of construction, this can result in sound being transmitted to adjacent parts of the building.

Direct transmission refers to the path of either airborne or impact sound through elements of construction.

$D_{nT,w}$ is the weighted standardised level difference. A single-number quantity (weighted) which characterises the airborne sound insulation between two rooms, in accordance with BS EN ISO 717-1: 1997.

Flanking transmission is airborne or impact transmission between rooms that is transmitted via flanking elements and/or in flanking elements in conjunction with the main separating elements. An example of a flanking element is the inner leaf of an external wall that connects to the separating 'core' of a wall or floor.

Impact sound is sound which is propagated from a noise source through a direct medium. An example of this is footfall on a floor.

Impact sound transmission is sound which is spread from an impact noise source in direct contact with a building element.

$L'_{nT,w}$ is the weighted standardised impact sound pressure level. A single-number quantity (weighted) to characterise the impact sound insulation of floors, in accordance with BS EN ISO 717-2: 1997.

R_w is a single number quantity (weighted) which characterises the airborne sound insulation of a building element from measurements undertaken in a laboratory, in accordance with BS EN ISO 717-1: 1997.

5.0.5 Reduction of sound transmission

The reduction of sound transmission from attached buildings, or part of the same building, and sound from within the same dwelling can be provided through different mechanisms which involve; mass, isolation, absorption, resilience and stiffness (see annex A of the Example Constructions). Wall and floor constructions that provide a combination of such mechanisms generally provide better sound insulation.

Good design incorporates at least 2 or more of the above mechanisms and can reduce a range of sound frequencies typically found in attached dwellings.

The effects these variables can have in predicting both sound transmission and insulation are as follows:

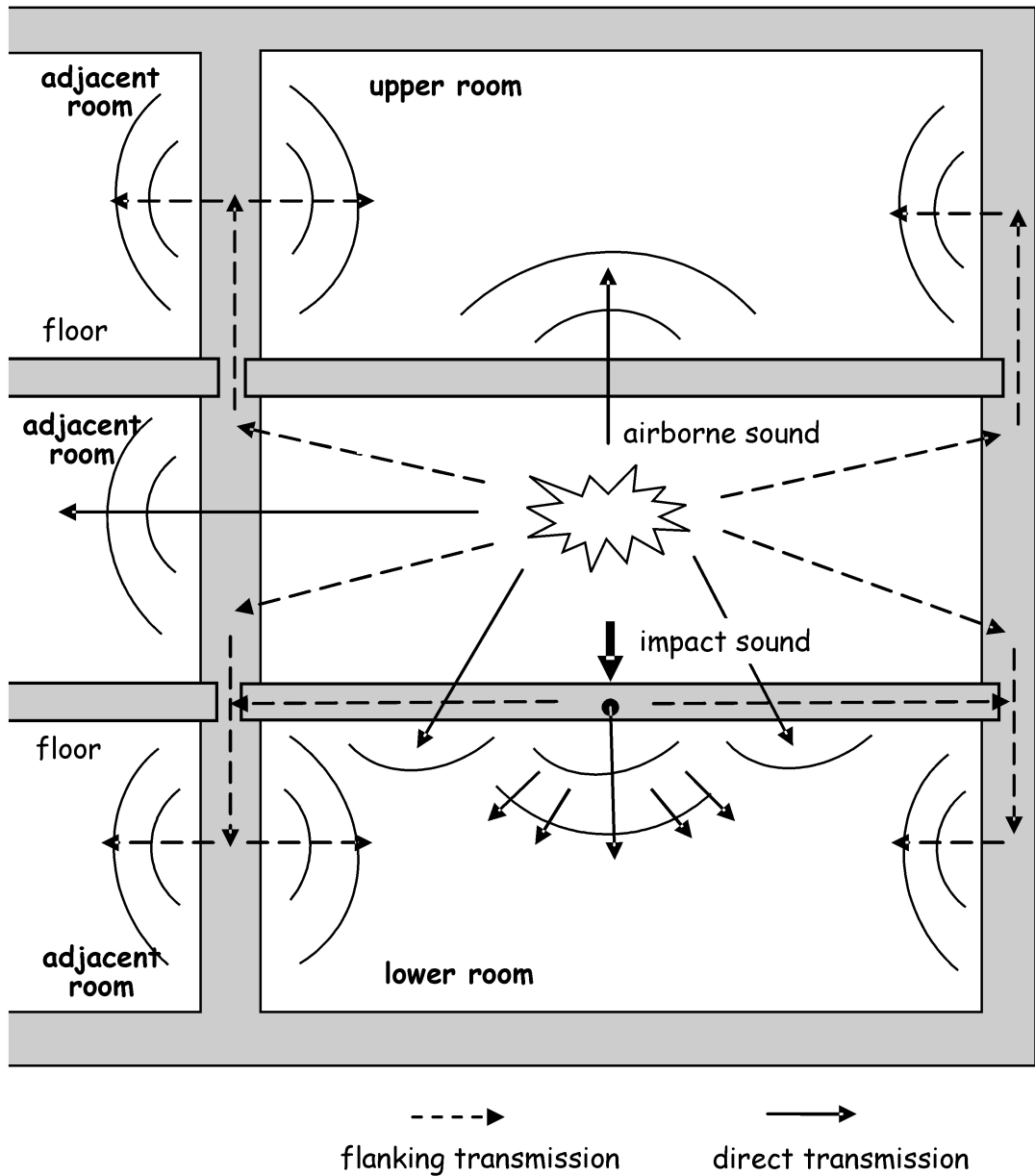
- through a heavyweight wall or floor it is its mass per unit area. A reduction in sound transmission and increase in sound insulation are expected with increasing mass, as the heavier the wall or floor, the less it vibrates in response to sound waves and hence the

less sound energy is radiated. For example, heavyweight constructions such as masonry cavity walls provide mass and isolation

- through a lightweight wall or floor it is the use of cavities, isolation and absorption. A reduction in sound transmission and an increase in sound insulation are expected by the use of cavities with fewer and less stiff connections, while absorptive material hung in the wall cavity will absorb mid to high frequency sound energy. The formation of narrow cavities, such as dry linings on dabs, can also create an unwelcome 'drum' effect at low frequencies and filling or lining them with absorbing material can help to reduce this. For example in lightweight constructions such as timber frame walls, the twin stud of the timber frame provides isolation, stiffness and absorption
- resilience is needed for separating floors in flats where there is direct vibration impact such as footfall noise. Resilience reduces the impact vibration by dynamic movement and also converts the energy into heat. Examples of resilient elements for floors include floating floor treatments such as battens and cradles, resilient bars and resilient floor coverings, other than carpet
- mass and stiffness help to reduce significantly low frequency sound transmission whereas absorption and resilience predominantly reduce mid and high frequency sound transmission
- isolation has the most influence over all frequencies of sound but can be limited by structural connections such as wall ties, straps and fixings that may bridge isolated leaves or elements.

Figure 5.1 principle of sound transmission paths

Principle of sound transmission paths, refer to clause 5.0.6 - 5.0.8



5.0.6 Principles of airborne sound transmission

When sound waves strike a wall or floor, the pressure variations cause the construction to vibrate. A portion of the vibrational energy on the sound source side will be transferred through the wall or floor where it is radiated as airborne sound on the other side. There is a loss in sound transmission as the frequency of the incident sound (sound waves produced from striking against a wall or floor for example) increases. This also varies with the direction of the sound waves, and is usually assumed to be the average for all possible angles of incidence.

5.0.7 Principles of impact sound transmission

Impact sound is sound that is spread from an impact or vibrational source in direct contact with a building element such as a floor. A structural vibration is transmitted from the point

of impact through the structure causing vibration leading to the radiation of sound into an adjacent room below. In a building this is commonly caused by an object hitting the floor, from where the vibration is transferred into the structure. Usually the vibration path will lead to the ceiling and perimeter walls below. The amount of impact sound heard below will depend upon many factors including the force of the impact, the vibration transmission characteristics of the floor construction and the floor covering.

5.0.8 Principles of flanking sound transmission

Flanking sound transmission occurs when there is an indirect path for sound to travel along elements adjacent to walls and floors. If the flanking construction and its connections with the separating structure are not correctly detailed, flanking transmission can equal, or even exceed, sound levels perceived as a result of direct transmission. Flanking transmission can occur, for instance, when a wall abuts the face of the inner leaf of an external cavity wall, and the walls are insufficiently tied or bonded together, thus allowing the noise to travel along the inner leaf.

5.0.9 Relevant legislation

Listed below are some pieces of legislation and guidance that may be relevant and/or helpful to those using the guidance in this particular section.

The Common Law of Nuisance recognises that an occupant has the right to the free and absolute use of the property, but only to the extent that such use does not discomfort or annoy a neighbour.

Part IV of the Civic Government (Scotland) Act 1982 sets out a range of public nuisance offences.

The Environmental Protection Act 1990 as it relates to noise, states that 'any premises in such a state as to be prejudicial to health or a nuisance ranks as a statutory nuisance'.

The Human Rights Act 1998 (as it relates to noise) Article 8 guarantees the right to respect for private and family life.

The Antisocial Behaviour etc. (Scotland) Act 2004 empowers the local authority to serve a warning notice in relation to noise which exceeds the permitted level.

The Planning Advice Note PAN 1/2011 'Planning and Noise', provides advice on the role of the planning system in helping to prevent and limit the adverse effects of noise.

5.0.10 Certification

Scottish Ministers can, under Section 7 of the Building (Scotland) Act 2003, approve schemes for the certification of design or construction for compliance with the mandatory functional standards. Such schemes are approved on the basis that the procedures adopted by the scheme will take account of the need to co-ordinate the work of various designers and specialist contractors. Individuals approved to provide certification services under the scheme are assessed to ensure that they have the qualifications, skills and experience required to certify compliance for the work covered by the scope of the scheme. Checking procedures adopted by Approved Certifiers will deliver design or installation reliability in accordance with legislation.

5.1 Noise separation

Mandatory Standard

Standard 5.1

Every building, which is divided into more than one area of different occupation, must be designed and constructed in such a way to limit the transmission of source noise from normal domestic type activities, between such areas, to a level that will not threaten the health of, or cause inconvenience to the building occupants.

Limitation:

This standard only applies to a building in different occupation incorporating:

- a. attached dwellings
- b. attached residential buildings, or
- c. a roof, walkway or access deck located directly above an area that is either a dwelling or a residential building.

5.1.0 Introduction

Noise nuisance outwith the control of dwelling occupants has increased substantially over the last decade. This is mainly as a result of people's changing lifestyles, greater numbers and use of sound-producing equipment and household appliances.

There has been a dramatic increase in the use of electrical goods, particularly sound producing equipment such as audio and TV. Music can be more bass orientated and played at higher volumes, whilst speakers mounted on walls may improve the quality to the listener, they can create a disturbance to others. The intention is not to prevent all sound from being heard, but to limit noise nuisance by achieving levels of sound insulation that will help to reduce the effects of sound on people in their home.

Complaints regarding noisy services do occur. Dealing with the varying levels of sound produced by service equipment, such as lifts, heat pumps or air conditioning units in buildings is a complex task. Guidance is given on the care that should be taken at the design stage in the choice of service equipment, installation and location within the building.

Designers should be aware that some Local Authorities may also set noise reduction targets. This is usually enforced through environmental health and planning legislation for noise emanating from commercial premises to dwellings, and more information on this is contained in PAN 1/2011.

Conversions - in the case of conversions as specified in regulation 4, the building as converted shall meet the requirement of this standard (regulation 12, schedule 6).

5.1.1 Scope of standard

Airborne sound insulation should be provided where any separating wall or separating floor is formed between areas in different occupation. For example:

- between dwellings
- between a dwelling and a non-domestic building
- between a dwelling and other parts of the same building, e.g. common stair or corridor, communal lounge, or car parking garage.

Airborne sound insulation need not be provided for:

- a. a separating wall dividing any 2 buildings, such as garages, conservatories or porches, or a combination of these, where each building is attached and ancillary to a dwelling
- b. an external wall such as a wall dividing a dwelling from an access deck, since it is not a separating wall
- c. a wall or floor between a dwelling and any accommodation that is ancillary to the same dwelling, such as a garage.

Impact sound insulation should be provided where any separating floor is formed between areas in different occupation. For example:

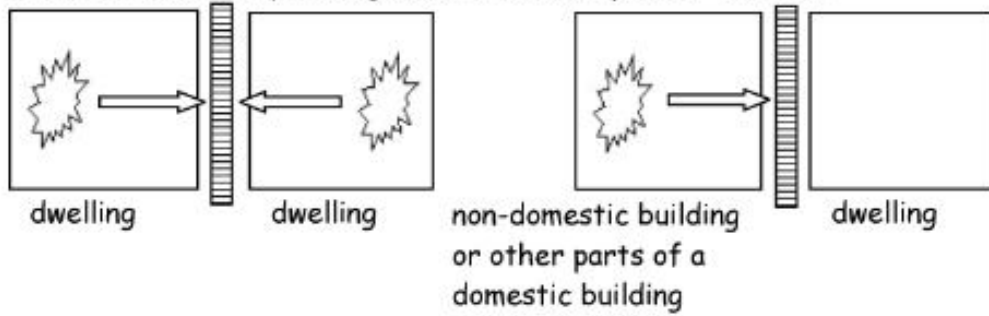
- between dwellings
- between a dwelling and a non-domestic building with rooms intended to be used for sleeping
- between a dwelling, and other parts of the same building directly above e.g. common stair or corridor, communal lounge, or car parking garage
- between a dwelling and a non-domestic building other than where it meets the conditions of (c) below
- a roof, walkway or access deck located directly above a dwelling and to which there is access, other than where it meets the conditions of (d) and (e) below.

Impact sound insulation need not be provided for:

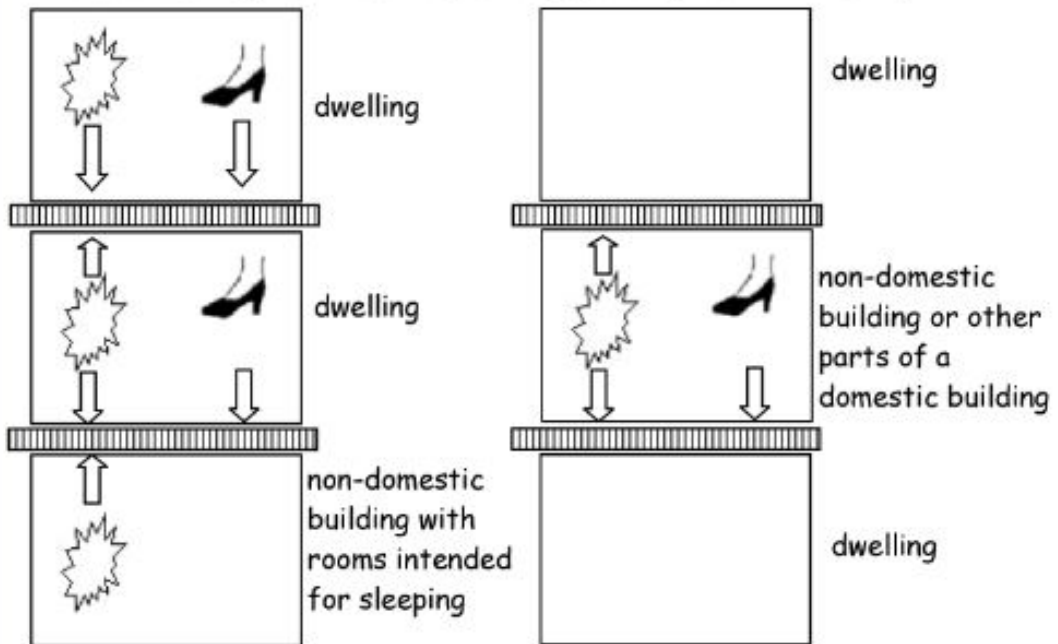
- a. a roof above a non-habitable space, such as a roof space
- b. a floor between a dwelling and any accommodation that is ancillary to the dwellings such as a garage
- c. a separating floor between a dwelling and a non-residential non-domestic building directly below
- d. a roof, walkway or access deck located directly above a dwelling and to which there is access for maintenance purposes only
- e. a roof, walkway or access deck located directly above a dwelling and to which there is access, where it is for the sole use of the residents of the dwelling.

The following diagrams show only direct transmission paths. Flanking transmission is also an important consideration. (see clause 5.0.8)

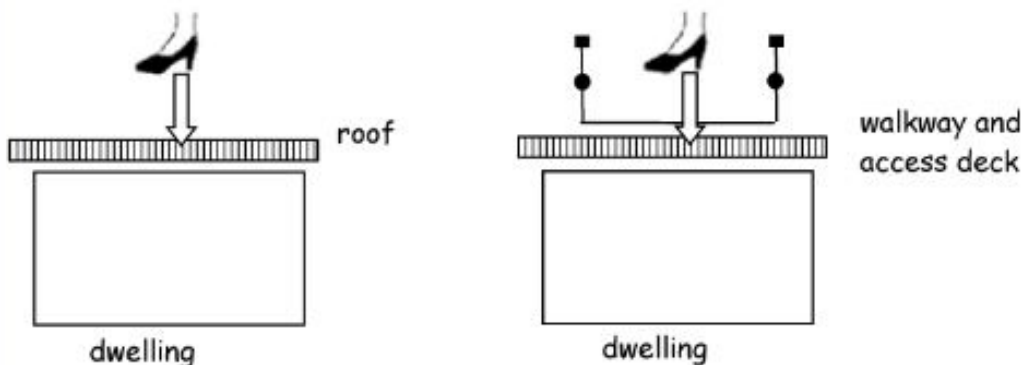
Airborne sound: separating walls (viewed in plan or section)



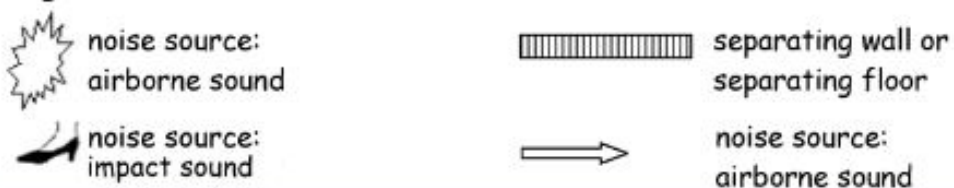
Airborne and impact sound: separating floors (viewed in section)



Impact sound: roofs, walkways and access decks (viewed in section)



Legend



5.1.2 Design performance levels

The following design performance levels are given for the control of sound through separating walls and separating floors. The levels have been developed from research covering sound and perceived sound in dwellings. They have been identified as levels, based on normal domestic activities that have been shown to produce few noise complaints.

However experience shows that the performance of a construction is dependent upon:

- achieving a high quality of workmanship on site
- supervision throughout the construction process
- the relationship between separating and adjoining elements (e.g. external walls, roofs and windows) to combat flanking transmission

and these factors should be carefully considered at the design stage.

All work should be designed to the levels in the following table:

Table 5.1 Design performance levels in dB [1]

Design performance	New build and conversions not including traditional buildings	Conversions of traditional buildings [2]
Minimum airborne sound insulation [3]	56 $D_{nT,w}$	53 $D_{nT,w}$
Maximum impact sound transmission [3]	56 $L'_{nT,w}$	58 $L'_{nT,w}$

Additional information:

1. For the definition of $D_{nT,w}$ and $L'_{nT,w}$ see clause 5.0.4.
2. Notice should be taken of the guidance on conversions in clause 5.1.5.
3. See clause 5.1.1 for application of these performance levels to separating walls and separating floors.

Two methods are provided on ways to achieve these levels which can lead to meeting the standard. They are by the use of:

- a. Example Constructions (see clause 5.1.3), or
- b. other constructions (see clause 5.1.4).

These methods are to be used in conjunction with the testing arrangements (see clause 5.1.8 to 5.1.10).

A further method of meeting Standard 5.1 rests outwith the Domestic Technical Handbook. This involves using 'Robust Details (Scotland)' - <http://www.labss.org/robust-details-limited>. If all the scheme rules are followed then post-completion testing (see clauses 5.1.9 and 5.1.10) is not necessary.

5.1.3 Example Constructions

Example Constructions have been developed that will repeatedly achieve the design performance levels in the table to clause 5.1.2. They have also been developed from

constructions that are in general use in the UK, and that are known to reduce the range of sound frequencies that can generate complaints.

The Example Constructions are available on the BSD website <http://www.scotland.gov.uk/topics/built-environment/building/building-standards>.

5.1.4 Other constructions

Clause 5.1.3 provides guidance on constructions that have been designed and tested to repeatedly achieve the performance levels in the table to clause 5.1.2. However it may be necessary, preferable or desirable, to include new or innovative constructions into a proposed design.

Where constructions that have not been tested previously are used, the services of an acoustic specialist may be obtained, who should be able to offer design guidance on constructions that are capable of achieving the performance levels in the table to clause 5.1.2.

5.1.5 Conversions

Achieving the design performance levels for conversions can present challenges to a designer. The presence of hidden voids within constructions, back to back fireplaces, cupboards and gaps between construction elements in walls and floors, mean that it may not be possible to use 'pattern book' type constructions to achieve the design performance levels. When conversions are undertaken, the adaption of the existing building should be considered at the design stage. Conversions and conversions of traditional buildings should achieve the performance levels in the table to clause 5.1.2.

With older buildings achieving the performance levels in clause 5.1.2 becomes more difficult, therefore the levels for traditional buildings are less demanding than for new build and conversions.

The design proposals for the conversion of a traditional building should be considered carefully so that any measures taken will improve the sound insulation. The performance levels in the table to clause 5.1.2 should be considered as a benchmark, but it may not be possible to achieve these levels in all circumstances. Consultation on such matters at an early stage with both the verifier and the planning officer of the relevant authority is advisable.

Historic and Listed buildings will, prior to conversion, display unique characteristics as far as sound insulation is concerned. The original building design and construction will influence the level of sound insulation achievable for the separating walls and separating floors. For this reason, specific prescriptive guidance on such buildings is not appropriate. The relevant authority may, at their discretion, agree measures that respect the character of the building.

Advice on the general principles of sound insulation in Historic and Listed buildings can be obtained from the Building Performance Centre, Napier University booklet 'Housing and Sound Insulation – Improving existing attached dwellings and designing for conversions' <http://www.scotland.gov.uk/topics/built-environment/building/building-standards>.

The conversion of a roof space into a habitable area, although very common, can present problems as it is unlikely that access to the roof space in the adjoining dwelling can be assured. Where an existing separating wall in a roof space is constructed of a single leaf of masonry only, it would be appropriate to provide one leaf of a free-standing framed construction next to the existing wall as each attic is developed. Example Constructions - detail 3: timber frame twin stud wall; gives a typical arrangement.

The building owner may wish to carry out a pre-conversion sound test prior to the start of any conversion, ideally during the building survey process. The acoustic performance of the existing construction can then be established and problems identified that will allow the design of a tailored acoustic solution to be determined at an early stage.

For larger or more complex work, advice on conversions may be sought from an acoustic specialist who should be able to offer appropriate design guidance.

5.1.6 Doors in a separating wall

A door in a separating wall dividing a dwelling from a common area of a building can create an acoustic weak point in the wall allowing unwelcome noise into the dwelling. As entrance doors to dwellings from common areas must comply with the relevant standards in Section 2: Fire, Section 4: Safety and Section 6: Energy the doorset will be relatively robust, and the weakest point for noise to enter the dwelling will be through the gap between the door frame and the door.

Entrance doors to flats and maisonettes located in a separating wall should be fitted with a perimeter seal, including the threshold, to minimise noise transmittance through the doorset.

A compressible type of seal may be used such as a rubber strip. Where the seal is of a type that combines a smoke and noise seal, the product literature should be consulted to confirm the seal will achieve the desired effect. The seal should not interfere with the closing mechanisms of a fire door and provide a positive seal between the door frame and the door.

5.1.7 Noise from services

Building service installations serving common areas in domestic buildings have the potential to cause noise nuisance. For example, common plant such as lifts, air conditioning units, ventilation systems, and drainage pipes running the height of a block of flats have all been known to be a source of complaint.

Therefore, it is important that the design of building services, their position in the building and the building structure should be considered at an early stage in the design process.

Services passing through separating walls or separating floors must comply with the relevant standards in Section 2: Fire.

Service pipes or ducts should not pass through a separating wall, unless they are of small diameter, such as lateral pipework from network risers such as gas, electricity, water and telecom. These pipes or ducts may pass through a separating wall from a common into a single dwelling only.

Custom-built or system chimneys should not be built into timber-framed separating walls. Only masonry chimneys (including precast concrete flue-blocks) may be included as an integral part of a separating wall. However, some thickening of the construction may be necessary to achieve the performance levels in clause 5.1.2.

Only service openings for ducts, service pipework or chimneys may be formed in separating floors. These services should be enclosed above and below the floor with a construction that will maintain the levels of noise reduction recommended for a separating floor in the table to clause 5.1.2.

Service equipment rooms should not be located next to quiet areas such as rooms intended for sleeping. Locating plant in a larger space can help dissipate sound. Also, plant machinery and equipment such as lift rails should be isolated from the walls and floor to

reduce vibrations and the resulting sound transmission to rooms intended for sleeping. Vibration from mechanical equipment can be reduced with the use of inertia blocks and resilient mounts.

Structure borne noise is the most common cause of complaints and the most effective approach is to structurally de-couple service installations and mechanical equipment from separating walls and separating floors. Lightweight structures need special consideration and it may be necessary to support noisy plant on a separate, rigid structure. The installation of an independent wall or ceiling lining may help achieve the performance levels in clause 5.1.2.

A report 'Limit noise transmission to dwellings from services' includes several useful design guide annexes. <http://www.scotland.gov.uk/topics/built-environment/building/building-standards>. Annex H of BS EN 12354-5: 2009 provides more detailed guidance on the reduction of service noise transmittance through separating walls and separating floors.

Design guides covering low carbon equipment, such as air source heat pumps, contain advice on sound reduction measures and are available at <http://www.scotland.gov.uk/topics/built-environment/building/building-standards>.

5.1.8 Post-completion performance test levels

The effectiveness of a construction to reduce sound transmission depends on several factors; the design, the buildings within which it is formed and the quality of the workmanship.

The use of the methods in clauses 5.1.3 or 5.1.4 alone will not guarantee that the performance levels will be achieved. Good workmanship is essential to their performance, and post-completion testing will confirm these levels have been achieved.

Table 5.2 Test levels for Example and other constructions in dB [1]

Design performance	New build and conversions not including traditional buildings	Conversions of traditional buildings [2]
Minimum airborne sound insulation [3]	56 $D_{nT,w}$	53 $D_{nT,w}$
Maximum impact sound transmission [3]	56 $L'_{nT,w}$	58 $L'_{nT,w}$

Additional information:

1. For the definition of $D_{nT,w}$ and $L'_{nT,w}$ see clause 5.0.4.
2. Notice should be taken of the guidance on conversions in clause 5.1.5.
3. See clause 5.1.1 for application of these performance levels to separating walls and separating floors.

5.1.9 Post-completion testing

On completion, new buildings and conversions should be tested in accordance with the tables in this clause. Note, such testing is not necessary should 'Robust Details (Scotland)' be used, fully adhering to the scheme rules, see clause 5.1.2. This is because 'Robust Details (Scotland)' are designed and constructed to be an average of 5dB better than the test levels in clause 5.1.8 above.

Table 5.3 Recommended minimum number of tests for new build [1, 2]

Construction Type	No. of attached dwellings	No. of tests for separating walls [houses]	No. of tests for separating walls [flats or maisonettes]	No. of tests for separating floors [flats or maisonettes]
New build using Example Constructions	2 - 20	2	2	2
	21 - 40	3	3	3
	Over 40	1 extra for every 20 houses, or part thereof	1 extra for every 20 flats or maisonettes, or part thereof	1 extra for every 20 flats or maisonettes, or part thereof
New build using other constructions	2 - 10	2	2	2
	11 - 20	3	3	3
	21 - 30	4	4	4
	Over 30	1 extra for every 10 houses, or part thereof	1 extra for every 10 flats or maisonettes, or part thereof	1 extra for every 10 flats or maisonettes, or part thereof

Table 5.4 Recommended minimum number of tests for conversions [1,2]

Construction Type	No. of attached dwellings formed by conversion	No. of tests for separating walls [houses]	No. of tests for separating walls [flats or maisonettes]	No. of tests for separating floors [flats or maisonettes]
Conversions	1 - 5	2	2	2
	6 - 10	3	3	3
	Over 10	1 extra for every 5 dwellings, or part thereof	1 extra for every 5 dwellings, or part thereof	1 extra for every 5 dwellings, or part thereof



Note

Additional information:

1. Where a separating wall forms a junction with a ground floor or roof a weak point in the construction is created affecting the sound performance. For this reason 1 test should be carried out on a separating wall at ground and first floor level for attached houses.
2. Each different construction in a development should be tested.

When a conversion of an attached building occurs, for example to a mid terrace dwelling, it may not be possible to gain access to the adjacent dwelling or part of the same building, to carry out tests to the separating wall. In this case, it may not be appropriate to request testing to be carried out. The conversion of a roof space into habitable space, although very common can also present problems. Since it is unlikely that access to the roof space in the adjoining dwelling can be assured it may not be appropriate to test

Sound tests should only be carried out on a building that is complete and when doors, access hatches and windows are fitted. Carpet, should not be used as bonded resilient floor covering or laid before an impact test for separating floors. Sound testing should be carried out in accordance with:

- a. BS EN ISO 140-4: 1998 and BS EN ISO 717-1: 1997, for airborne sound transmission, and
- b. BS EN ISO 140-7: 1998 and BS EN ISO 717-2: 1997, for impact sound transmission.

Airborne sound insulation testing - at least two different loudspeaker positions should be used for the source noise, in accordance with BS EN ISO 140-4: 1998.

Methods using a single source - for each source position, the average sound pressure level in the source and receiving rooms is measured in one-third-octave bands using either fixed microphone positions (and averaging these values on an energy basis), or using a moving microphone.

For the source room measurements, the difference between the average sound pressure levels in adjacent one-third-octave bands should be not more than 6dB. If this condition is not met, the source spectrum should be adjusted and the source room measurement repeated. If the condition is met, the average sound pressure level in the receiving room, and hence a level difference, should be determined.

It is essential that all measurements made in the source and receiving rooms to determine a level difference should be made without moving the sound source or changing the output level of the sound source, once its spectrum has been correctly adjusted (where necessary).

The sound source should now be moved to the next position in the source room and the above procedure repeated to determine another level difference. At least two positions should be used for the source. The level differences obtained from each source position should be arithmetically averaged, D as defined in BS EN ISO 140-4: 1998.

Airbourne and sound impact insulation testing - for both types of testing it is possible to use fixed microphone positions, rotating booms or manual moving microphones (mmm), in accordance with BS EN ISO 140-4: 1998 and BS EN ISO 140-7: 1998.

Doors - it is not normal practise to undertake sound insulation tests where there is a door in a separating wall, such as an entrance door to a flat from a common stair. Allowance should be made if a test is needed for such a separating wall as the door will not achieve the same 'design performance level' as a separating wall, as the door will allow sound transmission through the gaps and affect the sound test results.

Professional expertise - testing should be carried out by persons who can demonstrate relevant, recognised expertise in acoustics for sound insulation testing. This should include membership of a professional organisation which accredits its members as competent to both test and confirm the results.

5.1.10 Remedial action following a test failure

Noise transmission in buildings is a complex subject and it is difficult to provide definitive guidance on resolving specific problems that have occurred in individual buildings. It may be prudent to seek advice from a specialist who, through experience of sound testing, may be able to identify and resolve any problems.

If the failure is attributed to the construction of the separating and/or associated flanking elements, other rooms that have not been tested may also fail to meet the test performance levels. Additional tests may be needed, over and above the number recommended in clause 5.1.9 to check that the work achieves the test performance levels.

5.2 Noise reduction between rooms

Mandatory Standard

Standard 5.2

Every building, must be designed and constructed in such a way to limit the transmission of source noise from normal domestic type activities, through a wall or floor, between a room and internal space where noise is likely to occur, to a level that will not cause inconvenience to the building occupants.

Limitation:

This standard only applies to a wall or floor forming an apartment in a dwelling and a room in a residential building which is capable of being used for sleeping; other than:

- a. a wall between an en-suite bathroom and the apartment or room it serves
- b. a hospital
- c. a place of lawful detention.

5.2.0 Introduction

Changing lifestyles has altered the way rooms are used in dwellings. Bedrooms are more often used as areas where people spend time watching television, playing computer games and listening to music. Shouting from room to room, running up and down stairs, using noisy appliances and banging doors, can all be heard throughout a dwelling and can create unwanted noise. At night, any noise made when generally there is little background noise, is often perceived as excessive.

Although noise within a dwelling, can be more easily controlled than noise from outwith the dwelling itself, this can still be a nuisance. The increase in noise level from speech and music within dwellings may indirectly lead to anxiety and stress.

Conversions - in the case of conversions as specified in regulation 4, the building as converted shall meet the requirements of this standard (regulation 12, schedule 6).

5.2.1 Design performance level

Internal walls are normally built off the structural floor. A door located in such a wall provides a path for sound to bypass a wall under test. On-site sound testing of internal walls and intermediate floors cannot be relied upon due to excessive flanking sound transmission through doors. For this reason a laboratory test is used. A laboratory test result is termed dB R_w (see 5.0.4).

As disturbance to occupants can occur from other areas within the dwelling, the level of sound heard should be reduced in the rooms in which people may sleep. Therefore it is the internal walls between apartments, an apartment and an internal space where noise is likely to occur, that should achieve the sound performance level below. An internal wall between an en-suite bathroom and the apartment it serves need not have sound insulation.

The design performance levels for internal walls and intermediate floors covered by this standard should achieve minimum airborne sound insulation levels indicated in the following table:

Table 5.5 Table 5.5 Design performance levels

Design performance	Minimum airborne insulation level
Internal walls	40 dB R_w
Intermediate floors	43 dB R_w

5.2.2 Internal walls

The design performance levels in clause 5.2.1 can be achieved by using the Generic Internal Constructions available on the BSD website <http://www.scotland.gov.uk/topics/built-environment/building/building-standards>. Alternatively, product manufacturers may have solutions that will achieve the design performance level.

5.2.3 Intermediate floors

Improving the sound insulation over parts of an intermediate floor only above or below apartments is not reasonably practicable and could lead to expensive remedial measures if an area is missed or if future alteration work is carried out. It is therefore recommended that sound insulation should be provided across the entire area of each intermediate floor in a dwelling if there is an apartment located directly or below the floor.

The design performance levels in clause 5.2.1 can be achieved by using the Generic Internal Constructions available on the BSD website <http://www.scotland.gov.uk/topics/built-environment/building/building-standards>. Alternatively, product manufacturers may have solutions that will achieve the design performance level.

Although setting impact sound insulation design levels for intermediate floors is not reasonably practicable, insulation against impact noise can be improved by adding a soft covering such as a carpet or foam-backed vinyl. However a carpet or foam-backed vinyl is a floor covering and should not be included as part of the construction used to achieve the design levels in clause 5.2.1.

5.2.4 Conversions

Many of the existing wall and floor constructions within a traditional building, will be constructed from materials generally not still in use, for example lathe and plaster. In such cases the sound insulation level will not be known therefore, it is not reasonably practicable for the existing walls or floors to meet the performance levels in clause 5.2.1.

Energy

6.0 Introduction

6.0.1 Background

Within Scottish building regulations, improvements in energy standards have been made over many years including, in 2007, the move to a single carbon dioxide emissions based methodology for assessing carbon and energy performance in new buildings.

The Sullivan Report - in 2007, Scottish Ministers convened an expert panel to advise on the development of a low carbon building standards strategy to increase energy efficiency and reduce carbon emissions. This resulted in The Sullivan Report – ‘A Low Carbon Building Standards Strategy for Scotland’ [<http://www.scotland.gov.uk/sullivanreport>]. A key recommendation of this Report was staged improvements in energy standards in 2010 and 2013, with the aim of net zero carbon buildings (emissions for space heating, hot water, lighting and ventilation) in 2016/17, if practical.

In May 2013 Scottish Ministers reconvened the Sullivan panel with a view to revisiting some of their original recommendations, taking account of the impact of the economic downturn on the construction sector. Whilst maintaining the level of ambition, the 2013 Update report [<http://www.scotland.gov.uk/Publications/2013/11/8593/0>] recommended a more moderate pace of change and offered recommendations in three areas:

- eventual and staged standards – Percentage improvements recommended in 2007
- process – Extending carbon compliance beyond site - related measures, and
- costings – Recognising the value of new - build energy standards

The Climate Change (Scotland) Act 2009 http://www.legislation.gov.uk/asp/2009/12/pdfs/asp_20090012_en.pdf creates a statutory framework for delivery of greenhouse gas emissions reductions in Scotland. The Act sets an interim target of a 42% reduction in emissions (compared to 1990) by 2020, and an 80% reduction target for 2050, with annual targets set in secondary legislation. The high level measures required in each sector to meet Scotland’s statutory climate change targets, for 2022 and in the long term, were set out in the Scottish Government’s Climate Change Delivery Plan. This includes recommendations for the delivery of low carbon new buildings.

The construction sector has a major role to play in this respect. Emissions from the burning of fossil fuels are contributing to climate change, with energy use in buildings a significant source of such emissions. Increased energy efficiency and promotion of renewable energy are therefore an important element of Scotland’s strategy to tackle climate change.

To deliver buildings that are more energy efficient and have fewer carbon dioxide emissions, a greater emphasis is needed on the overall effect that design and specification choices, construction and commissioning of new work can have on building performance.

6.0.2 Aims

The intention of Section 6 is to ensure that effective measures for the conservation of fuel and power are incorporated dwellings and buildings consisting of dwellings. In addition to limiting energy demand, by addressing the performance of the building fabric and fixed building services, a carbon dioxide emissions standard obliges a designer of new dwellings to consider building design in a holistic way.

Improvements set out within this section will result in a greater need to consider the benefits which localised or building-integrated low carbon equipment (LCE) (e.g. photovoltaics, solar water heating, combined heat and power and heat pumps) can make towards meeting standards. Although the focus is primarily on lowering carbon dioxide emissions from dwellings in use, the measures within this section are intended to reduce energy demand and continue to ensure that, for new homes and new building work, use of energy and fuel costs arising from this are both minimised.

Guidance also recognises issues relevant to requirements within Articles 3, 4, 6-9 & 11 of EU Directive 2010/31/EU [<http://eur-lex.europa.eu/LexUriServ/LexUriServ.do?uri=OJ:L:2010:153:0013:0035:EN:PDF>] on the Energy Performance of Buildings (EPBD) and Article 13 of the EU Directive 2009/28/EC [http://europa.eu/legislation_summaries/energy/renewable_energy/en0009_en.htm] on the promotion of the use of energy from renewable sources.

The standards and guidance given in this section are intended to achieve an improvement, for new homes reducing emissions by approximately 21% compared to the previous 2010 standards (45% compared to the 2007 standards). However, nothing here prevents a domestic building from being designed and constructed to be even more energy efficient or make greater use of low carbon equipment (LCE).

6.0.3 General guidance

This section addresses the carbon dioxide emissions and energy performance of all domestic buildings (houses, flats and maisonettes) and ancillary buildings. In respect of dwellings, all parts of a building intended to form part of the dwelling should be within an insulation envelope.

This section should be read in conjunction with all the guidance to the Building (Scotland) Regulations 2004 but in particular Section 3: Environment has a close affiliation with energy efficiency, regarding:

- heating of dwellings
- ventilation of domestic buildings
- condensation
- natural lighting
- combustion air and cooling air for combustion appliances
- drying facilities, and
- storage of woody biomass.

Other than where qualified in the limitations to individual functional standards, the standards and guidance within this section apply, irrespective of the intended lifespan or the potential to relocate a building:

- to dwellings
- to ancillary and subsidiary accommodation to dwellings (some of which may be stand-alone buildings), that are to be heated (excepting heating rated at a maximum of 25W/m² floor area, installed solely for the purpose of frost protection)
- to stand-alone buildings that are heated (see paragraph below), and
- to work on existing buildings (see paragraph below).

Heated stand-alone buildings - in 2007, the EU Directive 2002/91/EC [http://europa.eu/legislation_summaries/energy/energy_efficiency/l27042_en.htm] on the energy performance of buildings led to the introduction of the category of 'stand-alone building', a definition of which is available in Appendix A of the Technical Handbooks. The Directive, now recast as Directive 2010/31/EU [<http://eur-lex.europa.eu/LexUriServ/LexUriServ.do?uri=OJ:L:2010:153:0013:0035:EN:PDF>], exempts such buildings where less than 50m² in floor area, from both the need to use a methodology to calculate energy performance (Standard 6.1) and also the production of an Energy Performance Certificate (Standard 6.9). The defined term includes not only detached buildings, but also thermally divided parts of a buildings with separate heating shut-down control.

Stand-alone building that are less than 50m² in floor area must still comply with Standards 6.2 to 6.8 (6.10 not being applicable to domestic buildings). The guidance to Standard 6.2 recommends that the insulation envelope of such a building should achieve the level of performance applicable to an extension.

Examples - common examples of stand-alone domestic buildings that could be less than 50m² include: a heated stair enclosure associated with a block of flats; a heated summerhouse ancillary to a dwelling; and a conservatory attached to a new or existing dwelling.

Work on existing buildings - as for other standards within Scottish building regulations, the energy standards apply to conversions and also work on existing buildings, such as extensions, conservatories, alterations and replacement work. However, in some situations, individual standards may not apply or guidance on compliance with the standards may differ for such work. The latter is usually to recognise constraints that arise when working with existing buildings.

It is advisable, in the first instance, to check the functional standard as sometimes a limitation removes certain classes of this type of work. Where not excepted by a limitation to a standard, the provisions of the standard will apply in full to the new work on the existing building, other than where proposed works are wholly categorised as a conversion, where the standard in question may be met as far as is reasonably practicable. This is identified in the introduction to the guidance supporting each standard.

6.0.4 U-values

Thermal transmittance (U-value) is a measure of how much heat will pass through one square metre of a structure when the temperature on either side differs by one degree Celsius. It is expressed in units of watts per square metre per degree of temperature difference (W/m²K).

Measurements of U-values should be made in accordance with BS EN ISO 8990:1996 - 'Thermal insulation. Determination of steady-state thermal transmission properties. Calibrated and guarded hot box'. In calculation, thermal bridging may be disregarded where the difference in thermal resistance between bridging and bridged material is less than 0.1m²K/W. For example, normal mortar joints need not be taken into account in calculations for brickwork, but should be taken into account for lightweight insulating blockwork.

Taking into account guidance from BRE publication BR 443:2006 'Conventions for U-value calculations', [http://www.bre.co.uk/filelibrary/pdf/rpts/br_443_\(2006_edition\).pdf](http://www.bre.co.uk/filelibrary/pdf/rpts/br_443_(2006_edition).pdf) individual U-values of building elements forming the insulation envelope can be established by a number of methods, including:

- a. by using insulation to a thickness derived from manufacturers' data relating to thermal conductivities (W/mK) and thermal transmittances (U-values: W/m²K) certified by a notified body

- b. by calculation, taking into account thermal bridging effects of, e.g. timber joists, structural and other framing and normal bedding mortar, by using the Combined Method set out in BS EN ISO 6946:2007 or CIBSE Guide Section A3, 2006 Edition
- c. for floors adjacent to the ground and basements, by using the method set out in BS EN ISO 13370: 2007 or CIBSE Guide Section A3, 2006 Edition, or
- d. for windows, doors and rooflights, by using BS EN ISO 10077-1: 2006 or BS EN ISO 10077-2: 2012 and, for rooflights, BS EN ISO 12567-2: 2005.

6.0.5 Thermal conductivity

The thermal conductivity (the λ -value) of a material is a measure of the rate at which that material will transmit heat and is expressed in units of watts per metre per degree of temperature difference (W/mK). Establishing the thermal conductivity of materials in a building element forming part of the insulation envelope will enable the thermal transmittance of the element to be calculated.

Measurements of thermal conductivity should be made in accordance with BS EN 12664: 2001, BS EN 12667: 2001 or BS EN 12939: 2001. There are a wide range of technical publications which give the thermal conductivity of common construction materials but, where available, preference should be given to values that are certified by a notified body. Additional guidance given in BRE publication BR 443: 2006 should also be followed.

6.0.6 Thermal transmittance through separating elements

Previously, thermal transmittance through separating walls or separating floors between 2 dwellings or between a dwelling and other heated parts of the same building (e.g. between a flat and a protected zone with space heating) was not assessed. Accommodation on both sides of the separating element was expected to be at a similar temperature when the dwellings or buildings are occupied.

This is no longer always the case. Whilst 'no loss' may still be assumed for solid walls, research has identified previously unanticipated heat losses from air movement in cavity separating walls. This 'thermal bypass' is now identified in the calculation methodology and guidance to Standard 6.1 and in guidance to Standard 6.2.

6.0.7 Buffering effects on the insulation envelope

If a dwelling or part of a building consisting of dwellings is separated from an unheated enclosed area, (for example solid waste storage accommodation, a porch, garage, protected zone or underground car park) the U-values of the walls/floors (including doors and translucent glazing) may be calculated by:

- a. disregarding the buffering effects and treating the element as if it is directly exposed to the outside
- b. using the relevant formulae within SAP 2012 [<http://www.bre.co.uk/sap2012>]
- c. following the procedure in BS EN ISO 6946: 2007, or
- d. following the procedure in BS EN ISO 13789: 2007.

6.0.8 Roofs that perform the function of a floor

A roof of a dwelling or building consisting of dwellings that also performs the function of a floor or similar loadbearing surface (e.g. an access deck, escape route, roof garden or car park), should be considered as a roof for the purpose of assessment within this section.

6.0.9 Conservatories and atria

A conservatory allows natural light and natural ventilation to be 'borrowed' through glazing and ventilators into adjacent rooms of a dwelling. In view of this, a large area of translucent material is required in the conservatory fabric to ensure that such rooms are not adversely affected. The definition of conservatory in Appendix A of the Technical Handbooks should be read in conjunction with the SAP 2012 [<http://www.bre.co.uk/sap2012>] document. Further guidance is given on how the standards apply to conservatories in clauses 6.1.7, 6.2.12 and 6.3.2.

In a dwelling with an atrium, it should be assumed that the atrium is to gain heat transfer from the surrounding building. The continuity of the insulation envelope occurs at the roof level (usually predominantly glazed with translucent material) and the atrium is considered to be a heated part of the dwelling.

6.0.10 Performance of fixed building services

Unless otherwise identified in text, guidance given in support of Standards 6.3 to 6.6 now refers directly to information contained within the Domestic Building Services Compliance Guide for Scotland <http://www.scotland.gov.uk/Topics/Built-Environment/Building/Building-standards/techbooks/techhandbooks/dbscgs>. The document replicates guidance published in support of building standards elsewhere in the UK and supports standardisation of the specification and expected performance of fixed building services throughout the UK. The Guide also provides helpful supplementary information that may assist designers in the installation and commissioning of services to delivering optimum operating efficiency.

Additional information on the use of a range of low carbon equipment (LCE), such as solar thermal systems, photovoltaic panels and heat pumps, and application within building regulations can be found within the Low Carbon Equipment Guides on the Technical Pages [<http://www.scotland.gov.uk/Topics/Built-Environment/Building/Building-standards/techbooks/techhandbooks>] of the Building Standards Division website.

6.0.11 Calculation of areas

When calculating areas for the purposes of this section and in addition to regulation 7, schedule 4, the following should be observed:

- a. all areas should be measured in square metres (m²), unless stated otherwise in this guidance
- b. the area of a floor, wall or roof is to be measured between finished internal faces of the insulation envelope, including any projecting bays and in the case of a roof, in the plane of the insulation
- c. floor areas are to include stairwells within the insulation envelope and also non-useable space (for example service ducts)
- d. the area of an opening (e.g. window or door) should be measured internally from in to in and from head to sill or threshold.

6.0.12 Latest changes

The 2015 edition of Section 6 incorporates a number of changes whilst retaining the existing methodology introduced in 2007. The majority of these changes relate to improvement in specified performance to deliver the intended 21% aggregate reduction

in carbon dioxide emissions on the 2010 standards (45% when compared to 2007 standards). A full summary of changes can be found on the Technical Handbooks [<http://www.scotland.gov.uk/Topics/Built-Environment/Building/Building-standards/publications/pubtech>] page of the Building Standards Division section of the Scottish Government website <http://www.scotland.gov.uk/Topics/Built-Environment/Building/Building-standards/publications/pubtech>.

The key changes that have been made to the standards and guidance since 1 October 2013 include:

- Standard 6.1 - SAP 2012 [<http://www.bre.co.uk/sap2012>] now used to calculate carbon dioxide emissions; both changes to methodology and revised carbon factors for fuels apply
- Clause 6.1.2 – comprehensive revisions of fuel package table and associated notes to deliver 21% aggregate improvement on 2010 CO₂ emissions
- Clause 6.2.1 - improved fabric backstops for new buildings
- Clause 6.2.3 – revisions to calculation of heat loss from linear thermal bridging
- Clause 6.2.9 - improved fabric backstops for extensions, option to consider improvements to existing dwelling when subject to 'column (a)' U-values; example provided in Annex 6B
- Standard 6.3 - standard now covers fixed secondary heating in domestic buildings
- Standards 6.3 to 6.6 - reference is now made to the Domestic Building Services Compliance Guide for Scotland for detailed guidance in support of each standard; any situations not addressed in this document are noted within the guidance to the relevant standard.
- Clause 6.8.2 – provision of 'quick start guide' now applies to all new dwellings.

6.0.13 Relevant legislation

EU Directive 2009/28/EC http://europa.eu/legislation_summaries/energy/renewable_energy/en0009_en.htm - promotes the use of energy from renewable sources, including promotion within national legislation. It establishes a common framework for the use of energy from renewable sources in order to limit greenhouse gas emissions, including establishment of national action plans and targets which set the share of energy from renewable sources for 2020.

6.0.14 Certification

Scottish Ministers can, under Section 7 of the Building (Scotland) Act 2003, approve schemes for the certification of design or construction for compliance with the mandatory functional standards. Such schemes are approved on the basis that the procedures adopted by the scheme will take account of the need to co-ordinate the work of various designers and specialist contractors. Individuals approved to provide certification services under the scheme are assessed to ensure that they have the qualifications, skills and experience required to certify compliance for the work covered by the scope of the scheme. Checking procedures adopted by Approved Certifiers will deliver design or installation reliability in accordance with legislation.

The Certification of Design (Section 6 – Energy) for Domestic Buildings scheme has been approved by Scottish Ministers to confirm compliance with Section 6. Details area

available on the certification pages of the Building Standards Division website <http://www.scotland.gov.uk/Topics/Built-Environment/Building/Building-standards/profinfo/cert>.

6.1 Carbon dioxide emissions

Mandatory Standard

Standard 6.1

Every building must be designed and constructed in such a way that:

- a. the energy performance is estimated in accordance with a methodology of calculation approved under regulation 7(a) of the Energy Performance of Buildings (Scotland) Regulations 2008, and**
- b. the energy performance of the building is capable of reducing carbon dioxide emissions.**

Limitation:

This standard does not apply to:

- a. alterations and extensions to buildings, other than:
 - i. alterations and extensions to stand-alone buildings having an area less than 50 square metres that would increase the area to 50 square metres or more
 - ii. extensions to non-domestic buildings where the extension will have an area which is both greater than 100 square metres and greater than 25% of the area of the existing building, and
 - iii. alterations to buildings involving the fit-out of the building shell which is the subject of a continuing requirement
- b. conversions of buildings:
- c. non-domestic buildings and buildings that are ancillary to a dwelling that are stand-alone having an area less than 50 square metres
- d. buildings, which will not be heated or cooled, other than by heating provided solely for the purpose of frost protection, or
- e. limited life buildings which have an intended life of less than 2 years.

6.1.0 Introduction

Standard 6.1 focuses on the reduction of carbon dioxide emissions arising from the use of heating, hot water, lighting, ventilation and cooling systems in a new dwelling. The guidance sets an overall level for maximum carbon dioxide emissions in buildings by use of a methodology which incorporates a range of parameters that influence energy use. This means that, for new dwellings, a designer is obliged to consider energy performance as a complete package rather than looking only at individual elements such as insulation or boiler efficiency - a 'whole dwelling approach' to energy, which offers a significant degree of design flexibility.

For the majority of new buildings, Standard 6.1 has the greatest influence on design for energy performance. Standards 6.2 to 6.6, in the main, recommend benchmark and backstop levels to be achieved for individual elements or systems. To achieve compliance with Standard 6.1, it will be necessary to improve upon some or all of these backstop levels or incorporate additional energy efficiency measures, such as low carbon equipment (LCE).

Renewable technologies - Directive 2009/28/EC http://europa.eu/legislation_summaries/energy/renewable_energy/en0009_en.htm promotes the use of energy from renewable sources. Where the dwelling design will include use of renewable energy for heating, Article 13 of the Directive recommends, amongst other measures, consideration of use of the following:

- for biomass equipment, conversion efficiencies of 85%
- for heat pumps, those that fulfil the minimum requirements of eco-labelling established in Commission Decision 2007/742/EC (amended in 2011 & 2013) establishing the ecological criteria for the award of the Community eco-label to electrically driven, gas driven or gas absorption heat pumps, and
- for solar thermal systems, those that are subject to EU standards, including eco-labels and other technical reference systems established by the European standardisation bodies.

High-efficiency alternative systems - Article 6 of Directive 2010/31/EU <http://eur-lex.europa.eu/LexUriServ/LexUriServ.do?uri=OJ:L:2010:153:0013:0035:EN:PDF> requires that, for all new buildings, the technical, environmental and economic feasibility of high-efficiency alternative systems (such as decentralised energy supply systems using renewable energy, co-generation, district or block heating/cooling and heat pumps) are considered and taken into account in developing proposals.

This should be documented and available for verification purposes and a statement should therefore accompany the building warrant application. Further information on this process is provided in Annex 6.C - 'Consideration of High-Efficiency Alternative Systems in New Buildings'.

Conversions - in the case of conversions as specified in regulation 4, this standard does not apply.

6.1.1 Dwellings

Objective - the calculated carbon dioxide emissions (measured in kilograms per square metre of floor area per annum) for the proposed dwelling, the dwelling emissions rate (DER), should be less than or equal to the target carbon dioxide emissions for a 'notional dwelling', the target emissions rate (TER).

Summary of procedure - in order to establish the target carbon dioxide emissions rate (TER) for the 'notional dwelling' (i.e. a dwelling of the same size, shape and 'living area fraction' as the proposed dwelling), the dimensions and 'living area fraction' of the proposed dwelling and a set of standard values are input into the methodology. To calculate the emissions for the proposed dwelling (DER) a second calculation is carried out where the proposed values are input into the methodology. An alternative way of meeting Standard 6.1 which avoids the use of the calculation methodology is to design to the set of values used for the 'notional dwelling'. This elemental approach is described in clause 6.1.6.

Standard Assessment Procedure (SAP) - The Government's Standard Assessment Procedure for Energy Rating of Dwellings (SAP 2012 [<http://www.bre.co.uk/sap2012/>]) is the calculation tool which forms part of the UK National Calculation Methodology which conforms with Article 3 of Directive 2010/31/EU [<http://eur-lex.europa.eu/LexUriServ/>]

LexUriServ.do?uri=OJ:L:2010:153:0013:0035:EN:PDF] on the Energy Performance of Buildings. It is approved to calculate the energy performance and the carbon dioxide emissions of an individual dwelling. At all stages, the conventions in the SAP document [<http://www.bre.co.uk/sap2012/>] should be read in conjunction with the specific guidance given in the clauses to this section. Designers should be familiar with the SAP methodology and their chosen software tool and be able to explain the input and calculation process in the context of the information submitted as part of the building warrant.

Non-domestic use within dwellings - some new dwellings may incorporate surgeries, consulting rooms, offices or other accommodation of a floor area not exceeding 50m² in aggregate, used by an occupant of the dwelling in a professional or business capacity. Where this occurs, the accommodation should be considered as a part of the dwelling.

6.1.2 Setting the target carbon dioxide emissions level

To set the target carbon dioxide emissions level, (i.e. the level that should not be exceeded, the TER), refer to the table to this clause. The package of measures for the fuel type for the main space heating of the proposed dwelling is selected. This package of measures is used in the methodology and no improvement factors are applied. In addition, this 'notional dwelling' is to have the same size, shape (including floor, roof, exposed wall areas and storey heights) and 'living area fraction' as the proposed dwelling. These terms are explained in SAP 2012.

Software vendors providing BRE approved SAP 2012 software [<http://www.bre.co.uk/>] will incorporate a function that, with 'Scotland' selected, automatically generates the target CO₂ emissions level once the fuel type is selected and the 'notional dwelling' dimensions and 'living area fraction' have been input into the programme.

Measures to calculate target carbon dioxide emissions for the 'notional dwelling'

- the measures identified in the tables below are set to deliver, on aggregate, 45% fewer carbon dioxide emissions than the 2007 standards. Whilst it is possible to construct a dwelling using one of the packages of measures (see clause 6.1.6), this table is provided solely for the purpose of setting the target emission rate (TER) for the 'notional' dwelling.

It is not necessary that values or elements present in these tables form part of the proposed dwelling. Designers are free to develop cost-effective and appropriate solutions which meet the TER, subject to meeting or improving upon the benchmark and backstop levels identified in guidance to Standards 6.2 to 6.6.

Table 6.1 Main space heating system fuel [1] [2] [3]

Element or system	Gas (Package 1)	LPG (Package 2)	Oil (Package 3)	Electricity (Package 4)	Biomass [4] (Package 5)
Walls	U = 0.17	U = 0.17	U = 0.17	U = 0.17	U = 0.17
Floors	U = 0.15	U = 0.15	U = 0.15	U = 0.15	U = 0.15
Roofs	U = 0.11	U = 0.11	U = 0.11	U = 0.11	U = 0.11
Openings [5]	U = 1.4	U = 1.4	U = 1.4	U = 1.4	U = 1.4
Allowance for thermal bridging [6]	0.08 x total exposed surface area	0.08 x total exposed surface area	0.08 x total exposed surface area	0.08 x total exposed surface area	0.08 x total exposed surface area
Open flues	None	One	One	None	One
Heating system,	Gas boiler room - sealed	LPG boiler room - sealed	Oil boiler room - sealed fan	Air to water heat pump	Wood pellet boiler 86%

Element or system	Gas (Package 1)	LPG (Package 2)	Oil (Package 3)	Electricity (Package 4)	Biomass [4] (Package 5)
pump in heated space [7]	fan flued 89% efficiency	fan flued 89% efficiency	flued 90% efficiency	175.1% efficiency [8]	efficiency, HETAS approved
Heating system controls	Time and temperature zone control +Boiler interlock +weather compensation +delayed start	Time and temperature zone control +Boiler interlock +weather compensation +delayed start	Time and temperature zone control +Boiler interlock +weather compensation +delayed start	Time and temperature zone control	Time and temperature zone control + delayed start
Hot water (HW) system	Stored HW (from boiler) separate time control for space and water heating	Stored HW (from boiler) separate time control for space and water heating	Stored HW (from boiler) separate time control for space and water heating	Stored HW (electric immersion) separate time control for space and water heating	Stored HW (from boiler) separate time control for space and water heating
Secondary space heating	none	10% closed wood log-burning room heater [9]	10% closed wood log-burning room heater [9]	10% electric	none
Heat recovery systems	Instantaneous waste water heat recovery system, 45% efficiency	Instantaneous waste water heat recovery system, 45% efficiency	Instantaneous waste water heat recovery system, 45% efficiency	Instantaneous waste water heat recovery system, 45% efficiency	Instantaneous waste water heat recovery system, 45% efficiency
Photo-voltaics	Yes [10]	Yes [10]	Yes [10]	No	No

Table 6.2 For the 'notional dwelling' in addition all of the following applies in every fuel type

Windows, doors and rooflights	area 25% of total floor area [11]
Orientation	all glazing orientated east/west
Shading (glazing)	average overshading
Number of sheltered sides	2
Chimneys	none
Ventilation system	natural ventilation with intermittent extract fans, 4 for dwellings with floor area more than 80m ² , 3 for smaller dwellings
Air infiltration (building fabric)	7m ³ /h.m ² at 50Pa
Hot water cylinder	150 litre cylinder insulated with standing heat loss of 1.89 kWh/day. Cylinder in heated space, cylinder temperature controlled by thermostat
Primary water heating losses (where applicable)	primary pipework fully insulated
Low energy light fittings	100% of fixed outlets

Thermal mass parameter	The value identified for the proposed building should be used
Party wall heat loss (applicable to cavity separating walls)	0.0 W/m ² K
Waste water heat recovery unit (WWHR)	Apply 2 units (shower) in dwellings with floor area more than 100m ² , but 1 unit (shower) for smaller dwellings

Notes:

1. Where a multi-fuel appliance is proposed, assessment of both TER and DER should be based upon the fuel option with the highest carbon factor (e.g. multi-fuel stove capable of burning coal or wood is assessed as solid mineral fuel).
2. Where heat is supplied to a dwelling from more than one source, through a generation mix (e.g. community heating using both oil and biomass where heat is provided from both sources simultaneously), the primary heating element within the TER should be calculated pro rata, on the basis of the identified fuel mix. The same mix should be used in calculation of the DER, including any pro rata contribution made by solutions such as CHP. This does not apply where heat demand can be provided solely from one of the identified generating sources, in which case other identified heat sources should be considered as back-up systems and excluded from assessment.
3. Where solid mineral fuel is proposed for the main space heating system, the TER should be calculated using the values identified for oil as a fuel (package 3). This will require improvements in performance within the DER specification for compliance.
4. The biomass column should be used not only where biomass fuel is to be used but also for biogas, liquid biofuels, large scale waste combustion from boilers and waste heat from power stations.
5. U is the average U-value of all openings (windows, doors, rooflights) based on one opaque door of area 1.85m² and U=1.4, any other doors fully glazed. For windows, doors, etc. a frame factor of 0.7, light transmittance of 0.80 and solar energy transmittance of 0.63 are assumed.
6. For the purposes of setting the TER, a y-value of 0.08 is identified. Note: for DER, this element of calculation must use H_{tb} calculated from length of junctions and individual psi values (see clause 6.2.3).
7. In the case of gas, LPG and oil, the specified efficiency values for the boiler in the notional dwelling are SEDBUK(2009); distribution temperature 55°C (e.g. radiators as emitters).
8. Seasonal Performance Factor (SPF) specified for the system includes application of a distribution temperature of 55°C (e.g. radiators as emitters).
9. The closed room heater included within the fuel package table should be capable of burning wood only, not multi-fuel.
- 10 For purpose of calculating the benefit of the PV element in the TER reduction, region is 'UK average', orientation 'SW', pitch '30°' and overshadowing 'no or little'. and kWp is the smaller of:
 - dwelling total floor area (in m²) x 0.01, and
 - roof area limit.

The roof area limit is to ensure that the PV area does not exceed 30% of the roof area (based on 30° roof pitch and 0.12kWp per m² PV area). In the case of a flat or maisonette the roof area limit is divided by the number of storeys in the block.

11 If total exposed facade area is less than 25% of the floor area, the area of windows, doors and roofs should be taken as the area of the total exposed facade area.

6.1.3 Calculating carbon dioxide emissions for the proposed dwelling (DER)

The second calculation involves establishing the carbon dioxide emissions for the proposed dwelling (DER). To do this the values proposed for the dwelling should be used in the methodology i.e. the U-values, air infiltration, heating system, etc.

The exceptions to entering the dwelling specific values are:

- a. it may be assumed that all glazing is orientated east/west
- b. average overshadowing for glazing may be assumed if not known. 'Very little' shading should not be entered
- c. 2 sheltered sides should be assumed if not known. More than 2 sheltered sides should not be entered
- d. where secondary heating is proposed, if a chimney or flue is present but no appliance installed, the worst case should be assumed i.e. a decorative fuel-effect gas appliance with 20% efficiency as secondary heating. If there is no gas point, an open fire with 37% efficiency should be assumed as secondary heating burning solid mineral fuel for dwellings outwith a smokeless zone and smokeless solid mineral fuel for those that are within such a zone.

All other values can be varied, but before entering values into the methodology, reference should be made to:

- the back-stop U-values identified in guidance to Standard 6.2, and
- guidance on systems and equipment referenced in guidance to Standards 6.3 to 6.6 and the Domestic Building Services Compliance Guide for Scotland <http://www.scotland.gov.uk/Topics/Built-Environment/Building/Building-standards/techbooks/techhandbooks/dbscgs> .

6.1.4 Buildings with multiple dwellings

Where a building contains more than one dwelling (such as a block of flats or terrace of houses) the average carbon dioxide emissions for the proposed block or terrace (DER) may be compared to the average target CO₂ emissions (TER) for the 'notional block or terrace'.

The average emissions for the block or terrace is the floor-area-weighted average for all the individual dwelling emissions, i.e.:

$$\frac{\{(emissions_1 \times floor\ area_1) + (emissions_2 \times floor\ area_2) + (emissions_3 \times floor\ area_3) + \dots\}}{\{(floor\ area_1 + floor\ area_2 + floor\ area_3) + \dots\}}$$

The degree of flexibility which is provided by averaging out building emissions should be used carefully. It is not intended that one or more dwellings are super-insulated (in a building consisting of dwellings) so that another may be constructed with a high percentage of glazing.

6.1.5 Common areas in buildings with multiple dwellings

Where subject to Standard 6.1, communal rooms or other areas in blocks of dwelling (which are exclusively associated with the dwellings) should be assessed either by:

- a. a SBEM calculation using the methodology and guidance to Standard 6.1 for non-domestic buildings, or
- b. ensuring that the glazing does not exceed 25% of the total communal floor area of the building; and the U-values, thermal bridging, air infiltration values equal or better than those given for the gas 'notional dwellings' (package 1 in the table to clause 6.1.2).

However where the common areas are less than 50m² in total these rooms or areas may be treated as a stand-alone building and are not therefore subject to Standard 6.1.

6.1.6 A simplified approach

Where a dwelling is designed to one of the packages of measures in the table to clause 6.1.2, it can be considered to reduce carbon dioxide emissions to the same level as by use of the methodology, calculating and comparing DER with TER.

In using a package of measures east/west orientation, average overshadowing for glazing and 2 sheltered sides may be assumed for the proposed dwelling.

The simplified approach may still be used where there are minor deviations in the values input that will clearly achieve the same or a better level of emissions. For example:

- a boiler with a higher SEDBUK efficiency
- a ground source heat pump instead of an air source heat pump
- where secondary heating forms part of the TER calculation, a secondary space heating system of equal or better performance (e.g. a closed, biomass-burning room heater)
- area of openings between 20% and 25% of total floor area (windows, doors, rooflights, and roof windows)
- a declared air infiltration of 7m³/h.m² @ 50 Pa or lower
- a hot water cylinder with a declared heat loss figure (BS 1566-1: 2002) not exceeding 1.89 kWh/day

This simplified approach should not be used where there is any deviation from values in the table which will result in higher CO₂ emissions. An example of this is where the proposed dwelling has more than 4 extract fans or windows of a poorer U-value. Likewise, if some elements offer poorer performance and others offer higher performance, the simplified approach should not be used.

This approach should also not be used where there is a likelihood of high internal temperature in hot weather or where air-conditioning is proposed. Reference should be made to the guidance to Standard 6.6.

Note that an Energy Performance Certificate (EPC) will still be required, on completion of the dwelling, to meet Standard 6.9.

6.1.7 Conservatories and stand-alone buildings

Conservatories of less than 50m² in area are stand-alone buildings, thermally separated from the dwelling. A dwelling to which one is attached should be assessed as if there was no conservatory proposed.

For conservatories and other ancillary stand-alone buildings of 50m² or more subject to Standard 6.1, a SBEM calculation using the methodology and guidance to Standard 6.1 for non-domestic buildings should be provided, applying the standards set for domestic buildings in all other respects.

6.2 Building insulation envelope

Mandatory Standard

Standard 6.2

Every building must be designed and constructed in such a way that an insulation envelope is provided which reduces heat loss.

Limitation:

This standard does not apply to:

- a. non-domestic buildings which will not be heated, other than heating provided solely for the purpose of frost protection
- b. communal parts of domestic buildings which will not be heated, other than heating provided solely for the purpose of frost protection, or
- c. buildings which are ancillary to dwellings, other than conservatories, which are either unheated or provided with heating which is solely for the purpose of frost protection.

6.2.0 Introduction

The levels set out in the guidance to this standard are robust back-stops and these are necessary for the following reasons:

- to help reduce energy demand, particularly in new dwellings, where use of low carbon equipment (LCE) may reduce carbon dioxide emissions but not energy consumption, and
- to ensure that a good level of fabric insulation is incorporated in building work, especially to construction elements that would be difficult or costly to upgrade in the future.

Non-repeating thermal bridging at the junctions of building elements and around openings in the building envelope form part of the calculation of energy performance in the Standard Assessment Procedure (SAP 2012 [<http://www.bre.co.uk/sap2012>], see clause 6.1.1). Heat loss through such junctions, if poorly designed and constructed can contribute significantly to the overall heat loss through the insulation envelope.

As fabric insulation levels improve, the rate at which heat is lost through air infiltration through the building envelope (air permeability) becomes proportionally greater. For example, in a typical 1960's house with poorly fitted windows 20% of the total heat could be lost through air infiltration. If the same building was upgraded to 2002 levels of fabric insulation but no attempt was made to improve the air permeability then the heat loss through infiltration could represent over 40% of total heat losses. When addressing infiltration, the provision of adequate, controllable ventilation is essential if both energy efficiency and good indoor air quality are to be achieved.

Conversions - in the case of conversions, as specified in regulation 4, the building as converted shall meet the requirements of this standard in so far as is reasonably practicable, and in no case be worse than before the conversion (regulation 12, schedule 6).

6.2.1 Maximum U-values for new buildings

Where a balanced and practical approach is taken to reducing energy demand in new dwellings, a consistent and good level of fabric insulation will limit heat loss through the building envelope. Column (a) of the table below sets out robust backstop measures. In most cases, meeting Standard 6.1 will result in even better levels of thermal insulation unless the design of a dwelling involves extensive use of building-integrated or localised low carbon equipment (LCE).

Localised areas of the same building element may be designed to give a poorer performance. These in turn will need to be compensated by the rest of the element being designed and built to a more demanding level. An example of this would be a meter box set into an external wall. These localised areas should have a U-value no worse than the figures given in column (b) of the table below. This is particularly important with regard to the control of condensation (see Section 3: Environment). Repeating thermal bridges (e.g. timber studs in a timber frame wall) should not be considered as an individual element in this respect, as these are already taken into account within a BS EN ISO 6946: 2007 U-value calculation.

For communal areas refer also to clause 6.2.13.

Table 6.3 Maximum U-values for building elements of the insulation envelope

Type of element	(a) Area-weighted average U-value (W/m^2K) for all elements of the same type	(b) Individual element U-value (W/m^2K)
Wall [1]	0.22	0.70
Floor [1]	0.18	0.70
Roof	0.15	0.35
Windows, doors and rooflights	1.6	3.3
Cavity separating wall	0.2	

Notes:

1. Excluding separating walls and separating floors between heated areas where thermal transmittance need not be assessed, beyond measures to limit heat loss arising from air movement within any cavity separating wall.

Cavity separating walls - unanticipated heat loss can arise via air movement, within a cavity separating wall, from heated areas to points outwith the insulation envelope. To limit heat loss, a separating wall cavity should have effective perimeter sealing around all exposed edges and in line with insulation layers in abutting elements which separate the dwelling from another building or from an unheated space. This allows a U-value of 0.2 to be assigned to such walls. Further reduction in heat loss can be achieved where the cavity separating wall is also fully filled with a material that limits air movement, allowing a U-value of 0.0 to be assigned.

In considering this issue, it is important that solutions also address the need to limit noise transmission (see Section 5: Noise).

6.2.2 Areas of windows, doors and rooflights

Due to the carbon emissions Standard 6.1, there is no need for guidance on minimum or maximum area for windows, doors and rooflights in new dwellings. The use of a

methodology for establishing compliance with Standard 6.1 provides an equitable approach to balancing the issues of heat loss versus solar gain and natural lighting versus artificial lighting.

In certain cases where there is a desire to have a large proportion of glass it may be difficult to demonstrate compliance with Standard 6.1. In such cases, innovative solutions will need to be considered. All relevant standards and guidance should be considered, including Standard 6.6, on avoiding high internal summer temperatures.

Guidance on alterations, extensions and conversions is provided in clauses 6.2.6 to 6.2.13.

Common areas - for communal areas refer to clause 6.2.13.

6.2.3 Limiting heat loss through thermal bridging

As insulation values of new buildings improve, the need to limit heat loss through thermal bridging becomes increasingly important. Incorrect detailing at design stage or poor construction work can have a significant adverse effect on building performance.

The insulation envelope of any heated building should be designed and constructed to limit heat loss through thermal bridging. The key areas of concern are:

- repeating thermal bridging within building elements, and
- non-repeating thermal bridging at the junction between building elements and at the edges of building elements where openings in the envelope are formed.

Whilst repeating thermal bridges are taken into account in the BS EN ISO 6946: 2007 U-value calculation, a separate assessment of non-repeating thermal bridging should be carried out for new buildings which are subject to Standard 6.1. Advice and further information on assessment of the effects of thermal bridging can be found in BRE Information paper IP 1/06 – 'Assessing the effects of thermal bridging at junctions and around openings' <http://www.brebookshop.com/>.

The SAP calculation tool referred to in the guidance to Standard 6.1 includes an assessment of heat loss arising from non-repeating thermal bridges in new dwellings. The overall heat loss is derived from numerical modelling of individual Ψ (psi) values calculated in accordance with BS EN ISO 10211: 2007 'Thermal bridges in building construction - heat flows and surface temperatures - detailed calculations' [<http://shop.bsigroup.com/>]. Guidance on this process is given in BR 497, 'Conventions For Calculating Linear Thermal Transmittance and Temperature Factors' [<http://www.brebookshop.com/>].

To determine the value for heat loss arising from non-repeating thermal bridging (transmission heat transfer coefficient or H_{tb}) for the proposed dwelling, designers should identify the presence of junctions listed in Appendix K of SAP 2012 [<http://www.bre.co.uk/sap2012>] and assign Ψ values to each junction, based upon the following options:

- a. input of default Ψ values for each junction listed within Appendix K of SAP 2012 [<http://www.bre.co.uk/sap2012/>]
- b. where construction of a junction follows the 'Accredited Construction Details (Scotland) 2015' <http://www.gov.scot/Topics/Built-Environment/Building/Building-standards/techbooks/techhandbooks> or other published and substantiated construction detail sets, input of Ψ values of the relevant junction(s) from that document
- c. input of Ψ values calculated by a person with suitable expertise and experience following the guidance set out in BR 497.

Note that a combination of Ψ values from these sources can be used to produce a calculated heat loss.

Further commentary on this process and use of other published documents providing sources of pre-calculated values can be found within 'Accredited Construction Details (Scotland) 2015' SAP 2012 [<http://www.gov.scot/Topics/Built-Environment/Building/Building-standards/techbooks/techhandbooks>].

6.2.4 Limiting uncontrolled air infiltration

Addressing infiltration in new dwellings can significantly reduce heat loss and result in lower carbon dioxide emissions. This can provide flexibility when applying the methodology used to meet the TER for carbon dioxide emissions (see Standard 6.1).

To limit heat loss, any heated building should be designed to limit air infiltration through the building fabric. This is done by providing a continuous barrier that resists air movement through the insulation envelope and limits external air paths into each of the following:

- the inside of the dwelling or building consisting of dwellings
- the 'warm' side of insulation layers
- spaces between the component parts of exposed building elements, where such parts contribute to the thermal performance of the element.

The infiltration rate used for the TER calculation is $7\text{m}^3/\text{h.m}^2 @ 50\text{ Pa}$ (see clause 6.1.2). Whilst no backstop value is set for uncontrolled infiltration, it is recommended that buildings are designed to achieve a value of $10\text{m}^3/\text{h.m}^2 @ 50\text{ Pa}$ or better to allow a balanced approach to managing building heat loss.

Where no infiltration rate is specified by the designer, a value of $15\text{m}^3/\text{h.m}^2 @ 50\text{ Pa}$ will be assigned to the proposed dwelling for the purpose of the DER.

Designing and constructing a building in accordance with the principles set out in BSD's document 'Accredited Construction Details (Scotland) 2015' <http://www.gov.scot/Topics/Built-Environment/Building/Building-standards/techbooks/techhandbooks> will assist in limiting air infiltration. Due to the contribution of both detailing and workmanship, it remains difficult to achieve a specified air infiltration rate with any degree of accuracy. To ensure the dwelling will deliver the intended thermal performance without adversely affecting air quality, air tightness testing should be undertaken to verify as-built air infiltration rates (see clause 6.2.5).

Limiting air infiltration to improve energy performance should not compromise ventilation required for:

- the health of the occupants of the building (Section 3)
- the removal of moisture from building fabric (Section 3)
- the safe operation of combustion appliances (Section 3), and
- any smoke control system (Section 2).

Lower air infiltration rates, of less than $5\text{m}^3/\text{h.m}^2 @ 50\text{ Pa}$, may give rise to problems with internal air quality and condensation unless this is addressed through planned ventilation. Accordingly, where design infiltration rates are proposed below this rate, reference should be made to additional measures needed to ensure air quality under Standard 3.14, on the provision of ventilation within dwellings.

Similarly, work to improve an existing dwelling which includes measures which reduce infiltration should also consider the impact of such work on condensation risk and moisture movement within affected construction elements (see clause 6.2.10).

Common areas - in building consisting of dwellings, common areas which need particular consideration to limit air infiltration include common stair entrances and shafts which extend through most of the floors (e.g. lift and common stair enclosures).

6.2.5 Air-tightness testing

Low air infiltration rates will contribute to energy performance but should not be so low as to adversely affect the health of occupants or the building fabric. There is, therefore, a need to establish dwelling performance by test to demonstrate compliance in both these respects.

Evidence from testing of dwellings, constructed to the 2007 and 2010 Accredited Construction Details (Scotland) and of similar constructions elsewhere in the UK, indicates that air-tightness levels of 5 to $7\text{m}^3/\text{h.m}^2$ @ 50 Pa or better are readily achievable and can be exceeded unintentionally. Air-tightness testing should be carried out on new dwellings to demonstrate that air infiltration rates deliver both the stated design level under this guidance and that the proposed ventilation strategy remains appropriate (see Section 3: Environment).

Frequency of testing dwellings - testing of completed dwellings should be carried out on at least 1 in 20 dwellings or part thereof. The verifier may request that the frequency of testing be varied as considered appropriate to 'reasonable inquiry' and in response to previous test results within a development.

In larger developments, it is advisable to test more than one example of the same dwelling type and form, completed at different stages in the overall development, to help establish consistency in quality of construction. In smaller developments, the proportion of dwellings tested may also need to increase, dependent on the range of type and form of dwellings present, to ensure a representative sample is taken.

Normally, for a development of one dwelling, an air-tightness test should be carried out as it will not be possible to obtain comparative data on the quality of construction from similar dwellings.

Alternatively, for any single dwelling or number of dwellings, where a default design value of $15\text{m}^3/\text{h.m}^2$ @ 50 Pa is stated in demonstrating compliance under Standard 6.1, testing need not be carried out.

Testing should be in accordance with BS EN 13829: 2001 – 'Thermal performance of buildings - determination of air permeability of buildings - fan pressurization method' [<http://shop.bsigroup.com/>]. Practical advice on procedure for pressure testing is given in the ATTMA publication 'Measuring Air Permeability of Building Envelopes' [<http://www.attma.org/>].

Testing should be carried out by persons who can demonstrate relevant, recognised expertise in measuring the air permeability of buildings. This should include membership of a professional organisation which accredits its members as competent to test and confirm the results of testing.

Further advice on these matters can be found in chapter 5 of the BSD publication 'Sound and Air-tightness Testing', 2015 Edition <http://www.gov.scot/Topics/Built-Environment/Building/Building-standards/techbooks/ast2015>.

6.2.6 Introducing heating to unheated buildings and conversion of unheated buildings

A building that was originally designed to be unheated has, in most instances, the greatest void to fill in terms of energy efficiency. The introduction of heating to such buildings will, if

not accompanied by fabric insulation, result in disproportionate heat loss and wasteful use of fuel and power.

Where conversion of an unheated building (e.g. a barn) or part of a dwelling is to be carried out, or heating is introduced to a building that was previously designed to be unheated, the building should work to achieve the same standards to those for an extension to the insulation envelope by following the guidance in clauses 6.2.9 and 6.2.10, meeting the U-values in column (b) of the table to clause 6.2.9.

In this context, existing buildings where heating is provided solely for the purpose of frost protection (rated at a maximum of 25W per m² of floor area) shall be treated as unheated buildings.

Conversion of part of a dwelling - examples of work which involve conversion of part of a dwelling are; changing a roof space, an unheated garage or a deep solum space into an apartment:

- in the case of a roof space, this will usually involve extending the insulation envelope to include, the gables, the collars, a part of the rafters and the oxters, as well as any new or existing dormer construction. The opportunity should be taken at this time to upgrade any remaining poorly performing parts of the roof which are immediately adjacent to the conversion, for example, insulation to parts of the ceiling ties at the eaves
- in the case of an unheated garage, this will usually involve extending the insulation envelope to include, the existing floor, perimeter walls and the roof/ceiling to the new habitable part, and
- in the case of a deep solum space, this will usually involve extending the insulation envelope to include, the solum/existing floor and perimeter walls to the new habitable part.

6.2.7 Conversion of heated buildings

In the case of a building that was previously designed to be heated, the impact on energy efficiency as a result of the conversion, may be detrimental but could be negligible, or in some circumstances even an improvement.

A less demanding approach than identified in clause 6.2.6 is recommended which at the same time still ensures that some overall improvements are being made to the existing building stock.

Where an extension or conservatory is formed and/or alterations are being made to the building fabric at the same time as the conversion, the guidance given in clauses 6.2.9 to 6.2.12 should also be followed.

Where conversion of a heated building is to be carried out, the existing insulation envelope should be examined and upgraded following the table below:

Table 6.4 Maximum U-values for building elements of the insulation envelope

Type of element	(a) Area-weighted average U-value (W/m ² K) for all elements of the same type	(b) Individual element U-value (W/m ² K)
Wall [1] [2]	0.30	0.70
Floor [1] [2]	0.25	0.70
Roof [1]	0.25	0.35

Type of element	(a) Area-weighted average U-value (W/m ² K) for all elements of the same type	(b) Individual element U-value (W/m ² K)
Where new and replacement windows, doors and rooflights are installed [3][4]	1.6	3.3

Additional information:

1. Where upgrading work is necessary to achieve the recommended U-values, reference should be made to 'Reconstruction of elements' in clause 6.2.11 and more demanding U-values achieved, where reasonably practicable.
2. Excluding separating walls and separating floors between heated areas where thermal transmittance need not be assessed, provided measures to limit heat loss arising from air movement within a cavity separating wall are made (see clause 6.2.1).
3. The total area of windows, doors and rooflights, should not exceed 25% of the floor area of the dwelling created by conversion. Alternatively, a compensatory approach should be taken.
4. Openings with a Window/Door Energy Rating of Band C or better may also be used <http://www.bfrc.org/>.

6.2.8 Conversion of historic, listed or traditional buildings

With historic, listed or traditional buildings, the energy efficiency improvement measures that should be invoked by conversion can be more complex.

Whilst achieving the U-values recommended in clause 6.2.6 and 6.2.7 should remain the aim, a flexible approach to improvement should be taken, based upon investigation of the traditional construction, form and character of the building in question and the applicability of improvement methods to that construction. Provisions under other legislation (e.g. planning consent for listed buildings or those within conservation areas, where there is a need to maintain character, form or features) are also relevant. The manner in which proposed improvements may affect moisture movement or the permeability of existing construction will also require assessment to address the risk of adverse consequences.

For all buildings, it would be advisable to consider the feasibility of upgrading fabric to at least the U-values given in column (c) in clause 6.2.9 (individual element U-values). In many cases, specialist advice will be helpful in making an assessment to ensure that, in improving energy efficiency, there is no other, adverse effect to the building fabric.

Accordingly, each building will have to be dealt with on its own merits. Improvements to the fabric insulation of the building will often depend on factors such as whether or not improvement work can be carried out in a non-disruptive manner without damaging existing fabric (for example, insulating the ceiling of an accessible roof space), or whether potential solutions are compatible with the existing construction.

In certain cases, buildings are given historic or listed status because of specific features present in certain parts of the building. In these circumstances, it may be possible to make greater improvements to other less sensitive areas.

In all cases the 'do nothing' approach should not be considered initially. Innovative but sympathetic and practical solutions to energy efficiency, which are beyond the scope of this guidance, can often result in an alternative package of measures being developed

for a building. For example, carbon dioxide emissions can be reduced without affecting building fabric through improvements to the heating system (refer to Standards 6.3 and 6.4), the lighting system (refer to Standard 6.5) or incorporation of low carbon equipment (such as a biomass boiler or heat pump). Consultation on such matters at an early stage with both the verifier and the planning officer of the relevant authority is advised.

Further guidance on issues that merit consideration and potential approaches to improvement can be found in the Historic Scotland Document 'Guide for Practitioners 6 - Conversion of Traditional Buildings' <http://www.scotland.gov.uk/Topics/Built-Environment/Building/Building-standards/techbooks/techhandbooks/hsg6ctb>.

6.2.9 Extensions to the insulation envelope

Extension of a domestic building is not subject to Standard 6.1. In view of this, measures to limit energy demand and carbon dioxide emissions rely primarily upon the performance of the new building fabric.

As the majority of construction work for an extension will be new, there will seldom be the need to consider construction to a lesser specification as is sometimes the case for conversions and alterations. The exception to this is at the junction between existing and new, for example the need for proprietary metal 'wall starter' ties where the existing brickwork stops and new cavity blockwork begins. However other building standards should still be met with regard to such transitional construction elements.

Unlike a new building, an extension to an existing building will not commonly benefit from the provision of an efficient heating system or low carbon equipment (LCE). Therefore, fabric U-values should improve on the new build backstops identified in clause 6.2.1 to limit CO₂ emissions and energy demand to an equivalent level.

Accordingly, where the insulation envelope of a dwelling or a building consisting of dwellings is extended, the new building fabric should be designed in accordance with one of two levels of elemental U-values for walls, floors, roof, windows, doors and rooflights. The maximum area weighted U-values applicable for new works to an extension is determined by the energy performance of the existing building, assessing both external wall and roof elements:

- Where both external wall and roof elements already meet or, as part of the works, will be upgraded to meet or improve upon U-values of 0.7 or 0.25 respectively, the U-Values in column (b) can be applied to the extension.
- Where a building has external wall or roof element with a U-value poorer than 0.7 or 0.25 respectively, then the more demanding U-values in column (a) apply to the extension. Alternatively, column (b) U-values may be applied where improvements to the existing building are shown to deliver a reduction in heat loss greater than or equal to the difference between the calculated overall heat performance of a notional extension built to column (a) U-values and one built to column (b) U-values (see compensatory approach below).

To limit heat loss through openings, the area of windows, doors, and roof lights within an extension should be limited to 25% of the floor area of the extension plus the area of any existing openings built over within the extensions. This may be exceeded where the compensatory approach (described below) is used to demonstrate that this results in no additional heat loss.

Areas of the same building element may have a poorer than average performance provided the area-weighted average U-value for all elements of the same type is maintained (e.g. by some elements having correspondingly better performance). To reduce the risk of condensation, the maximum individual element U-values should be no worse than the figures given in column (c) of the table below:

Table 6.5 Maximum U-values for building elements of the insulation envelope

Type of element	Area-weighted average U-Value (W/m^2K) for all elements of the same type		(c) Individual element U-Value (W/m^2K)
	(a) Where U-Values for wall and roof of the existing dwelling are poorer than 0.7 [1] and 0.25 respectively	(b) where parameters for column (a) do not apply	
Wall [2]	0.17	0.22	0.70
Floor [2]	0.15	0.18	0.70
Pitched roof (insulation between ceiling ties or collars)	0.11	0.15	0.35
Flat or pitched roof (insulation between rafters or roof with integral insulation)	0.13	0.18	0.35
Windows, doors, rooflights	1.4 [3]	1.6 [4]	3.3

Notes:

1. The Building Standards (Scotland) Amendment Regulations 1982, came into force on 28 March 1983, introduced thermal insulation for an exposed wall broadly equivalent to $0.7W/m^2K$.
2. Excluding separating walls and separating floors between heated areas where thermal transmittance need not be assessed, provided measures to limit heat loss arising from air movement within a cavity separating wall are made (see clause 6.2.1).
3. Openings with a Window/Door Energy Rating of Band A may also be used <http://www.bfrc.org/>.
4. Openings with a Window/Door Energy Rating of Band C or better may also be used.

'Compensatory approach' using a notional extension - a compensatory approach allows U-values for the elements involved in the work to be varied provided that the resulting overall heat loss for an extension is not greater than that of a 'notional' extension. The 'notional' extension should be the same size and shape as the proposed extension, and have the area weighted average U-values from the relevant column in the table above and have an area of windows, doors and rooflights equal to 25% of the total extension floor area plus the area of built over openings.

In situations where the U-values of the existing dwelling means the extension is to be built to column (a) U-values, the compensatory approach can be extended to give applicants greater flexibility, by allowing the extension to be built to column (b) U-values providing that the further reduction in heat loss is achieved through fabric improvements to the existing dwelling.

Examples of this approach are given in annex 6B.

Whole dwelling approach - where SAP data is available for the existing dwelling, it may be practical to provide a revised SAP calculation to demonstrate compliance of a dwelling, as proposed, including extension, using the target-based methodology (DER not more

than TER) set out in guidance to Standard 6.1 (carbon dioxide emissions). This option will generally only be viable where both extension and dwelling are built to the same, current edition of the standards.

6.2.10 Thermal bridging and air infiltration for existing buildings

Where works to alter, extend or convert a building, the elements involved in the building work should follow the guidance in clauses 6.2.3 and 6.2.4 on limiting heat loss from thermal bridging and air infiltration and reference should be made to the principles set out in the BSD document 'Accredited Construction Details (Scotland) 2015' <http://www.gov.scot/Topics/Built-Environment/Building/Building-standards/techbooks/techhandbooks>. Calculation of heat loss from linear thermal bridging is not necessary unless the SAP methodology is being used to demonstrate compliance.

In addition, the recommendations within Building Research Establishment (BRE) Report 262 'Thermal insulation: avoiding risks (2002 edition)' [<http://www.brebookshop.com/>] can be followed.

It should be noted that, unless the SAP methodology is being used to demonstrate compliance, air-tightness testing is not necessary for work to existing buildings. In such cases, a default value of $10\text{m}^3/\text{h}\cdot\text{m}^2$ @ 50 Pa can be assumed or testing of the extension carried out as identified in clause 6.2.5.

6.2.11 Alterations to the insulation envelope

For alterations it is more than likely that the existing construction will be from a different era, in building regulation terms. In many instances each building will need to be considered on its own merits. Some of the guidance given in this clause is written in specific terms, but in certain cases (e.g. historic, listed or traditional buildings), it may be necessary to adopt alternative energy efficiency measures which relate to the amount of alteration work being undertaken.

Alterations that involve increasing the floor area and/or bringing parts of the existing building that were previously outwith the insulation envelope into the heated part of the dwelling are considered as extensions and/or conversions (regulation 4, schedule 2) and reference should be made to the relevant guidance clause for such work.

The extent to which improvement can be delivered will be affected by a range of issues, such as:

- the form and construction of the existing envelope and the scope of works
- the extent to which improvement is technically feasible without the risk of adverse consequences, and
- the impact of any other statutory requirements to which the building is subject (e.g. listing, conservation area).

Alterations to the insulation envelope of a building should be considered using the guidance in the following paragraphs.

Infill of small openings - the infill of an existing opening of approximately 4m^2 or less in the building fabric should have a U-value which matches at least that of the remainder of the surrounding element. In the case of a wall or floor however it should not be worse than $0.70\text{W}/\text{m}^2\text{K}$, and for a roof, not worse than $0.35\text{W}/\text{m}^2\text{K}$.

Infill of large openings - the infill of an existing opening of greater area (than approximately 4m^2) in the building fabric should have a U-value which achieves those in

column (b) of the table to clause 6.2.9. Another way would be to follow the guidance in the paragraph above, but compensate for the energy efficiency deficit by improving the overall U-value of other parts of the insulation envelope.

Internal elements which become part of the insulation envelope - alteration can cause an existing internal element of a building to become part of the insulation envelope. This will most likely occur where a part of a building is permanently removed as a phase of the alteration work. Where this occurs, that part of the building (including any infill construction) should have U-values which achieve those in column (b) of the table to clause 6.2.9. Another approach would be to follow the guidance given in the previous paragraph, but compensate for the energy efficiency deficit by improving the overall U-value of other parts of the insulation envelope.

However, where this occurs at a boundary, no upgrading need be carried out if the element is a wall that is exclusively the property of the adjoining building.

Windows, doors and rooflights - where windows, doors and rooflights are being created or replaced, they should achieve the U-value recommended in column (b) of the table to clause 6.2.9. A compensating approach may be used and an example of this is given in annex 6A.

Where the work relates only to 1 or 2 replacement windows or doors, to allow matching windows or doors be installed, the frame may be disregarded for assessment purposes, provided that the centre pane U-value for each glazed unit is $1.2\text{W/m}^2\text{K}$ or less. For secondary glazing, an existing window, after alteration should achieve a U-value of about $3.5\text{W/m}^2\text{K}$.

Areas of windows, doors and rooflights - where additional windows, doors and rooflights are being created, the total area (including existing) of these elements should not exceed 25% of the total dwelling floor area. In the case of a heated communal room or other area (exclusively associated with the dwellings), it should not exceed 25% of the total floor area of these rooms/areas.

Reconstruction of elements - where the build-up of an element forming part of the insulation envelope is to be altered or dismantled and rebuilt, the opportunity should be taken to improve the level of thermal insulation.

Column (b) of the table to clause 6.2.9 gives benchmark U-values and in many cases these can be achieved without technical risk. within the constraints of the existing construction. It is recognised however certain constructions are easier to upgrade than others and these values should be met as far as is reasonably practicable.

A building that was in a ruinous state should, after renovation, be able to achieve almost the level expected of new construction. It may not however be reasonably practicable for a dwelling, which is in a habitable condition, to have its internal space significantly reduced in area or height in order to accommodate insulation; or for excessive enabling alterations to be caused by the fitting of external thermal insulation, unless the owner/occupier of the dwelling intends that these changes are to be made. Other building standards and the impact that they will have when upgrading thermal insulation should be taken into account.

In the majority of cases however, after an alteration of this nature to the insulation envelope, a roof should be able to achieve at least an average U-value of 0.35 and in the case of a wall or floor, $0.70\text{W/m}^2\text{K}$.

For older buildings of traditional construction, further guidance to assist in this assessment can be found in the Historic Scotland Document 'Guide for Practitioners 6 - Conversion of Traditional Buildings' <http://www.scotland.gov.uk/Topics/Built-Environment/Building/Building-standards/techbooks/techhandbooks/hsg6ctb>.

Thermal bridging and air infiltration - when alterations are carried out, attention should still be paid to limiting thermal bridging at junctions and around windows, doors and

rooflights and limiting air infiltration (clause 6.2.10). However, only the work that forms the alteration and the impact of that work on the existing building need be considered.

6.2.12 Conservatories

Conservatories are a common addition to many dwellings. Traditionally used as an ancillary space, occupied for part of the year, conservatories are now often used year-round leading to an increased heating demand. Accordingly, such buildings should, like other heated stand-alone buildings, be constructed to limit energy demand and reduce CO₂ emissions.

Some smaller conservatories can be exempt from both building warrant and building standards (see Section 0). Conservatories of 50m² or more are subject to Standard 6.1 of the non-domestic guidance.

Thermal division - a conservatory should be thermally divided from a dwelling, being outwith the insulation envelope of the dwelling. The dividing elements (e.g. wall, door, window) should have U-values equal or better than the corresponding exposed elements in the rest of the dwelling.

U-values - although conservatories are attached to dwellings, they are stand-alone buildings. Where not exempt, a conservatory (heated or unheated) should be built to the same maximum U-values as any other new work, as listed in columns (b) and (c) of the table in clause 6.2.9. The exception is that glazing and framing elements forming the walls or roof of a conservatory are unlimited in area and should have a maximum area-weighted average U-value of 1.8W/m²K and a maximum individual element U-value of 3.3W/m²K.

U-values of glazing elements forming the roof are usually quoted in the vertical plane and should therefore be adjusted allowing for the angle of the roof. Further guidance and U-value adjustments can be found in BR 443: 2006 'Conventions for U-value calculations' [[http://www.bre.co.uk/filelibrary/pdf/rpts/br_443_\(2006_edition\).pdf](http://www.bre.co.uk/filelibrary/pdf/rpts/br_443_(2006_edition).pdf)].

Varying U-values - 'Compensating U-values for windows, doors and rooflights' - individual U-values for the glazed and framing elements may exceed 1.8W/m²K provided that the average U-value for all the glazed and framing elements is no greater than 1.8W/m²K. An example of this approach is given in annex 6A.

Thermal bridging and air infiltration - in order to limit air infiltration and thermal bridging at junctions and around windows, doors and rooflights, guidance in clause 6.2.10 should be followed.

If using the Building Standards Division document: 'Conservatories' <http://www.scotland.gov.uk/Topics/Built-Environment/Building/Building-standards/techbooks/techhandbooks/techconserv2nd>, these issues will be considered to have been taken into account. Draught stripping for existing windows and doors which are part of the thermal division between the conservatory and the dwelling should be of a similar standard as the exposed windows and doors elsewhere in the dwelling.

6.2.13 Stand-alone buildings

Thermal division of a stand-alone building from the remainder of a dwelling or domestic building is explained in clause 6.2.12.

For heated stand-alone buildings of less than 50m², the fabric values identified in columns (b) and (c) of the table to clause 6.2.9 and clause 6.2.10 should be followed. U-value recommendations should be met, though it should be noted that the area of glazing is not limited. This allows, for example, a dwelling to be extended to create a highly-glazed stand-alone building such as a sunroom, with glazing in excess of the limits identified in clause 6.2.9.

Stand-alone buildings of 50m² or more are subject to Standard 6.1. Reference should be made to clause 6.1.7 and use of the non-domestic calculation methodology to assess carbon dioxide emissions.

Common areas - where the total area of a communal room or other heated accommodation associated with a block of dwellings is less than 50m², these rooms or accommodation should also be treated as a stand-alone building. Elements (including dividing elements) should have U-values equal to or better than those chosen for the rest of the building, as determined in conjunction with the methodology in Standard 6.1. As part of a new building, the area of windows, doors, rooflights and roof windows in these rooms or accommodation should be limited to 25% of the total floor area of these common areas.

6.3 Heating system

Mandatory Standard

Standard 6.3

Every building must be designed and constructed in such a way that the heating and hot water service systems installed are energy efficient and are capable of being controlled to achieve optimum energy efficiency.

Limitation:

This standard does not apply to:

- a. buildings which do not use fuel or power for controlling the temperature of the internal environment, or
- b. heating provided solely for the purpose of frost protection.

6.3.0 Introduction

In the design of domestic buildings, the energy efficiency of the heating plant is an important part of the package of measures which contributes to the overall dwelling carbon dioxide emissions. In practice the backstop levels given in this guidance for appliance efficiencies and controls will normally be exceeded to achieve compliance with Standard 6.1 for new buildings. The notional dwelling standard specifications already indicate this (refer to clause 6.1.4).

This guidance refers to main heating systems for dwellings. Both the primary heating and secondary heating systems are taken account of in SAP 2012 [<http://www.bre.co.uk/sap2012>].

When the guidance in Section 3 on heating requirements for dwellings is considered along with Standard 6.1, central heating (rather than using several individual appliances as primary heating) will usually be the most practical way to satisfy the standards.

Renewable technologies - Directive 2009/28/EC promotes the use of energy from renewable sources. Where the dwelling design will include use of renewable energy for heating, Article 13 of the Directive recommends, amongst other measures, consideration of use of the following:

- for biomass equipment, conversion efficiencies of 85%

- for heat pumps, those that fulfil the minimum requirements of eco-labelling established in Commission Decision 2007/742/EC (amended in 2011 & 2013) establishing the ecological criteria for the award of the Community eco-label to electrically driven, gas driven or gas absorption heat pumps, and
- for solar thermal systems, those that are subject to EU standards, including eco-labels and other technical reference systems established by the European standardisation bodies.

Conversions - in the case of conversions, as specified in regulation 4, the building as converted shall meet the requirements of this standard in so far as is reasonably practicable, and in no case be worse than before the conversion (regulation 12, schedule 6).

6.3.1 Performance of fixed heating systems in new and existing buildings

The minimum performance of, space heating and hot water systems, heating appliances and controls is set out in the Domestic Building Services Compliance Guide for Scotland <http://www.scotland.gov.uk/Topics/Built-Environment/Building/Building-standards/techbooks/techhandbooks/dbscgs>.

The document replicates guidance published in support of building standards elsewhere in the UK and supports standardisation of the specification and expected performance of fixed building services throughout the UK. The guidance applies to new systems and replacement, in whole or in part, of existing systems. It also addresses improvement work to existing systems as a consequence of replacing components.

Clause 6.3.2 provides information on situations not addressed in that document.

Historic, listed or traditional buildings - in many cases heating system improvements to historic, listed or traditional buildings will be more feasible than other energy efficiency measures such as improving wall insulation. Where this is the case, systems which go beyond these minimum backstop levels may help offset the deficiency in other areas of energy efficiency and carbon dioxide emissions.

6.3.2 Conservatories

As a conservatory which is heated will be inefficient in energy terms, the general guidance to occupiers is that they should be heated as little as possible. In view of the fact that heating is often desired particularly at the start and end of the heating season, any conservatory with heating installed should have controls that regulate it from the rest of the dwelling e.g. a thermostatic radiator valve (TRV) to each radiator.

6.4 Insulation of pipes, ducts and vessels

Mandatory Standard

Standard 6.4

Every building must be designed and constructed in such a way that temperature loss from heated pipes, ducts and vessels, and temperature gain to cooled pipes and ducts, is resisted.

Limitation:

This standard does not apply to:

- a. buildings which do not use fuel or power for heating or cooling either the internal environment or water services
- b. buildings, or parts of a building, which will not be heated, other than heating provided solely for the purpose of frost protection, or
- c. pipes, ducts or vessels that form part of an isolated industrial or commercial process.

6.4.0 Introduction

Thermal insulation to heating pipes and ducts and hot water storage vessels will improve energy efficiency by preventing:

- uncontrolled heat loss or heat gains from such equipment, and
- an uncontrolled rise in the temperature of the parts of the building where such equipment is situated.

Conversions - in the case of conversions, as specified in regulation 4, the building as converted shall meet the requirements of this standard as is reasonably practicable, and in no case be worse than before the conversion (regulation 12, schedule 6).

6.4.1 Insulation of pipes, ducts and vessels in new and existing buildings

Guidance on the insulation of pipes, ducts and vessels is set out, in the context of the systems of which they form a part, in the Domestic Building Services Compliance Guide for Scotland <http://www.scotland.gov.uk/Topics/Built-Environment/Building/Building-standards/techbooks/techhandbooks/dbscgs>.

The document replicates guidance published in support of building standards elsewhere in the UK and supports standardisation of the specification and expected performance of fixed building services throughout the UK. The guidance applies to new systems and replacement, in whole or in part, of existing systems. It also addresses improvement work to existing systems as a consequence of replacing components.

Clause 6.4.2 provides information on situations not addressed in that document.

6.4.2 Work on existing buildings

Where a new boiler or hot water storage vessel is installed, or where existing systems are extended, new or existing pipes, ducts and vessels that are accessible or exposed as part of the work should be insulated as for new systems. Replacement hot water storage vessels should be insulated as for new systems.

It is recognised that complete insulation will sometimes not be possible, where such services pass through or around structural building components, floor joists, for example, or where existing systems are wholly or partially retained as part of conversion works. In such cases, insulation should be fitted as for new systems as far as is reasonably practicable.

6.5 Artificial and display lighting

Mandatory Standard

Standard 6.5

Every building must be designed and constructed in such a way that the artificial or display lighting installed is energy efficient and is capable of being controlled to achieve optimum energy efficiency.

Limitation:

This standard does not apply to:

- a. process and emergency lighting components in a building, or
- b. alterations in dwellings or a building ancillary to a dwelling.

6.5.0 Introduction

Artificial lighting can account for a substantial proportion of the electricity used within a building. Appropriate lighting design (including use of natural daylight) can reduce carbon dioxide emissions and running costs, and can also reduce internal heat gains.

Conversions - in the case of conversions, as specified in regulation 4, the building as converted shall meet the requirements of this standard in so far as is reasonably practicable, and in no case be worse than before the conversion (regulation 12, schedule 6).

6.5.1 Fixed lighting

Guidance on the efficiency of fixed internal and external lighting is given in the Domestic Building Services Compliance Guide for Scotland [<http://www.scotland.gov.uk/Topics/Built-Environment/Building/Building-standards/techbooks/techhandbooks/dbscgs>].

The document replicates guidance published in support of building standards elsewhere in the UK and supports standardisation of the specification and expected performance of fixed building services throughout the UK. The guidance applies to new systems and replacement, in whole or in part, of existing systems. It also addresses improvement work to existing systems as a consequence of replacing components.

Common Areas of domestic buildings - controls to enable the safe use of lighting in common areas such as corridors, stairs and other circulation areas, are identified in guidance to Section 4.

6.6 Mechanical ventilation and air conditioning

Mandatory Standard

Standard 6.6

Every building must be designed and constructed in such a way that:

- a. the form and fabric of the building minimises the use of mechanical ventilating or cooling systems for cooling purposes, and
- b. ventilating and cooling systems installed are energy efficient and are capable of being controlled to achieve optimum energy efficiency.

Limitation:

This standard does not apply to buildings which do not use fuel or power for ventilating or cooling the internal environment.

6.6.0 Introduction

It is not desirable that dwellings or buildings consisting of dwellings have air-conditioning systems or use mechanical ventilation systems for cooling purposes, as this leads to increased energy use and higher carbon dioxide emissions. In view of this, guidance is intended to promote designs that avoid the need for such systems in dwellings. However where such systems are installed, which should generally only be a consideration when working with existing buildings, a performance specification to limit energy use is set out.

With the drive to reduce carbon dioxide emissions and limit energy demand in buildings, the need arises to consider efficient use of mechanical systems, including ventilation. Accordingly, guidance is now offered on power consumption and controls of such systems and on the efficiency of systems that incorporate heat recovery.

Conversions - in the case of conversions, as specified in regulation 4, the building as converted shall meet the requirement of this standard in so far as is reasonably practicable, and in no case be worse than before the conversion (regulation 12, schedule 6).

6.6.1 Form and fabric of the building

Reduce overheating - in order to minimise any need for mechanical ventilation for cooling or air-conditioning due to high internal temperatures in hot weather the following issues should be considered with regard to the form and the fabric of the dwelling:

- a. proportion of translucent glazing taking into account the need for daylighting and artificial lighting (Section 3 Environment and Standard 6.5)
- b. orientation of translucently glazed areas

- c. solar shading or other solar control measures where areas of the external building fabric are susceptible to solar gain
- d. natural ventilation (including night cooling), and
- e. thermal mass.

Further information is available in the Energy Saving Trust publication CE129 - 'Reducing Overheating - A Designer's Guide' [<http://www.energysavingtrust.org.uk/>].

Poor cross ventilation/high proportion of translucent glazing - where a dwelling has little or no cross ventilation (e.g. flats with all external windows/rooflights on one southerly elevation which is orientated between due east and due west) or a high proportion of translucent glazing:

- a. the dwelling should be designed to avoid high internal temperature (refer to advice above), and
- b. it should be shown by calculation that the 'likelihood of high internal temperature in hot weather' in the dwelling is 'not significant, slight or medium'. The recommended method to assess this is Appendix P to SAP 2012 [<http://www.bre.co.uk/sap2012/>]. The intention is to avoid the situation where a dwelling occupier installs mechanical cooling or air-conditioning at a later date.

Cooling system - where a mechanical cooling system is to be considered for a dwelling:

- a. the dwelling should first be designed to avoid any need for a cooling system (refer to advice above), and
- b. then the 'likelihood of high internal temperature in hot weather' should be assessed using Appendix P of SAP 2012.

If the 'likelihood of high internal temperature' is 'not significant, slight or medium' an air-conditioning system should not be installed.

6.6.2 Efficiency of mechanical ventilation and air conditioning systems in new and existing buildings

Guidance on the efficiency of mechanical ventilation and air conditioning systems is given in the Domestic Building Services Compliance Guide for Scotland <http://www.scotland.gov.uk/Topics/Built-Environment/Building/Building-standards/techbooks/techhandbooks/dbscgs>.

The document replicates guidance published in support of building standards elsewhere in the UK and supports standardisation of the specification and expected performance of fixed building services throughout the UK. The guidance applies to new systems and replacement, in whole or in part, of existing systems. It also addresses improvement work to existing systems as a consequence of replacing components.

Clause 6.6.3 provides information on situations not addressed in that document.

6.6.3 Design and installation of Ductwork

The design and installation of ductwork design can have a significant effect on the effectiveness of a ventilation system. Further guidance on basic good practice in installation and commissioning of ventilation systems can be found in the BSD 'Domestic Ventilation' Guide [<http://www.scotland.gov.uk/Topics/Built-Environment/Building/Building->

[standards/techbooks/techhandbooks](#)], published on the Building Standards Division website.

Reference should be made to Section 3: Environment for the provision of ventilation to buildings.

6.7 Commissioning building services

Mandatory Standard

Standard 6.7

Every building must be designed and constructed in such a way that energy supply systems and building services which use fuel or power for heating, lighting, ventilating and cooling the internal environment and heating the water, are commissioned to achieve optimum energy efficiency.

Limitation:

This standard does not apply to:

- a. major power plants serving the National Grid
- b. the process and emergency lighting components of a building
- c. heating provided solely for the purpose of frost protection, or
- d. energy supply systems used solely for industrial and commercial processes, leisure use and emergency use within a building.

6.7.0 Introduction

Commissioning in terms of this section means, raising the building services systems covered by this guidance from a level of static completion to full working order and achieving the levels of energy efficiency that the component manufacturers expect from their product(s). Commissioning however, should also be carried out with a view to enabling the safe operation of the installation.

Although there is no requirement within Section 6 for minimum efficiency levels of either, building-integrated or localised energy supply systems (e.g. diesel generators, micro wind turbines or photovoltaic arrays), there is a need for commissioning to be carried out to enable efficient use, unless they are exempt under schedule 1, regulation 3. Power plants which serve a number of buildings (e.g. housing estates) and only export surplus electricity to the National Grid will also need to be commissioned, unless exempt in terms of schedule 1, regulation 3.

Conversions - in the case of conversions, as specified in regulation 4, the building as converted shall meet the requirement of this standard (regulation 12, schedule 6).

6.7.1 Inspection and commissioning

All heating, hot water service, ventilating or cooling systems and any decentralised equipment for power generation in a dwelling or other area of a building consisting of

dwellings should be inspected and commissioned in accordance with manufacturers' instructions to enable optimum energy efficiency.

Guidance and supplementary information to assist the commissioning of installed building services is given in the Domestic Building Services Compliance Guide for Scotland <http://www.scotland.gov.uk/Topics/Built-Environment/Building/Building-standards/techbooks/techhandbooks/dbscgs>. The document is intended to support standardisation of the specification and expected performance of fixed building services throughout the UK. The guidance applies to new and replacement systems and components.

6.8 Written information

Mandatory Standard

Standard 6.8

The occupiers of a building must be provided with written information by the owner:

- a. **on the operation and maintenance of the building services and energy supply systems, and**
- b. **where any air-conditioning system in the building is subject to regulation 17, stating a time-based interval for inspection of the system.**

Limitation:

This standard does not apply to:

- a. major power plants serving the National Grid
- b. buildings which do not use fuel or power for heating, lighting, ventilating and cooling the internal environment and heating the water supply services
- c. the process and emergency lighting components of a building
- d. heating provided solely for the purpose of frost protection
- e. lighting systems in a domestic building, or
- f. energy supply systems used solely for industrial and commercial processes, leisure use and emergency use within a building.

6.8.0 Introduction

Correct use and maintenance of building services equipment is essential if the benefits of enhanced energy efficiency are to be realised from such equipment. The intention of this standard is to make the information that will help achieve this available to the occupier of the building.

Although there is no requirement within Section 6 for minimum efficiency levels of either, building-integrated or localised energy supply systems (e.g. diesel generators, micro wind turbines or photovoltaic arrays), there is a need for user and maintenance instructions to enable efficient use, unless they are exempt under schedule 1, regulation 3.

Power plants which serve a number of buildings (e.g. housing estates) and only export surplus electricity to the National Grid will also need to have user and maintenance instructions, unless exempt in terms of schedule 1, regulation 3.

Conversions - in the case of conversions, as specified in regulation 4, the building as converted shall meet the requirement of this standard (regulation 12, schedule 6).

6.8.1 Written information

Written information should be made available for the use of the occupier on the operation and maintenance of the heating, ventilation, cooling and hot water service system, any additional low carbon equipment installations and any decentralised equipment for power generation to encourage optimum energy efficiency. If an air conditioning system is installed in a dwelling the guidance to regulation 17 should be followed.

6.8.2 Quick Start Guide

In addition to comprehensive information provided under clause 6.8.1, a quick start guide, identifying all installed building services, the location of controls and identifying how systems should be used for optimum efficiency should be provided for each new dwelling. Further information and an example of such a guide can be found within Section 7 (Sustainability) – refer to Annex 7B [<http://www.gov.scot/Topics/Built-Environment/Building/Building-standards/techbooks/Sustainability>].

6.8.3 Work on existing buildings

Where alterations are carried out to building services on a piecemeal basis, the alterations may not result in optimum energy efficiency being attained for the whole system. In this case a list of recommendations which would improve the overall energy efficiency of the system should be provided.

6.9 Energy performance certificates

Mandatory Standard

Standard 6.9

Every building must be designed and constructed in such a way that:

- a. an energy performance certificate for the building is affixed to the building, and *
- c. the energy performance certificate is displayed in a prominent place within the building.

Limitation:

- a. This standard does not apply to:
 - i. buildings which do not use fuel or power for controlling the temperature of the internal environment
 - ii. non-domestic buildings and buildings that are ancillary to a dwelling that are stand alone having an area less than 50 square metres
 - iii. conversions, alterations and extensions to buildings other than -
 - (aa) alterations and extensions to stand-alone buildings having an area less than 50 square metres that would increase the area to 50 square metres or more, and
 - (bb) alterations to buildings involving the fit-out of the building shell which is the subject of a continuing requirement, or
 - iv. limited life buildings which have an intended life of less than 2 years.
- b. Standard 6.9(c) only applies to buildings:
 - i. with a floor area of more than 250 square metres
 - ii. into which members of the public have an express or implied licence to enter, and
 - iii. which are visited by members of the public on at least a weekly basis

* Standard 6.9(b) removed by the Building (Scotland) Amendment Regulations 2008 (<http://www.legislation.gov.uk/ssi/2008/310/contents/made>).

6.9.0 Introduction

Article 12 of Directive 2010/31/EU <http://eur-lex.europa.eu/LexUriServ/LexUriServ.do?uri=OJ:L:2010:153:0013:0035:EN:PDF> on the Energy Performance of Buildings requires that, when buildings or building units are constructed, sold or rented out, an energy performance certificate (EPC) <http://www.scotland.gov.uk/Topics/Built-Environment/Building/Building-standards/enerperfor> or a copy thereof is shown to the prospective new tenant or buyer and handed over to the buyer or new tenant. Standard 6.9 ensures the continued presence of such information for buyers and tenants by also making EPCs fixtures within buildings.

EPCs must be produced in an independent manner and be carried out by qualified/ accredited experts. With the exception of EPCs produced in relation to a building warrant applied for before 9 January 2013, EPCs must be produced by members of an Approved Organisation. Scottish Ministers have appointed a number of Approved Organisations (AO) to deliver certification services, with each AO following an Operating Framework which is published on the Building Standards Division website. Information on this framework and Approved Organisations can be found at <http://www.scotland.gov.uk/epc>.

Scottish Ministers have directed local authorities to apply Standard 6.9 (a) to existing buildings using Section 25 (2) of the Building (Scotland) Act 2003. The direction limits the description of the buildings to which this standard applies to those that are being sold or rented out, in support of duties imposed by The Energy Performance of Buildings (Scotland) Regulations 2008 <http://www.legislation.gov.uk/ssi/2008/309/contents/made>.

Definitions in application of this standard 'energy performance certificate' has the same meaning as given in The Energy Performance of Buildings (Scotland) Regulations 2008 <http://www.legislation.gov.uk/ssi/2008/309/contents/made>.

Guidance leaflets are available on the BSD website (<http://www.scotland.gov.uk/Topics/Built-Environment/Building/Building-standards/publications/pubepc>) explaining the action that building owners need to take in order to comply.

Conversions - in the case of conversions, as specified in regulation 4 Standard 6.9 does not apply.

6.9.1 Calculating the carbon dioxide emissions for a certificate

The EU Directive allows energy performance to be reflected in one or more numeric indicators. For this to be done in a transparent manner that is meaningful in terms of Scottish building regulations, the measure to be used is carbon dioxide.

Simplified approach - the certification must be carried out using the Directive compliant methodology and the calculation tool which was used to assess compliance with Standard 6.1. In most cases SAP 2012 [<http://www.bre.co.uk/sap2012>] will have been used for the new dwelling. However if the simplified approach referred to in clause 6.1.6 has been adopted for the new dwelling, the construction specification for the building, as constructed, will require to be input in full to enable generation of the EPC.

Use of actual values - for the purpose of establishing a rating for the energy performance certificate for a new dwelling, the values and specifications used to obtain building warrant (as varied by any subsequent amendments to warrant) should be adopted. Where a domestic building contains multiple dwellings, a rating is required for each individual dwelling. For certification purposes the rating is calculated with the percentage of low energy lighting and the type of heating as installed. Note, there will be no need to assume 10% electric secondary heating if secondary heating is not present.

Non-domestic use within dwellings - accommodation up to 50m² used by an occupant of a dwelling in their professional or business capacity should be considered as a part of the dwelling.

6.9.2 Information to be provided for buildings

The energy performance certificate must display the following information:

- the postal address of the building for which the certificate is issued
- a unique reference number (other than for an EPC produced in support of a building warrant applied for before 9 January 2013)

- the date of the assessment
- the date of the certificate
- the dwelling type
- the type of assessment used for certification
- the conditioned floor area of the building
- the main heating and fuel type
- a primary energy indicator
- the current and potential energy efficiency rating expressed on seven band scale representing the following bands of running costs; A, B, C, D, E, F and G, where A = excellent and G = very poor
- the current and potential environmental impact rating expressed on a seven band scale representing the following bands of carbon dioxide emissions; A, B, C, D, E, F and G, where A = excellent and G = very poor
- a list of the top applicable recommendations for cost-effective improvements
- a statement indicating that more detailed information on the recommendations made in the EPC is contained in the recommendations report, and
- a statement to the effect that the EPC must be affixed to the building and not to be removed unless it is replaced with an updated version.

The recommendations report, which must accompany the EPC, but which does not have to be affixed to the building, includes the following additional information:

- a summary of the energy performance related features of the dwelling
- estimated energy costs (based upon standard use patterns), and
- a list of all improvements identified for the dwelling and further information on each measure.

An example of the EPC and recommendations report is available on the Building Standards Division website.

Cost-effective improvement - there are cost-effective, low-cost, energy efficiency improvements that can be made to most dwellings (when no other work is proposed) such as upgrade insulation in an accessible roof space or fit low energy lamps throughout the dwelling. Measures presented on the certificate and recommendations report must meet Scottish building regulations, relevant to the individual dwelling and should be technically feasible.

Additional advice - a piece of advice that is worthwhile including is that a conservatory (where one is installed) is only an energy efficiency benefit to the dwelling if it remains unheated and is not mechanically cooled.

The recommendations report may give additional advice on protected energy costs and improvements that are cost-effective only when additional work is being carried out e.g. providing insulation when replacing flat roof coverings.

Some experts providing certificates may wish to add extra value and give additional advice to their clients. All of this is welcome, but in every case, such information should be clearly explained in the addendum section of the recommendations report and be accompanied by advice on relevant warrants and building regulations. Sources of further energy saving advice and funding options are also noted in the recommendations report.

6.9.3 Location of an energy performance certificate

The energy performance certificate should be indelibly marked and located in a position that is readily accessible, protected from weather and not easily obscured. A suitable location could be in a cupboard containing the gas or electricity meter or the water supply stopcock.

6.9.4 Conservatories and other stand-alone buildings

For conservatories and for other ancillary stand-alone buildings of less than 50m² floor area, an energy performance certificate need not be provided. For those buildings of a floor area of 50m² or more, the guidance in the Non-domestic Technical Handbook should be followed and an additional certificate supplementing the one for the dwelling should be provided.

6.10 Metering

Mandatory Standard

Standard 6.10

Every building must be designed and constructed in such a way that each building or part of a building designed for different occupation is fitted with fuel and power meters.

Limitation:

This standard does not apply to:

- a. domestic buildings
- b. district or block heating systems where each part of the building designed for different occupation is fitted with heat meters, or
- c. heating fired by solid fuel or biomass.

6.10.0 Introduction

This standard does not apply to domestic buildings as fuel providers e.g. gas companies, provide meters to dwellings to enable correct charging for fuel used by the customer.

Annex 6.A Compensating U-values for windows, doors and rooflights

6.A.0 Introduction

This annex gives guidance on how to calculate the average U-values for windows, doors, and rooflights and supports the guidance to Standards 6.1 and 6.2. It may be used with the elemental methods provided and, in particular:

- the simplified approach in the guidance to Standard 6.1, where it is not possible to input the individual U-values for all the windows, doors and rooflights for the proposed new dwelling into the methodology (usually SAP 2012), and
- for work on existing domestic buildings, namely, conversions, extensions, replacements, alterations, and conservatories (clauses 6.2.6 to 6.2.12).

Individual windows, doors or rooflights may exceed the relevant area-weighted average U-values identified in guidance provided that the average U-value calculated for all the windows, doors and rooflights is no greater than that relevant U-value.

The example which follows below illustrates how this trade-off can be calculated.

6.A.1 Example of trade-off between windows, doors and rooflights

A semi-detached house has a total window area of 17.8m^2 (including frames) and a total door area of 3.8m^2 . It is proposed to use 2 external quality timber finished fire doors with a U-value of $1.9\text{W}/\text{m}^2\text{K}$.

In order to meet Standards 6.1 and 6.2, the additional heat loss due to the use of the poorer external doors should be compensated for by more demanding U-values in the windows and/or rooflights so that the average overall U-value of such elements does not exceed $1.6\text{W}/\text{m}^2\text{K}$ (see table to clause 6.2.1).

Specifying windows and rooflights with a U-value of $1.5\text{W}/\text{m}^2\text{K}$ can achieve this requirement, as shown by the following table and subsequent calculation:

Table 6.6 Average U-value calculation

Element	Area (m^2)		U-value ($\text{W}/\text{m}^2\text{K}$)		Rate of heat loss (W/K)
Windows	16.9	x	1.5 [1]	=	25.35
Doors	3.8	x	1.9	=	7.22
Rooflights	0.9	x	1.8 [1]	=	1.62
Total	<u>21.6</u>				34.19

Notes:

1. Note that although the windows and rooflights have the same U-value, for the purpose of calculation the rooflight value is $0.3\text{W}/\text{m}^2\text{K}$ poorer due to inclination from the vertical plane (see BR 443 - 'Conventions for U-value Calculations' [http://www.bre.co.uk/filelibrary/pdf/rpts/br_443_\(2006_edition\).pdf](http://www.bre.co.uk/filelibrary/pdf/rpts/br_443_(2006_edition).pdf)).

This gives an average U-value of $34.19 \div 21.6$, or $1.58\text{W}/\text{m}^2\text{K}$. The windows, doors and rooflights can therefore be considered to follow the objectives of the requirement for the insulation envelope.

Annex 6.B Compensatory approach - heat loss example

6.B.0 Introduction

This annex gives an example of the compensatory approach for use in the design of conversions, extensions and alterations. This is likely to be of use where there is a need to

specify one or more constructions with a U-value higher than the recommended maximum area-weighted average U-values given in either column (a) or (b) of the table to clause 6.2.9.

The examples given in this instance are for an attic conversion and for a single storey extension, however the same principles apply to other substantial alterations, extensions and conversions:

- example 6.B.1 shows use of better U-values to some elements to compensate for lack of headroom in an attic conversion where column (b) U-values apply
- example 6.B.2 shows use of better U-values to enable a larger area of glazing within an extension where column (b) U-values apply
- example 6.B.3, based on the extension shown in 6.B.2, shows a building where column (a) area-weighted U-values apply and target the heat loss limit being met by a combination of an extension which meets or exceeds column (b) U-values and fabric improvements to the existing building.

Note that this method can only be used in conversions, if the recommended U-values are met in full, not where values are being met as far as is reasonably practicable.

Separate work under the same building warrant - a single compensatory approach calculation can be carried out to cover separate areas of work to an existing dwelling provided the same assessment criteria (maximum U-values, etc) are applicable to each area of work.

6.B.1 Example: alteration to create rooms in a roof space

Note: where works are a conversion, works are subject to the U-values within column (b) in the table to clause 6.2.9.

It is proposed to form two rooms in the roof space of an existing single storey dwelling. The extra floor area created (including opening for stairway) will be 36.4m². A plan and section of the proposed layout is shown in the figure below. A key part of the design is to create as much headroom as possible below the new coombe ceilings. The existing rafters are only 150mm deep therefore it is difficult to achieve the recommended elemental U-value of 0.18 (see column (b) in the table to clause 6.2.9), without using branders or having an excessive thickness of insulated ceiling lining. The principal compensatory measure will be to highly insulate the attic walls that occur directly below the lowest part of the coombes. The existing gables will be provided with insulated internal wall lining to improve the U-value where the insulation envelope now occurs. The four no. 1.5m² rooflights installed have timber frames. The floor that will be formed at the line of the existing ceiling ties is wholly within the insulation envelope and is therefore disregarded for the purposes of this calculation.

Procedure:

- The heat loss for a 'notional attic' (i.e. an attic the same size and shape as the proposed attic but with its area of window/doors/ rooflights taken as a maximum 25% of the floor area) is calculated using the U-values in column (b) in the table to clause 6.2.9.
- The internal exposed surface areas of each of the elements of the proposed building insulation envelope that have different area weighted U-values are calculated.
- The heat loss for the proposed attic is calculated using proposed U-values for building elements, which may be higher or lower than those recommended in column (b) of the

table to clause 6.2.9. The percentage area of windows/doors/rooflight area as proposed may also be greater or less than 25%.

- Finally, the heat loss calculated for the proposed attic should be less than or equal to that for the 'notional' one.

Calculate the rate of heat loss from the 'notional attic' as follows:

Figure 6.1 Attic Example

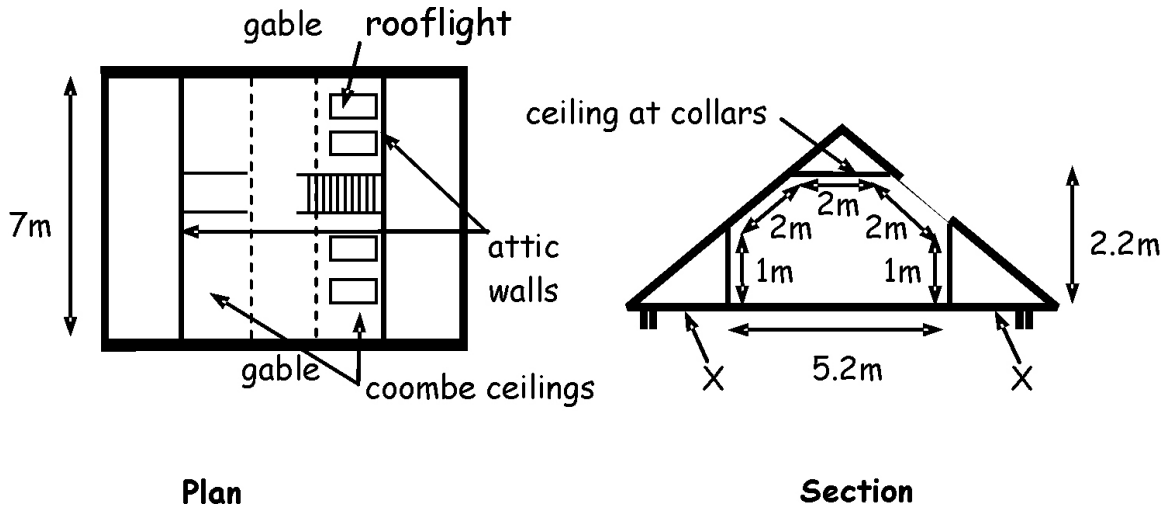


Table 6.7 Data for 'notional' attic alteration

Exposed element	Exposed surface area (m ²)		Column (b) U-value (W/m ² K)		Rate of heat loss (W/K)
Gables	19.0	x	0.22	=	4.18
Attic walls	14.0	x	0.22	=	3.08
Ceiling at collars	14.0	x	0.15	=	2.10
Coombe ceiling	18.9	x	0.18	=	3.40
Rooflights	9.1 (25%)	x	1.6	=	14.56
Total rate of heat loss					= <u>27.32</u>

Then calculate the rate of heat loss from the proposed attic as follows:

Table 6.8 Data for proposed attic alteration

Exposed element	Exposed surface area (m ²)		Column (b) U-value (W/m ² K)		Rate of heat loss (W/K)
Gables	19.0	x	0.30	=	5.70
Attic walls	14.0	x	0.20	=	2.80
Ceiling at collars	14.0	x	0.15	=	2.10
Coombe ceiling	22.0	x	0.32	=	7.04
Rooflights	6.0 (16.5%)	x	1.6	=	9.60
Total rate of heat loss					= <u>27.24</u>

From the above comparison, the rate of heat loss from the proposed attic (27.24) is less than that from the 'notional attic' (27.32). Proposals will comply.

Additional insulation work - the existing dwelling is of an age where there was no insulation provided in the roof space at the time of the original construction. Guidance on 'reconstruction of elements' within clause 6.2.11 recommends that where an element forming part of the insulation envelope is to be altered or dismantled and rebuilt, the opportunity should be taken to improve the level of thermal insulation.

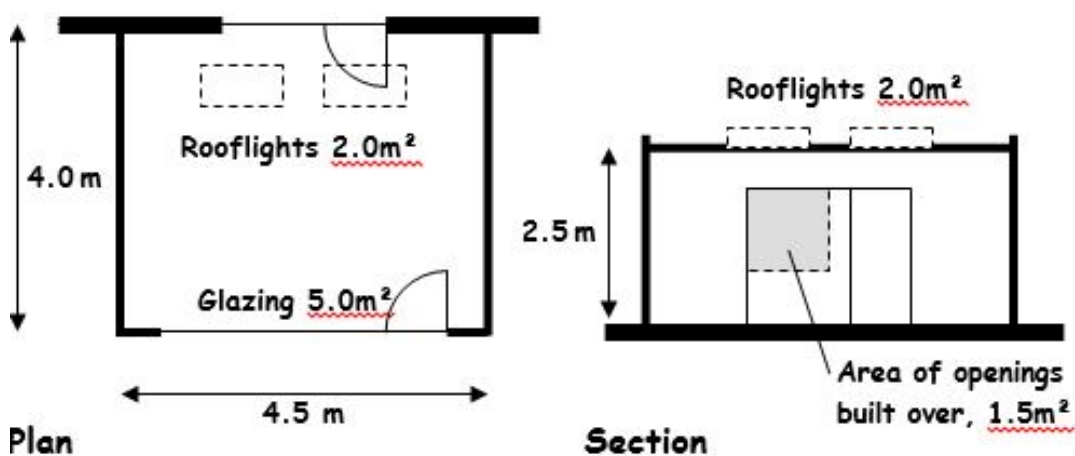
In this example, there is no technical risk or other reason which prevents the level ceiling at the eaves of the roof (see X on the section) being upgraded to achieve a U-value of 0.15 as noted in column (b) of the table to clause 6.2.9. This would therefore be required as part of the proposed works.

6.B.2 Example: single storey extension

Note: in this example, the fabric performance of the existing building allows use of the U-values within column (b) in the table to clause 6.2.9.

It is proposed to form a single room, flat-roof extension to the rear of an existing dwelling. The floor area of the extension is 18.0m^2 and it is to be built over existing openings totalling 1.5m^2 in area. A plan and section of the proposed layout is shown in the figure below. A key element of the design is provision of significant glazing (5.0m^2) to the end wall of the extension to provide views across the large garden and rooflights (2.0m^2) to maximise light into the existing dwelling. However, this area of openings is in excess of the maximum recommended in clause 6.2.9, 25% of the extension floor area plus any built-over openings. To achieve compliance with Standard 6.2, it is proposed to increase insulation U-values in floor and roof.

Figure 6.2 Single Storey extension



Procedure:

- The heat loss for a 'notional extension' (i.e. one the same size and shape as the proposed extension but with the area of window/doors/rooflights taken as a maximum 25% of the floor area plus the area of any built-over openings) is calculated using the U-values in column (b) in the table to clause 6.2.9. As no differentiation is made between U-values for doors, windows and for rooflights, the applicant may determine from which element(s) of the envelope this area is deducted.
- The internal exposed surface areas of each of the elements of the proposed building insulation envelope that have different area-weighted U-values are calculated.
- The heat loss for the proposed extension is calculated using proposed U-values for building elements, which may be higher or lower than those recommended in column (b) of the table to clause 6.2.9. The percentage area of windows/doors/rooflight area, as proposed, may also be greater or less than 25%.

- The total area of exposed elements will not be the same for notional and proposed extensions where there is any area of built-over openings, which are added only to the notional extension.
- Finally, the heat loss for the proposed extension should be less than or equal to that for the 'notional' one.

Calculate the rate of heat loss from the 'notional' extension as follows:

Table 6.9 'Data for 'notional extension'

Exposed element	Exposed surface area (m ²)		Design U-values (W/m ² K)		Rate of heat loss (W/K)
Floor	18.0	x	0.18	=	3.24
Roof	18.0	x	0.18	=	3.24
External wall	26.8	x	0.22	=	5.89
Openings	4.5 (25%) + 1.5 (built over)	x	1.6	=	9.6
Total rate of heat loss					= 21.97

Then calculate the rate of heat loss from the proposed extension as follows:

Table 6.10 Data for proposed extension

Exposed element	Exposed surface area (m ²)		Column (b) Design U-values (W/m ² K)		Rate of heat loss (W/K)
Floor	18.0	x	0.15	=	2.70
Roof	16.0	x	0.15	=	2.40
External wall	26.3	x	0.22	=	5.79
Openings	5.0 + 2.0	x	1.4	=	9.80
Total rate of heat loss					= 20.69

From the above comparison, the rate of heat loss from the proposed extension (20.69) is less than that from the 'notional extension' (21.97). Proposals will comply.

6.B.3 Example: single storey extension subject to column (a)

Using the example above, this further exercise shows how an applicant may, where column (a) U-values apply, demonstrate compliance where an extension has an overall heat loss better than that for a column (b) notional extension, with the balance of energy savings delivered through improvement to the fabric of the existing dwelling.

The first additional step is calculating the total rate of heat loss for the more challenging column (a) notional extension, using the same process outlined in clause 6.B.2.

Table 6.11 Data for column (a) 'notional extension'

Exposed element	Exposed surface area (m ²)		Column (a) Design U-values (W/m ² K)		Rate of heat loss (W/K)
Floor	18.0	x	0.15	=	2.70

Exposed element	Exposed surface area (m ²)		Column (a) Design U-values (W/m ² K)		Rate of heat loss (W/K)	
Roof	18.0	x	0.13	=	2.34	
External wall	26.8	x	0.17	=	4.56	
Openings	4.5 (25% + 1.5 (built over))	x	1.4	=	8.40	
Total rate of heat loss					=	18.0

The exercise in clause 6.B.2 identified a proposed extension which met or improved upon the heat loss for a column (b) notional extension, as follows:

Table 6.12 Data for proposed extension

Exposed element	Exposed surface area (m ²)		Column (a) Design U-values (W/m ² K)		Rate of heat loss (W/K)	
Floor	18.0	x	0.15	=	2.70	
Roof	16.0	x	0.15	=	2.40	
External wall	26.3	x	0.22	=	5.79	
Openings	5.0 + 2.0	x	1.4	=	9.80	
Total rate of heat loss					=	20.69

This allows the difference in rate of heat loss between the column (a) notional extension and the column (b) proposed extension to be identified.

Rate of heat loss to be addressed: $20.69 - 18.0 = 2.69 \text{ W/K}$

In this example, to deliver this improvement within the existing dwelling, additional insulation of an accessible roof space is proposed.

- Roof space of 20m² with 150mm mineral wool insulation between ties. Top up of 150mm insulation, laid at right angles to roof ties.

Table 6.13 Benefit of proposed improvement measure(s)

Benefit of proposed improvement measure(s)	
U-value of existing construction	0.29W/m ² /K
U-value of proposed construction	0.14W/m ² /K
Reduced rate of heat loss per m ² of insulation	0.15W/K
Area applicable to proposed measure	20m ²
Total reduction in heat loss for proposed measure	3.0W/K

Note: Benefit of improvement measure should be supported by full material specification and U-value calculation.

Total rate of heat loss (proposed extension – improvement measures) should not exceed total rate of heat loss (column (a) notional extension).

In this case: $20.69 - 3.0 = 17.69$.

From the above comparison, the rate of heat loss from the proposed extension and improvements (17.69) is no more than that from the column (a) 'notional extension' (18.0).

The rate of heat loss from the proposed extension is also no more than for a column (b) notional extension. Proposal will therefore comply.

Annex 6.C - Consideration of High-Efficiency Alternative Systems in New Buildings

Note: the context of this annex were previously published in Q&A form as Guidance Leaflet EPC-10 'Consideration of High-Efficiency Alternative Systems in New Buildings'.

6.C.0 Introduction

On 9 January 2013, a new requirement within building regulations was introduced in response to Article 6 (new buildings) of Directive 2010/31/EU on the Energy Performance of Buildings -

Article 6 - New buildings

1. Member States shall take the necessary measures to ensure that new buildings meet the minimum energy performance requirements set in accordance with Article 4.

For new buildings, Member States shall ensure that, before construction starts, the technical, environmental and economic feasibility of high-efficiency alternative systems such as those listed below, if available, is considered and taken into account:

- decentralised energy supply systems based on energy from renewable sources
 - cogeneration
 - district or block heating or cooling, particularly where it is based entirely or partially on energy from renewable sources
 - heat pumps
2. Member States shall ensure that the analysis of alternative systems referred to in paragraph 1 is documented and available for verification purposes.
 3. That analysis of alternative systems may be carried out for individual buildings or for groups of similar buildings or for common typologies of buildings in the same area. As far as collective heating and cooling systems are concerned, the analysis may be carried out for all buildings connected to the system in the same area.

Accordingly, a statement on how these technologies were considered in arriving at the solution within a building warrant submission should accompany each application for building warrant for a new building made on or after 9 January 2013.

This is relevant to systems specified in relation to Standard 6.3 (heating systems) and, where mechanical cooling is proposed, Standard 6.6 (mechanical ventilation and air conditioning) and also to use of low or zero carbon generating technologies which contribute to meeting emissions targets set under Standard 6.1 (carbon dioxide emissions).

6.C.1 Implications for design

This requirement has no direct implications for the design, specification and construction of new buildings and the functional standards and guidance applicable to heating and cooling systems were unchanged within the Technical Handbooks.

Applicants are not required to use the described technologies. The purpose of this article of the Directive is to encourage awareness and consideration of such solutions.

Whilst new buildings do not have to incorporate such technologies, the challenging standards set under Standard 6.1 (carbon dioxide emissions) do mean that they are a more common part of design solutions in energy efficient, low carbon buildings. For example, elements such as photovoltaic (PV) panels and (in the electricity fuel package) an air to water heat pump is used in the specification to set the Target Emissions Rate for new homes.

This means that a range of 'high-efficiency alternative systems' will be considered as a matter of course as part of the design process for new homes. This process should not therefore generate a separate and detailed options analysis but will simply record the key outcomes of discussions on this topic during the design process.

6.C.2 Process

When submitting a building warrant, applicants should include a short design statement identifying how the technologies identified in the Directive were discussed and considered as options during the design process and the outcome of that process as shown in submitted proposals.

These technologies include, but need not be limited to:

- decentralised energy supply systems (technologies that do not rely directly on the high-voltage electricity transmission network or gas grid) based on energy from renewable sources
- cogeneration - e.g. combined heat and power (CHP)
- district or block heating or cooling - including partial or full use of renewable energy sources, and
- heat pump technologies

There is no prescribed format or standard form for this exercise but the statement should include at least the following elements.

- Applicant – name, address and contact details
- Duly authorised Agent (if any) – name, address and contact details
- Owner (only if different from applicant) – name, address and contact details
- Location of building or site to which the application relates – address & post code (if known)
- Proposed use of building

All the above information should be as recorded on the building warrant application form, plus

- In providing solutions which meet Standards 6.1 (carbon dioxide emissions), 6.3 (heating system) and 6.6 (mechanical ventilation and air conditioning), is use of high-efficiency alternative systems specified? (if yes, list solutions used)
- If such systems are present, main reasons influencing the decision to use?
- If such systems not used, main reasons influencing the decision to not adopt options?

Analysis may be as concise or as comprehensive as the applicant or their agent consider to be appropriate to the level of discussion that occurred and type and complexity of the project.

A single assessment can be provided with each building warrant though the assessment may have to include separate analysis sections where buildings are different in form or use. Article 6(3) clearly notes that *“analysis of alternative systems may be carried out for individual buildings or for groups of similar buildings or for common typologies of buildings in the same area”*.

Once submitted, the statement is retained with other building warrant information as a document of record. The verifier is only required to record receipt of the statement and takes no action in respect of the content.

Sustainability

7.0 Introduction

7.0.1 Background

Sustainable development has been defined as meeting “the needs of the present without compromising the ability of future generations to meet their own needs” by the Brundtland Commission of the United Nations in 1983. It follows that the process of sustainable development and the quality of ‘sustainability’ to aspire to within the built environment should account for:

- social, economic and environmental factors
- the potential for long-term maintenance of human well-being in and around buildings
- the well-being of the natural world and the responsible use of natural resources, without destroying the ecological balance of the area where these resources originate or are processed, and
- the ability for the built environment to be maintained.

The Building (Scotland) Act 2003 allows Scottish Ministers to regulate for the purpose of furthering the achievement of sustainable development. In Scotland, sustainability is embedded into the building regulations for all new buildings, rather than reference being made to new buildings achieving levels within a voluntary system. Since 2005, progress has been made by strengthening the standards on, for example, energy efficiency and accessibility for all new buildings so they are comparable with the best in Europe.

Whilst the standards within Sections 1 - 6 of the 2013 Technical Handbooks deliver a level of sustainability in a number of areas such as energy efficiency, surface water drainage and sound insulation, there is always the possibility of going beyond the minimum standard. Scottish Ministers consider that it is not practicable at this time to require every building to incorporate higher performance standards or further sustainability measures. However developers may wish to gain recognition for building to higher standards. Additionally, organisations such as planning authorities or funding bodies may choose to make constructing to a higher level of sustainability a condition of approval or funding.

Defining higher standards to measure sustainability will enable higher quality buildings to be created and for such benefits to be formally recognised. The introduction of Section 7 is the next step in encouraging the sustainable design and construction of all new buildings within a broader context of sustainable development. Further reductions in carbon dioxide (CO₂) emissions from new buildings will also assist in meeting targets within the Climate Change (Scotland) Act 2009.

7.0.2 Aims

The intention of the standard in Section 7 is to:

- recognise the level of sustainability already achieved by the building regulations. By setting the 2010 Standards as the benchmark level, credit is given to meeting the standards within Sections 1 - 6 of the building regulations. This will emphasise that a degree of sustainable design and construction is not a niche market but must be achieved in all new buildings
- encourage more demanding sustainability standards through enhanced upper levels.

- encourage consistency between planning authorities that use supplementary guidance to promote higher measures of sustainable construction in their geographical areas. By making reference to this standard, local aspirations can be met by selection of clear national benchmarks. Levels of sustainability have been defined that must include a low or zero carbon generating technology, with reference to Section 72 of the Climate Change (Scotland) Act 2009.

7.0.3 Scope

The measures on sustainability are broadly related to the built form but some matters that are associated with sustainable development such as location and transport cannot be adequately delivered by the building standards system. The scope of the measures can be divided into two sets:

- **Climate change, energy and resource use** - Promote the more efficient use of energy, fuel and water in buildings. Reducing water use will reduce the energy consumed and the carbon emissions associated with distributing, processing and heating of water. It is also important that building occupants have the opportunity to understand how their behaviour can reduce use of these resources.
- **Quality of life; material use and waste** - Homes should be designed to accommodate flexible living, working and studying patterns for individuals, groups and families. More aspects of designing for well-being, such as daylighting rooms more effectively and protecting from noise from adjacent buildings, should be promoted for all new home occupants.

There are areas considered inappropriate for inclusion in the optional upper levels for domestic buildings due to the complexity of some subjects related to building design such as material sourcing and embodied energy. However the Sullivan Report ('A Low Carbon Building Standards Strategy for Scotland'; published by Scottish Ministers in 2007) recommends total-life zero carbon buildings by 2030. This standard can respond in due course to the growing relative importance of embodied energy as the performance of new buildings improves further. At present these areas are outside the scope of this standard. Reference to external examples of guidance that allow appraisal of local or ethical construction material sourcing, embodied energy and use of recycled materials are the BRE's Green Guide to Specification (www.bre.co.uk) and the materials section on www.greenspec.co.uk

7.0.4 Explanation of terms

Aspect is a term used for a subject area of sustainability. Due to the coverage of building standards and the position of the warrant process in the overall development process, aspects covering resource use and performance are more prominent in this standard. Examples of aspects named and defined in this standard for dwellings are:

- Energy for water heating
- Well-being and security, and
- Material use and waste

Within the aspect of flexibility and adaptability a 'home office' is a space for a desk in a dwelling to allow work or study. A mobility space is a space that could accommodate an electric wheelchair or an infant's pram or a bicycle.

Level is the term used as a banding, where all the aspects of sustainability have reached a certain cut-off point. Upper levels in some aspects may become absorbed into guidance in Sections 1 to 6 to meet revised mandatory functional standards following future reviews

of these sections. However, they should not be seen as predictions because the process for review of these sections are independent of Section 7. It is possible that levels that are more demanding may be added into Section 7 in the future.

7.0.5 Latest changes

The following change has been introduced since October 2013:

- **Standard 7.1** - amendments have been made to guidance with regard to the carbon dioxide (CO₂) emissions target within the Silver and Gold level of Sustainability labelling in relation to the CO₂ emissions target introduced by the 2015 energy standards.

7.0.6 Relevant legislation

The Climate Change (Scotland) Act 2009 introduced clause 3F into the Town and Country Planning (Scotland) Act 1997. This places an obligation on local authorities within their development plans to avoid a specified and rising proportion of greenhouse gases by use of low and zero carbon generating technologies. Some of the levels in this standard could be referred to by local authorities when setting local policy in response to this legislation.

The EU Renewable Energy Directive 2009/28/EC states that by December 2014 Member States shall, in their building regulations and codes or by other means with equivalent effect, where appropriate, require the use of minimum levels of energy from renewable sources in new buildings and in existing buildings that are subject to major renovation.

7.0.7 Retrospective application

Scottish Ministers have powers under Section 25 of the Building (Scotland) Act 2003 to make a Direction to local authorities where they consider that buildings of any description to which building regulations apply ought to comply with a provision of the regulations.

This power has been used to direct local authorities to apply Section 7 to buildings that have been assessed by verifiers. This would only be relevant for buildings that met Sections 1- 6, that have been in force since October 2010 and where, an applicant seeks the recognition that a specified level of sustainability on a label offers. Directions to local authorities, which enable the following measures, are published on the Building Standards Division website.

7.0.8 Certification

Scottish Ministers can, under Section 7 of the Building (Scotland) Act 2003, approve schemes for the certification of design or construction for compliance with the mandatory functional standards. Such schemes are approved on the basis that the procedures adopted by the scheme will take account of the need to co-ordinate the work of various designers and specialist contractors. Individuals approved to provide certification services under the scheme are assessed to make sure that they have the qualifications, skills and experience to certify compliance for the work covered by the scope of the scheme. Checking procedures adopted by Approved Certifiers will deliver design or installation reliability in accordance with legislation.

7.0.9 Other sustainability indicators

Other tools to assess a level of sustainability for new buildings exist and are used in Scotland. These indicators may be selected as appropriate for some developments because they cover issues such as location, orientation on site, or transport that are

broader than building regulations can include. Other established indicators place greater emphasis on the sourcing and embodied energy of construction materials, an area flagged up in this section for future review. Other tools could be complementary in an assessment of sustainability but they cannot be used as a method to meet an optional upper level of sustainability within building regulations.

7.1 Statement of sustainability

Mandatory Standard

Standard 7.1

Every building must be designed and constructed in such a way that:

- a. **with regard to a dwelling or school building containing classrooms, a level of sustainability specified by the Scottish Ministers in respect of carbon dioxide emissions, resource use, building flexibility, adaptability and occupant well-being is achieved**
- b. **with regard to a non-domestic building other than a school building containing classrooms, a level of sustainability specified by the Scottish Ministers in respect of carbon dioxide emissions is achieved, and**
- c. **a statement of the level of sustainability achieved is affixed to the dwelling or non-domestic building.**

Limitation:

This standard does not apply to:

- a. alterations and extensions to buildings
- b. conversions of buildings
- c. buildings that are ancillary to a dwelling that are stand-alone having an area less than 50 square metres
- d. buildings which will not be heated or cooled other than by heating provided solely for the purpose of frost protection
- e. buildings intended to have a life not exceeding the period specified in regulation 6, or
- f. conservatories.

7.1.0 Statement of sustainability (sustainability label)

The statement of sustainability (sustainability label, or SL) that includes the level of sustainability achieved must be fixed to the building prior to completion. The sustainability label should be indelibly marked and located in a position that is readily accessible, protected from weather and not easily obscured. A suitable location could be in a internal cupboard containing a utility meter or the owner may choose to display the label in a more prominent location. An example of an approved label with the overall level achieved on the left hand side and the levels achieved in each of the individual aspects of sustainability on

the right hand side is given in Annex E. A program to generate such a label that is specific to a building can be accessed here: <http://www.s7sust.co.uk/>.

7.1.1 Levels of sustainability

The specified level of sustainability for a dwelling should be selected from the following:

- Bronze or Bronze Active
- Silver or Silver Active
- Gold

The aim is for balance in the setting of upper levels because sustainability is considered in the round rather than focusing on issues of energy or carbon emissions clauses 7.1 — 7.1.1. Reaching upper levels should be a valid target for any new development, regardless of size or location. Generally, levels have been set to avoid individual aspects that could upset applications which might otherwise meet all of the other aspects of sustainability.

The first optional upper level 'Silver' offers substantial benefits in a range of sustainability aspects which should be achievable by a sector of the mainstream market. The second optional upper level 'gold' is a more demanding target, initially aimed at those intent on pursuing best practice.

Buildings that exceed a gold sustainability level are also welcomed. A third upper level called 'platinum' has been reserved for further recognition within the building standards system. At present, only the aspect of carbon dioxide emissions has been defined for this level.

Buildings that exceed Bronze, Bronze Active, Silver, Silver Active or Gold levels by achieving a higher level criteria in one or more of the aspects are welcome. This additional achievement will be reflected on the sustainability label. However the achievement of the next upper level will only be recognised once all aspects of that particular level have been included. The award of an overall upper level depends upon meeting all aspects, rather than allowing trade-offs to achieve a score, reinforcing the fact that sustainable outcomes rely on holistic integrated design.

The specified levels of sustainability in clauses 7.1.2 to 7.1.7, are sets of measures that are transparent to all including verifiers, planners, funding bodies, owners and tenants. To meet this standard, it should not be necessary to secure expert evaluation beyond that already used in the design to demonstrate compliance with the standards in Sections 1 to 6.

7.1.2 Bronze level

This is the baseline level for sustainability achieved where the dwelling meets the functional standards set out in Sections 1 – 6 of this Handbook.

7.1.3 Bronze Active level

This is the baseline level where the dwelling meets the functional standards set out in Sections 1 – 6 of this Handbook, but in addition the dwelling includes the use of a low and zero carbon generating technology (LZCGT) in respect of meeting Standard 6.1 within Section 6, Energy. This level is primarily to assist local authorities to meet their obligations under Section 72 of the Climate Change (Scotland) Act 2009 by identifying the use of LZCGT. In this respect, LZCGTs include: wind turbines, water turbines, heat pumps (all varieties), solar thermal panels, photovoltaic panels, combined heat and power units (fired by low emission sources), fuel cells, biomass boilers/stoves and biogas.

7.1.4 Silver level

A dwelling at this first optional upper level should meet all the standards in Sections 1 – 6 that apply to the building for the Bronze level and, in addition, the dwelling should comply with the Silver level in each of the eight aspects below.

Aspect Silver level 1: Carbon dioxide emissions

All new dwellings that meet or exceed the Target Emissions Rate (TER) detailed in Section 6, Energy of this Handbook, will automatically meet the Silver level criteria in respect of CO₂ emissions. This is due to the 21% improvement on the 2010 standards that occurred in October 2015.

Aspect Silver level 2: Energy for space heating

Maximum annual demand for useful energy for space heating should be:

- 40kWh/m² for houses, or
- 30kWh/m² for flats or maisonettes

To assess, the output from box no.99 of the SAP 2012 DER worksheet should be no more than the figures above.

Aspect Silver level 3: Energy for water heating

At least 5% of the dwelling or domestic building's annual energy demand for water heating should be from:

- heat recovery and/or renewable sources with little or no associated fuel costs (e.g. solar thermal water heating and associated storage or heat recovery from greywater) that are allocated for water heating.

To assess, the annual energy demand for water heating in kWh multiplied by 0.05, should be no more than the contribution from specified equipment that uses renewable energy and/or heat recovery. A SAP spreadsheet is available for this calculation here: <http://www.bre.co.uk/sap2012/page.jsp?id=3817>.

Where a building contains more than one dwelling (such as a block of flats or terrace of houses) the average annual energy demand for water heating may be met by installations of renewable sources and/or heat recovery for the block. This is similar to the buildings with multiple dwellings guidance in Section 6.

Aspect Silver level 4: Water use efficiency

Enhanced or additional products should be provided as follows:

- WCs of average flush volume not more than 4.5 litres
- Wash hand basin taps with a flow rate not more than 6 l/m
- shower heads with a flow rate not more than 8 l/m, and
- 1 water butt (with a min. capacity of 200 litres) for outdoor use per dwelling. Dwellings without a private garden or landscaped area, or if there is no access to rainwater collection (for example if there is no external rainwater pipe within the curtilage) are excluded.

The flow rates referred to align with performance bands in the Bathroom Manufacturers Association's water efficient product labelling scheme (BMA scheme). Reference can be

made to the performance bands within the BMA scheme or equivalent standards. Kitchen or utility room sinks are not included in low flow fitting targets at this level.

Consideration should be given to the flow rates that combi boilers (if fitted) need to activate their water heating function when specifying taps and shower heads with lower flow rates.

When installing low volume flush WCs, the pipe diameter and gradient inter-relationship is critical in order that the new and any existing sections of the drain are self-cleansing.

Aspect Silver level 5: Optimising Performance

- a. **Quick start guide:** Provide guidance to the occupants on the ways in which the specific dwelling is intended to function and how to optimise its performance on the scope, format and contents of the guide for occupants. Supplementary guidance with a performance specification as well as links to an example completed quick start guide is in Annex B.

This is additional to the written information to be provided to occupants under Section 6.

- b. **Resource use display:** Install a real-time resource use monitor that displays electricity use, located in an easily accessible and readable position.

Aspect Silver level 6: Flexibility and Adaptability

Provide a home office space dedicated for home working/study to include:

- A clear space, against a wall or partition, where a desk of 1800mm long x 600mm deep could be placed. Alternatively, the desk space could be 'L' shaped in plan as long as each leg of the 'L' is a minimum length of 1200mm. Diagrams below show the two desk options with associated activity spaces.
- 2 switched electrical sockets in addition to those that should be provided under Section 4.
- A connection to allow direct access to internet services (unless such a provision is made elsewhere in the dwelling).
- For natural daylight there should be line of sight to a window, glazed external door or rooflight.
- Generally ventilation, accessibility, safety and escape should meet all the other standards however, see paragraphs below.

For diagram, see Annex C.

In any dwelling, the home office space can be in a circulation space but should not be located in a protected enclosure. The desk space and/or its activity space can locally reduce a corridor width to 800 mm and should not interfere with door swings.

In any dwelling, the home office space can occupy a room by itself even if this room is too small to be an apartment. In this case, this small room should be ventilated as if it were an apartment.

In any dwelling, the home office space can occupy a part of the enhanced apartment but the desk space and its activity space should be additional to the defined spaces and access of the enhanced apartment, as described in guidance in Section 3.

In any dwelling the home office space can be in a room that includes the kitchen but the desk space and or its activity space should not interfere with kitchen worktops, appliances or manoeuvring spaces.

To allow some more flexibility in smaller dwellings (those of not more than 2 apartments) the home office space can be in any apartment. But in this case, the desk space and its activity space should not overlap with the minimum furniture provision or associated activity spaces.

The height of the home office should be not less than 1.8m over the activity space and 1.5m over the desk space. For dwellings over 150m² floor area, two home office spaces should be provided.

Aspect Silver level 7: Well-being and security

a. **Noise separation:** Design performance levels for separating walls and separating floors associated with attached dwellings should be:

- Minimum airborne sound insulation: 58 dB $D_{nT,w}$
- Maximum impact sound transmission: 54 dB $L'_{nT,w}$

Performance levels for noise isolation for separating walls and separating floors should be verified by carrying out a sound test as indicated in the guidance to Section 5.

b. **Noise reduction between rooms:** Design performance level for a minimum airborne sound insulation should be 44 dB R_w .

This refers to all internal partitions in all dwellings and intermediate floors within houses and maisonettes excluding storage cupboards and should be substantiated by manufacturer's laboratory test certificates.

c. **Enhanced natural lighting:** The enhanced apartment should be provided with a glazed area of not less than 1/8th of the floor area of the apartment.

d. **Security:** Install a 13 amp fused spur, suitable for an intruder alarm system, located within 2m of the main entrance door.

Aspect Silver level 8: Material use and waste

Recycling of solid waste: Provide a dedicated internal space with a volume of at least 0.12m³ (120 litres) and no dimension less than 450mm, for storing recyclable material.

The storage space should:

- be able to store small amounts of recyclable material (e.g. metal, glass, plastic, cardboard and/or paper)
- be easily cleanable
- be additional to the general 1m³ kitchen storage in Section 3, and
- facilitate temporary storage before transfer to a main storage point or a collection point, whether for the dwelling or for a group of dwellings.

It is recognised that local authority provision, resources and preferences for collecting separately or together will vary across Scotland. Therefore subdivision into containers for different materials is optional.

7.1.5 Silver Active level

This is the same as the silver level but, in addition, the dwelling includes the use of a low and zero carbon generating technology (LZCGT) in respect of meeting at least one of the aspects: Silver 1, Silver 2 or Silver 3. This level is primarily to assist local authorities to meet their obligations under Section 72 of the Climate Change (Scotland) Act 2009

by identifying the use of LZCGT. In this respect, LZCGTs include: wind turbines, water turbines, heat pumps (all varieties), solar thermal panels, photovoltaic panels, combined heat and power units (fired by low emission sources), fuel cells, biomass boilers/stoves and biogas.

7.1.6 Gold level

A dwelling at this second optional upper level should meet all the standards in Sections 1 – 6 that apply to the building for the bronze level and in addition the dwelling should comply with the gold level in each of the eight aspects below.

Aspect Gold level 1: Carbon dioxide emissions

Under the guidance to Standard 6.1, the carbon dioxide emissions (Dwelling Emission Rate) is to be 27% lower than the Target Emission Rate set by the 2015 Standards.

To establish this, the TER from SAP 2012 calculation should be multiplied by 0.73, to give a revised figure which the DER should not exceed (this is equivalent to a 42.8% improvement on the 2010 Standards and a 60% improvement on the 2007 Standards).

Where a building contains more than one dwelling (such as a block of flats or terrace of houses) the average carbon dioxide emissions for the proposed block or terrace (DER) may be compared to the average target CO₂ emissions (TER) for the 'notional block or terrace', similar to guidance in Section 6.

Aspect Gold level 2: Energy for space heating

Maximum annual demand for useful energy for space heating should be:

- 30 kWh/m² for houses, or
- 20 kWh/m² for flats or maisonettes

To assess, the output from box no.99 of the SAP 2012 DER worksheet should be no more than the figures above.

Aspect Gold 3: Energy for water heating

a. **Renewables and heat recovery:** At least 50% of the dwelling or domestic building's annual energy demand for water heating should be from:

- heat recovery and/or renewable sources with little or no associated fuel costs (e.g. solar thermal water heating and associated storage or heat recovery from greywater) that are allocated for water heating.

To assess, the annual energy demand for water heating in kWh multiplied by 0.5, should be no more than the contribution from specified equipment that uses renewable energy and/or heat recovery. A SAP spreadsheet is available for this calculation here: <http://www.bre.co.uk/sap2012/page.jsp?id=3817>.

Where a building contains more than one dwelling (such as a block of flats or terrace of houses) the average annual energy demand for water heating may be met by installations of renewable sources and/or heat recovery for the block. This is similar to the buildings with multiple dwellings guidance in Section 6.

b. **Water heating display:** A display showing the performance of the primary renewable source, such as a solar collector, should be mounted in easily accessible space, for instance alongside controls for heating equipment or near the bathroom/shower room door.

Aspect Gold 4: Water use efficiency

Enhanced or additional products should be provided to encourage water efficiency as follows:

- 1 water butt (with a min. capacity of 200 litres) for outdoor use per dwelling. Dwellings without a garden or landscaped area, or if there is no access to rainwater collection (for example if there is no external rainwater pipe within the curtilage) are excluded, and
- 3 of the following 5 items:
 - water meter
 - WCs of average flush volume to be not more than 3.5 litres
 - wash hand basin taps of flow rates not more than 4 l/m and to kitchen or utility room sinks to be not more than 6 l/m
 - shower heads with maximum flow rate not more than 6 l/m
 - rainwater harvesting or greywater recycling system designed to provide water for toilet flushing.

The flow rates referred to align with performance bands in the Bathroom Manufacturers Association's water efficient product labelling scheme (BMA scheme). Reference can be made to the performance bands within the BMA scheme or equivalent standards.

Consideration should be given to the flow rates that combi-boilers (if fitted) need to activate their water heating function when specifying taps and shower heads with lower flow rates.

When installing low volume flush WCs, the pipe diameter and gradient inter-relationship is critical in order that the new and any existing sections of the drain are self-cleansing.

Aspect Gold 5: Optimising Performance

a. **Quick start guide:** Provide as for Aspect Silver 5, plus: Direct 'easy release' adhesive labels on all key heating and ventilation equipment including (where fitted): trickle ventilators, extract fans, mechanical ventilation with heat recovery (MVHR), heating controls (programmers, Thermostatic Radiator Valves (TRVs)). Supplementary guidance on the content of the direct equipment labels is in [Annex B](#).

b. **Resource use display:** Provide as for Aspect Silver 5, plus the real-time resource display indicates gas use (if gas is used for heating), displaying gas use at least at a daily period.

Aspect Gold 6: Flexibility and adaptability

a. **Home office:** Provide as for Aspect Silver 6.

b. **Mobility space:** Provide convenient secure mobility space to accommodate an electric wheelchair(s) and that could also be suitable for pram storage and the storage of a bicycle(s). The size is defined as follows:

- An electric wheelchair (or pram) storage space of: 0.8m x 1.1m on plan, minimum height of 1.8m. For dwellings of 4 apartments or more; or over 150m²; space for two electric wheelchairs and
- A bicycle storage space of: 2m x 0.75m on plan, minimum height of 1.2m. For dwellings of 3 apartments or more; or over 150m²; space for two bicycles: 1m x 1.5m.

A single infant's pram or pushchair should generally be able to use the mobility space as defined by either the cycle or wheelchair footprint. The space does not need to be able

to store a wheelchair at the same time as a pram or bicycle; this diagram shows how the spaces can overlap.

For diagram, see [Annex D](#).

The mobility space should have a socket outlet for recharging. Ideally, it should be adjacent to the accessible entrance. It should not be located in a protected enclosure and it should be outwith the minimum corridor width noted in Section 4, clear of any door way, door swing, stair landing or space identified for a future stairlift installation.

The mobility space in the dwelling would be defined only by the wheelchair size(s) if either of the areas below are present, allowing the bicycle storage provision to be located outwith the dwelling:

- A motor vehicle garage could be adequate as long as bicycle storage is outwith a 4.8m x 2.4m space for parking a single motor vehicle or
- Communal bicycle storage that is secure (locked with resident only key access) and weather protected. This should be sized on the number of apartments in total or overall size of all dwellings served. The communal store should be at ground level or accessible by a ramp.

If separate bicycle storage is allocated (garage or communal store), this does not need an electrical socket outlet. The storage provision for more than one bicycle could be split between a dwelling and a communal store.

c. **General storage provision within a dwelling:** Accessible storage of 1m³ in volume per apartment. The storage space should be capable of being closed off with a door but does not need to be off each apartment.

General storage is in addition to a wardrobe space or built-in wardrobe, or storage that is designated for the future provision of a shower. Both of these are identified in Section 3.

Aspect Gold 7: Well-being and security

a. **Noise separation:** Design performance levels for separating walls and separating floors associated with attached dwellings should be:

- Minimum airborne sound insulation: 60 dB $D_{nT,w}$
- Maximum impact sound transmission: 52 dB $L'_{nT,w}$

Performance levels for noise isolation for separating walls and separating floors should be verified by carrying out a sound test as indicated in the guidance to Section 5.

b. **Noise between rooms:** Design performance level for a minimum airborne sound insulation should be 45 dB R_w .

This refers to all internal partitions in all dwellings and intermediate floors within houses and maisonettes excluding storage cupboards and should be substantiated by manufacturer's laboratory test certificates.

c. **Enhanced natural lighting:** Provide as Aspect Silver 7 plus the average daylight factor (average DF) for kitchens and living room/dining/study should be 1.5% and 2% respectively, using the simplified calculation below.

The DF is a factor, expressed as a percentage, that will rise or fall depending on the relationship of glazed area and room dimensions. Here it is simplified as an average for a particular room. Matters pertaining to overshadowing, neighbouring buildings or orientation are removed from this calculation.

Average DF% = $(52 \times M \times W) / A$

Where:

A = The sum of the area of all room surfaces (ceiling, floor, walls, doors, windows and rooflights), in m².

M = Correction factor for dirt or ease of cleaning, consisting of:

- 1.0 for vertical glazing or
- 0.8 for sloping glazing or
- 0.7 for horizontal glazing.

W = Glazed area of windows or rooflights, taking account of framing, in m². Measure glazed panes or measure window area including frames then multiply by:

- 0.9 for metal frames (patent glazing) or
- 0.8 for metal frames (large pane) or
- 0.7 for timber frames (large pane) or
- 0.6 for timber frames ('Georgian' pane).

Assume the factors for PVC framed windows are equal to timber.

d. **Security:** Provide as Aspect Silver 7 plus:

- provide doorsets and windows which are tested and certified by a notified body as meeting a recognised standard for security or
- install a full intruder alarm system that complies with BS EN 50131 and PD6662 (wired system) or a Class VI alarm to BS 6799 (wire free system) that conforms to Association of Chief Police Officers (ACPO) guidelines.

e. **Outdoor space:** Provide private or communal outdoor space with room for occupants to sit outside. The outdoor space should be accessible only to occupants of designated houses or flats and not be occupied by car or cycle parking space, waste storage area, electricity substations or other ancillary features. It must comprise of at least one of the following:

- a private garden, patio, roof terrace or balcony (with the front open to air, or see Note 1 below) of an area no less than 1.5m²/apartment (minimum 3m²/home) with a minimum short dimension of 1.2m or
- a communal shared garden or courtyard that is:
 - of an area no less than 1.5m²/apartment (minimum 3m²/home) with a minimum short dimension of 2m
 - secure by, for example, resident only key access
 - secluded and fully enclosed with buildings themselves, walls, fencing or planting are all permitted possibilities to define the space.

Generally issues of daylight, ventilation, safety and escape should meet the guidance of all the other mandatory standards. Access to these spaces should follow the guidance of Section 4.

Note 1: In a studio or single bedroom flat (i.e. a flat with 2 apartments or less) then the balcony could be a 'Juliet' type where the size could then be provided by a space immediately inside of an inward opening glazed door or door(s) and has a protective barrier externally. This space should not:

- interfere with the defined space or access of an enhanced apartment
- overlap with minimum furniture provision or associated activity spaces and
- interfere with kitchen worktops, appliances or manoeuvring spaces.

Aspect Gold 8: Material use and waste

a. **Recycling of solid waste:** Provide as for Aspect Silver 8.

b. **Design for de-construction:** By consideration of waste minimisation arising from the built-form, one of the following should be adopted:

- Demonstrate that key principles of demountable construction detailing have been followed. This could be demonstrated by submitted drawings containing reference to guidance such as the Scottish Ecological Design Association's (SEDA) document on: 'Design and Detailing for Deconstruction'. A minimum of three of the high or medium priority items from the example constructions in the detailed section of this document should be demonstrated clearly or
- Provide a detailed plan for deconstruction of the building that follows a template such as that on page 21 of the SEDA document. This option provides opportunities to meet this level in this aspect for prefabricated, modularised or flexible internally partitioned constructions that use techniques that involve off-site manufacturing where the described assembly could be reversed for disassembly or
- An option only where a site is occupied and the warrant application is for demolition and construction. Provide a pre-demolition audit of existing buildings/structures on site. In this option for brownfield developments only, the audit should follow an established methodology such as the ICE Demolition Protocol, referred to by the Waste and Resources Action Programme (WRAP) that:
 - produces a Bill of Quantities of the different materials in the building to be demolished
 - identifies the tonnages of material that can be recovered and
 - determines the percentage of materials recoverable.

7.1.7 Carbon dioxide emissions only at Platinum level

All the standards in Sections 1 - 6 that apply to the building for Bronze level, and in addition the building should comply with the following.

Aspect Platinum 1: Carbon dioxide emissions

Under the guidance to Standard 6.1, carbon dioxide emissions CO₂ Dwelling Emission Rate (DER) is to be 100% lower than the Target Emission Rate (TER) set by the 2010 Standards. To establish this, the DER should not exceed zero. (This net zero carbon equivalent is a 100% improvement on the 2007 Standards).

Where a building contains more than one dwelling (such as a block of flats or terrace of houses) the average carbon dioxide emissions for the proposed block or terrace (DER) may be compared to the average target CO₂ emissions (TER) for the 'notional block or terrace', similar to guidance in Section 6.

Aspect Platinum 2: Energy for space heating

[not currently defined]

Aspect Platinum 3: Energy for water heating

[not currently defined]

Aspect Platinum 4: Water use efficiency

[not currently defined]

Aspect Platinum 5: Optimising Performance

[not currently defined]

Aspect Platinum 6: Flexibility and Adaptability

[not currently defined]

Aspect Platinum 7: Well-being and Security

[not currently defined]

Aspect Platinum 8: Material use and waste

[not currently defined]

Annex 7.A Sample sustainability label

7.A.0 Introduction

Below is a sample sustainability label. In this example the dwelling has achieved the bronze active level of sustainability and in addition has achieved the silver level in the aspects of energy for water heating, optimising performance and material use and waste.

7.A.1 Sample sustainability label

For an example of the sustainability label, see [Annex E](#).

Annex 7.B Supplementary guidance in the aspect of optimising performance

7.B.0 Introduction

The quick start guide (QSG) should be produced in 2-stages:

- at building warrant application submit as much information as possible including the plan, an outline of the construction and building fabric, specified systems or equipment and any other environmental features and
- re-submit at completion after review and updating of specified items as necessary.

A good practice example of the QSG is on the Scottish Government website at www.scotland.gov.uk/bsd

7.B.1 Scope

The QSG should be specific to each individual dwelling. Where there are a number of houses or flats of the same type, it is likely that the information could be repeated for each type, taking care to ensure correct orientation of plans and correct positions of installed items on the plan.

The purpose is not to explain details of how or why a home is designed to work environmentally, but rather what occupiers need to know to make a home work efficiently. It should describe the overall performance of the dwelling as a system itself. The focus should be on maintaining internal comfort in an efficient manner. Do not include unnecessary detail on the operation of the individual elements or systems of technology.

7.B.2 Format

The QSG should be as compact and graphic as possible to aid rapid comprehension, making it more likely to be kept available, used for future reference and be capable of being passed on to future owners or residents.

A variety of formats could be used to convey the information but it should be a free-standing document, separate from other documentation (but including directions to further information). It may be designed to meet a similar graphic standard of other material which is provided at completion. The recommended formats are:

- an A4 guide of maximum 6 pages, preferably 4 or less or
- a booklet with page sizes smaller than A4, possibly with double page spreads such as the booklet in the first good practice example.

Better design and construction of control mechanisms should make systems more intuitive and reduce the need for guidance, therefore please be very concise if appropriate.

7.B.3 Graphics, images and text

The QSG should include plans, locating key items of equipment and information only on the systems installed. The format should revolve around simple illustrations following the principle – ‘show don’t tell’. An illustration can be a hand-drawn sketch, a computer image or a photograph. These can be mixed because consistency in style is less important than content. Illustrations do not need to be to scale, but should show relationships and explain things quickly and easily. These guidelines should be followed:

- Use illustration where possible to focus the occupant on the equipment that users normally come into contact with. For example, the programmer in the heating section should show where it is placed in relation to the boiler
- Link key components (such as heating controls) to a location plan to help the resident to make connections between controls and systems quickly
- Images should be labelled
- Avoid non-essential images (e.g. lifestyle image) which can reduce the authority of the document
- Use graphic formats that preserve the sharpness of lines, such as PDF
- Illustrations should be associated with a legible caption of standard size and colour
- Many people have difficulty understanding plans, so use other images, for example a simple 3D diagram alongside plans to aid comprehension

- Use colour where possible as an easy way to differentiate categories visually. However readers may be colour blind, so use icons, illustrations and high contrast type
- Text size should aim to be at least 11pt but can be of smaller sizes in annotations, labels or text boxes if a typeface designed for text reading at small sizes is used. Make headings as large as possible
- Use clear, colour, photographs (well lit, avoid use of flash if possible) or line illustrations of actual installed equipment
- Use engineer's or manufacturer's drawings as reference in order to comprehend the system but edit these to remove unnecessary items. Do not attempt to replace the manufacturer's manuals, but do refer to them for further information. The main elements or products should be identified with their full names/reference model numbers and links to more information such as manuals or manufacturers websites
- Use plain English avoiding detailed technical descriptions
- Use bullet points where possible
- Avoid jargon and acronyms. If an acronym is necessary define it on first use. In the good practice example MVHR (Mechanical Ventilation Heat Recovery system) is used because the acronym is more likely to lead to success in internet searches for more information.

7.B.4 DOs and DON'Ts

Provide a brief list of up to 5 essential DOs and DON'Ts for occupant interaction with each system (heating, ventilation etc). This should be specific to the heating system installed and ideally, in a colour coded text box, in a consistent position on the page. General guidance is available on the Energy Saving Trust website: <http://www.energysavingtrust.org.uk/>

7.B.5 Sections

Aim to fit a section relating to each of the following categories on the equivalent of a single A4 sheet, or less where possible.

a) Overview

Give a brief description of the basic features of the house, including insulation, building fabric, heating, ventilation, hot water use and any major equipment that make a difference to how the house operates. Avoid large paragraphs. Keep to between 100 to 150 words.

The overview page should include the following sentence: This guide is produced to meet the aspect of 'Optimising Performance' within Section 7: Sustainability of the Building Standards Technical Handbooks.

Locate key parts of the equipment, annotated on a legible plan or other illustration. Plans should be simple and clear, generally 'planning application' standard with walls blacked in, dimensions and unnecessary annotation removed in the CAD program. Showing fittings such as bathrooms and kitchens on layouts can assist. Limitations on alterations due to the construction (e.g. avoid holes in external walls that penetrate the vapour barrier) can be mentioned here. Use 3D plan perspectives, axonometric diagrams, or cutaway models to aid understanding. Items to be shown include:

- Key elements of the construction and materials - roof, walls, windows and doors

- Elements of heating, hot water and ventilation equipment
- Heat element devices
- Control locations
- Meters
- Water stop-cock

If the dwelling has achieved a silver, gold or platinum level, it is permissible to use the associated 'badge' on the overview page of the front cover.

b) Heating

Describe how the home can be heated including aspects of the building fabric and ventilation that are relevant to how the system works. Cover the main principles of use in both warm and cold weather. Simple diagrams illustrating how the building is heated in both winter and summer are useful. Avoid engineering heating system schematics as many people find these hard to understand.

Describe in around 50-100 words the main heating source in the home, including the principles of operation and fuel source if relevant. Supplementary heating sources should be mentioned, where included. Provide a brief description of how heat reaches rooms e.g. radiators, underfloor heating, air grilles, with illustrations provided as required.

Briefly describe how heating is controlled. Illustrations and locations are required for all the main controls. Identify the reaction to heating controls (for example there may be a time lag before a heating system operates at optimum capacity) and outline the normal range if this is not obvious.

c) Ventilation

Describe in around 50-100 words how the home is ventilated and the main principles for its use, in both warm and cold weather. Simple diagrams illustrating how the building is ventilated in winter and summer are useful.

Briefly describe how the ventilation is controlled with illustrations and locations required for all the main controls. This should include both natural and mechanical systems. Identify the elements that users have the most interaction with, so in natural ventilation, it may be trickle vents and opening of windows together with a reference to cross ventilation. For mechanical ventilation it may be the boost switch and location of filters.

d) Hot Water

Provide up to 50-100 words on how water is heated in the homes, including primary and secondary systems (for example a boiler working with solar hot water panels). Consider a simple diagram illustrating how the system works if it has a number of components or options.

Briefly describe how hot water generation is controlled. Illustrate the controls, identify the reaction to hot water controls (for example there may be a time lag before a hot water system operates at optimum capacity) and outline the normal range if this is not obvious.

e) Other Energy Saving Features (if installed)

Cover any other energy saving feature installed as part of the fabric of the home or included in the SAP calculation. Include instructions for items not covered elsewhere. Each item should have a brief (around 50 words).

description of other energy saving features. Identify for each item:

- Name or description
- Location
- How to control it and where the controls are located
- Manufacturer and model number
- Location of further information such as a manual or specific website address

f) How to maintain systems

A 'how to keep your home running efficiently' section should provide an easy to understand list of maintenance required for systems outlined in the guide. It must only include items that residents should be undertaking without tools or specialist knowledge. In particular consider including the following information:

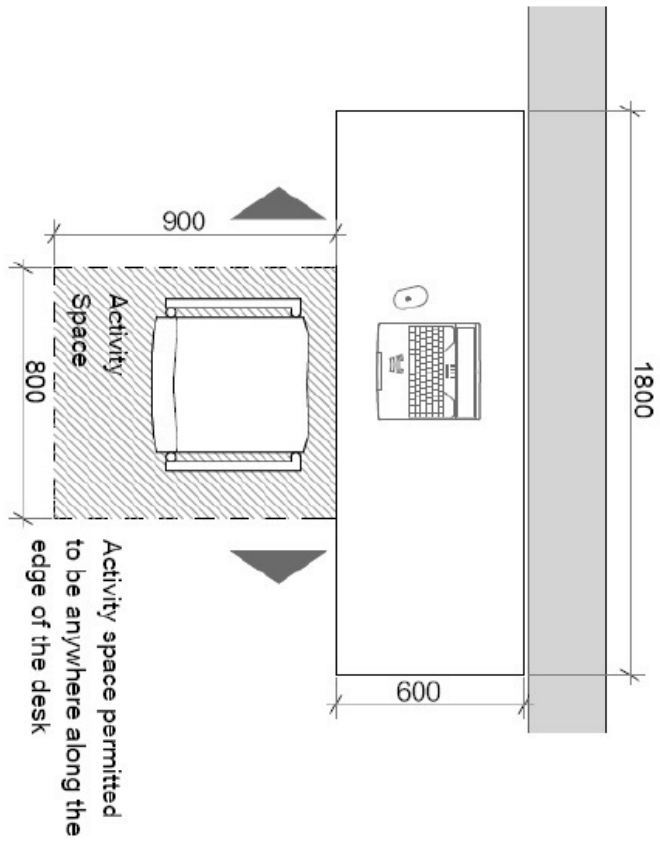
- List of equipment names/serial numbers
- Links to further detailed information
- Manufacturers websites
- Recommended servicing organisations

7.B.6 Labels (applicable to Gold level only)

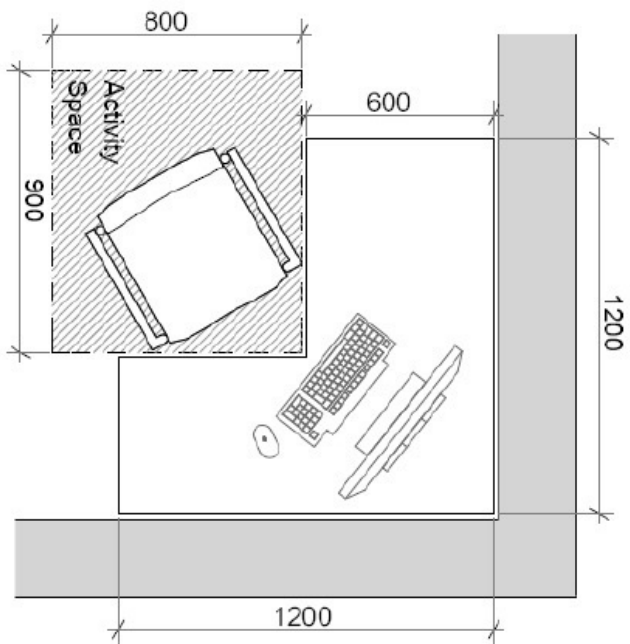
Provide labels fixed to all components of heating, ventilation and hot water, including controls. Use a consistent naming convention and colour coding. These labels should be colour coded to match the booklet colour scheme and text size about 11pt. Avoid small font sizes. The labels should indicate 'standard' setting for items or equipment.

Annex 7.C Desk Space

Desk Space - Option 1

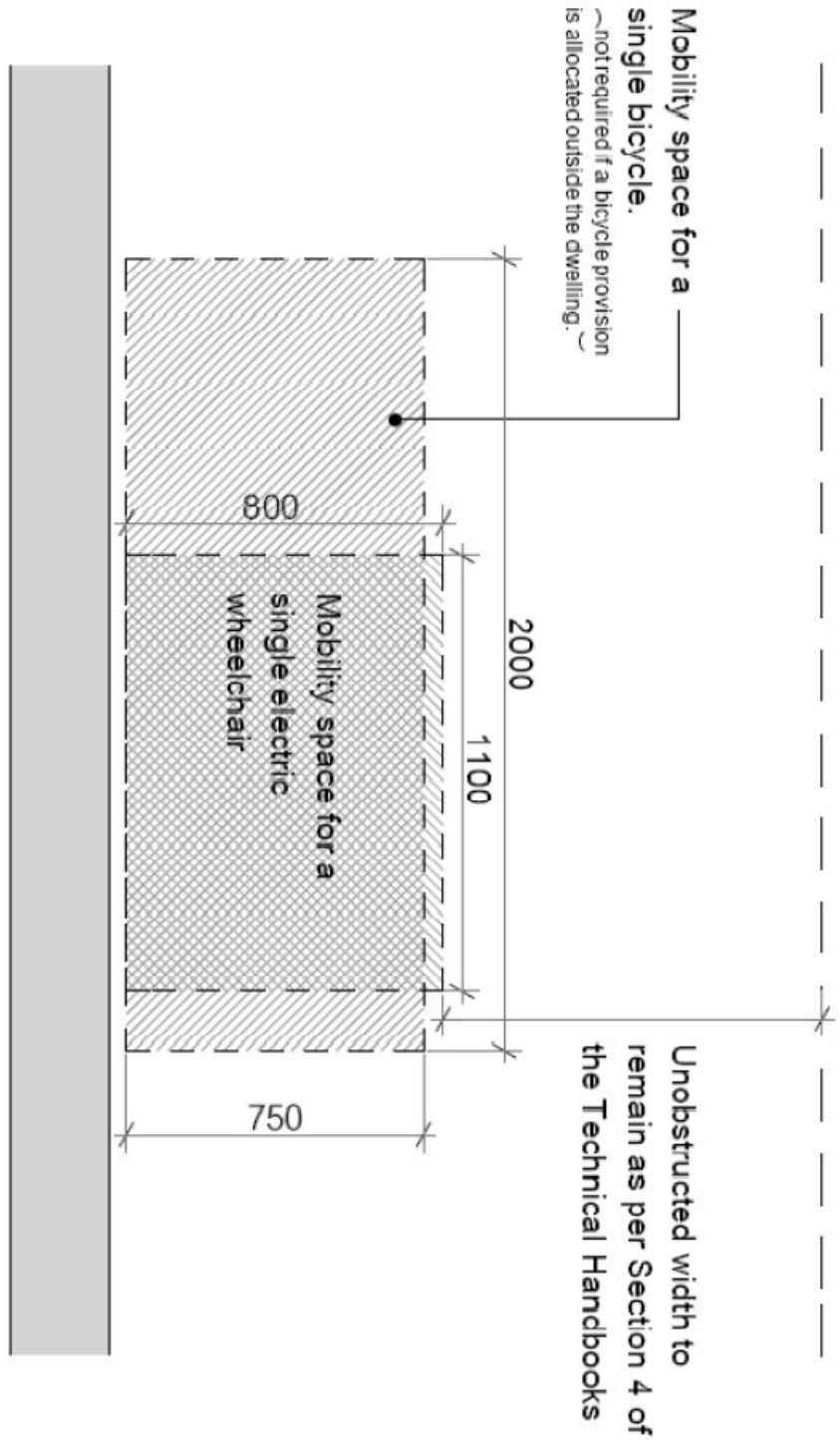


Desk Space - Option 2



Annex 7.D Mobility Space

ANNEX D



Annex 7.E Sustainability Label

Building Standards

Sustainability

At completion, the building achieved the specified level of sustainability in the aspects below:



SAMPLE

- Platinum
- Gold: Not Achieved
- Silver: Partly Achieved
- Bronze Active:** Achieved by use of the following technology:
Heat Pump
- Bronze:** Sections 1-6, 2010 Standards

Building / Development:

64 Greenstreet,
Bigtown
XX9 9XX

Building Warrant Reference:

621621844KKY

Date:

10.10.2011

Building Standards Division's Technical Handbooks

Contain detailed guidance on the measures to achieve the levels within each aspect of sustainability. See Building Standards pages on www.scotland.gov.uk

This statement of sustainability for a new building must be fixed within the building in accordance with standard 7.1.



Appendix A Defined Terms

Definitions and explanation of terms used in this document.

The following is a list of terms used in the Technical Handbooks that have a specific meaning.

Access deck means a structure having a surface in the open air suitable for ingress and egress of persons to a *building*.

Access point means a physical point, located inside or outside the *building*, accessible to undertakings providing or authorised to provide public communications networks, where connection to the high-speed ready in-building physical infrastructure is made available.

"the Act" means the Building (Scotland) Act 2003.

Agriculture the same meaning as in the Agriculture (Scotland) Act 1948 and "agricultural" shall be construed accordingly.

Alternative exit means an exit from a dwelling which is through a door other than its main entrance door and is available for use at all times.

Apartment means a rooms in a dwelling not used solely as a kitchen, store or utility room.

Appliance compartment means a space constructed or adapted specifically for the housing of a combustion appliance.

Assembly building means any place of assembly, other than an entertainment building, including swimming pool buildings, churches and other places of worship, crematoria, dancing schools, educational establishments, gymnasia, law courts, libraries open to the public, day centres, clinics, health centres and surgeries, passenger stations and termini for air, rail road, or sea travel, public toilets, riding schools, ice rinks, sports pavilions, sports stadia, zoos and menageries, museums and art galleries.

Average flush means the calculated average volume of water discharge by a dual flush cistern based on a ratio of 3 reduced flushes to 1 full flush.

Basement storey means a storey which is below the level of the ground storey.

Boundary means a boundary between land on which the building is situated and land in different occupation, so however that:

- a. in relation to any road, whether public or private, public access way or public right of way, river, stream, canal, loch, pond, common land or a public open space it should be taken to mean the centre line thereof; and
- b. the sea and its foreshore should not be regarded as land in different occupation.

Building means any structure or erection, whether temporary or permanent, other than a structure or erection consisting of, or ancillary to:

- a. any public road (including any bridge on which the road is carried),
- b. any private road,
- c. any sewer or water main which is, or is to be, vested in Scottish Water,

- d. any aerodrome runway,
- e. any railway line,
- f. any large raised reservoir within the meaning of the Reservoirs Act 1975 (c23),
- g. any wires and cables, their supports above ground and other apparatus used for telephonic or telegraphic communication.

Any references to a building include references to a prospective building. Any references to a building, structure or erection include references to a part of the building, structure or erection. In relation to the extension, alteration or conversion of a building, references to a building are to so much of the building as is comprised in the extension or the subject of the alteration or conversion.

Building site means any area of land on which work is, or is to be, carried out.

Building unit in Standard 4.14, means a part of a building which is designed or altered to be used separately.

Carport means a roofed building for vehicle storage which is open on at least two sides except for roof supports.

Cavity barrier means any construction provided to seal a cavity against the penetration of fire and smoke, or to restrict its movement within the cavity.

Chimney means a structure enclosing 1 or more flues, but not a flue pipe, and including any openings for the accommodation of a combustion appliance, but does not include a chimney terminal.

Chimney-stack means that part of a chimney which rises above the roof of the building of which it forms part and includes any cope but not a chimney-can.

Compartment means a part of a building (which may contain one or more rooms, spaces or storey and includes, where relevant, the space above the top storey of the compartment) constructed so as to prevent the spread of fire to or from another part of the same building; and compartmented and compartmentation should be construed accordingly.

Compartment floor means a floor with the fire resistance required to ensure compartmentation.

Compartment wall means a wall with the fire resistance required to ensure compartmentation.

Conservatory means a building attached to a dwelling with a door and any other building elements dividing it thermally from that dwelling and having translucent glazing (including frames) forming not less than either:

- a. 75% of its roof area and 50% of its external wall area or
- b. 95% of its roof area and 35% of its external wall area.

Note – the definition of ‘conservatory’ was amended on 1 May 2007.

Construction Products Regulation means the instruction of the European Commission to Member States, numbered 305/2011, to regulate so as to remove technical barriers to trade in construction products within the European Economic Area.

Construct includes alter, erect and extend, and “construction” and related expressions are to be construed accordingly.

Convert in relation to a building, means to make such change in the occupation or use of the building as specified in schedule 2 to regulation 4, and “conversion” and related expressions are to be construed accordingly.

Covered area means a roofed building which is open on at least two sides except for roof supports.

Curtilage means land area within the same occupation.

Decorative fuel-effect gas appliance means an open-flued appliance designed to simulate a solid fuel open fire primarily for decorative purposes and intended to be installed so that the products of combustion pass unrestricted from the firebed to the flue.

Different occupation in relation to two adjoining buildings or parts of one building, means occupation of those buildings by different persons.

Disabled people means persons with a physical, hearing or sight impairment which affects their mobility or their use of buildings.

Domestic building means a dwelling or dwellings and any common areas associated with the dwelling.

Duct means the structure, trunking, or casing, with any apertures, enclosing a passage, other than a flue, used solely for conveying air, gases, or refuse.

Dwelling means a unit of residential accommodation occupied (whether or not as a sole or main residence):

- a. by an individual or by individuals living together as a family; or
- b. by not more than six individuals living together as a single household (including a household where care is provided for residents)

and includes any surgeries, consulting rooms, offices or other accommodation, of a floor area not exceeding in the aggregate 50 square metres, forming part of a dwelling and used by an occupant of the dwelling in a professional or business capacity.

Element of structure means a part of a building which is part of the structural frame (beams and columns), loadbearing (other than a part which is only self-loadbearing), a floor, or supports a floor.

Emergency door means a door which may be a fire door and which is intended to be used only during an emergency.

Entertainment building means a place of entertainment or recreation other than sports stadia, including bingo halls, broadcasting, recording and film studios open to the public, casinos, dance halls, entertainment, conference, exhibition and leisure centres (except where consisting predominately of a swimming pool), funfairs and amusement arcades, licensed betting offices, clubs, public houses, restaurants, cafes, snack bars, theatres, cinemas and concert halls.

Escape route means a route by which a person may reach a place of safety, and in relation to:

- a. a storey, a space or an access deck, means a route from an exit from that storey, space or access deck
- b. a room, means a route from an exit of that rooms
- c. an inner room, other than an inner room in a dwelling, means a route from an exit of the room which provides access to the inner room

- d. a flat or maisonette, means a route from the main entrance door of that flat or maisonette
- e. a gallery, catwalk or openwork floor, means a route from any doorway of, or from the head of any unenclosed escape stair from, that gallery, catwalk or openwork floor
- f. a place of special fire risk, means a route from an exit of that room or from an exit of the protected lobby serving that room, or from an exit of the room or lobby separating the place of special fire risk from any other accommodation, as the case may be.

Escape stair means a stair or ramp forming part of an escape route.

Exit means a point of egress from a room, storey, protected zone, space, gallery, catwalk or openwork floor which forms part of, or gives access to, an escape route or place of safety.

External wall includes a part of a roof pitched at an angle of 70° or more to the horizontal.

Factory (Class 1) is any factory involved in manufacturing, processing, repairing, cleaning, washing, breaking up or otherwise treating any substance comprising or used in association with: adhesives, asphalt and bituminous products, chemical and allied industries, cleaners and solvents, clothing and footwear (excluding laundering), coal and petroleum products, cork products, dry cleaning, dye-stuffs and pigments, fertilisers, grains and cereals, inks, insulated wires and cables, leather, sheepskin and fur, linoleum, magnetic tape, oils and greases, paints, paper, printing and publishing (excluding paper manufacturing), pharmaceutical products, photographic materials and products, plastics, polishes, rubber and synthetic rubber, soaps and detergents, spirit distilling, surgical bandages and plasters, synthetic resins, textiles, timber, joinery, furniture, brushes and brooms, toilet preparations, upholstery, weedkillers and pesticides.

Factory (Class 2) is any factory other than a factory (Class 1), including buildings used for generating or supplying power or slaughtering livestock.

Fire door means a door which, together with its frame and furniture as installed in a building, is intended, when closed, to resist the passage of fire and, where prescribed, smoke and is capable of meeting specified performance criteria in section 2.

Fire-stop means a seal provided to close an imperfection of fit or design tolerance between elements, components or construction so as to restrict the passage of fire and smoke through that imperfection. Fire-stopping and fire-stopped should be construed accordingly.

Flat means a dwelling on one storey, forming part of a building from some other part of which it is divided horizontally, and includes a dwelling of which the main entrance door and associated hall are on a different storey from the remainder of the dwelling.

Flat roof means a roof the slope of which does not exceed 10° from the horizontal.

Flight means part of a stair or ramp uninterrupted by a landing.

Flue means passage for conveying the products of combustion to the outside atmosphere.

Flue-block means factory-made chimney components with 1 or more flues.

Flue-pipe (correctly termed 'connecting flue-pipe') means a pipe that connects a combustion appliance to a flue in a chimney.

Foundation means that part of the structure in direct contact with, and transmitting loads to, the ground.

Gallery means a raised floor or platform, including a raised storage floor, which is open to the room or space into which it projects and which:

- a. has every part of its upper surface not less than 1.8 metres above the surface of the main floor of the said room or space and
- b. occupies (or, in the case of there being more than one gallery, together occupy), not more than one-half of the floor area of the said room or space.

Glazing means any permanently secured sheet of glass or plastics, and **glazed** should be construed accordingly.

Greenhouse except in the expression agricultural greenhouse, means a building ancillary to a dwelling used mainly for growing plants which is either:

- a. detached from the dwelling or
- b. attached to, but not entered from, the dwelling.

Greywater means wastewater not containing faecal matter or urine.

Ground storey means the storey of a building in which there is situated an entrance to the building from the level of the adjoining ground or, if there is more than one such storey, the lower or lowest of these.

Highly combustible metal composite material means any panel or sheet, having a thickness of no more than 10mm, which consists of a number of layers, two or more of which are made of metal, alloy, or metal compound and one or more substantial layer of which is made of material having a gross calorific value of more than 35 MJ/kg when tested in accordance with BS EN ISO 1716:2018 entitled "Reaction to fire tests for products – Determination of the gross heat of combustion (calorific value)" published by the British Standards Institution.

High rise domestic buildings means a domestic building with any storey at a height of more than 18 metres above the ground.

High-speed electronic communications network means an electronic communications network which is capable of delivering broadband access services at speeds of at least 30 Mbps.

High-speed ready in-building physical infrastructure means in-building physical infrastructure intended to host elements, or enable delivery, of high-speed electronic communications networks.

Hospital means a healthcare premises with bed – patient facilities.

Hospital street means a protected zone in a hospital provided to assist in facilitating circulation and horizontal evacuation, and to provide a fire-fighting bridgehead.

House means a dwelling on one or more storeys, either detached or forming part of a building from all other parts of which it is divided only vertically.

Imposed load means the load assumed to be produced by the intended occupancy or use, including the weight of moveable partitions; distributed, concentrated, impact, inertia and snow loads, but excluding wind loads.

In-building physical infrastructure means physical infrastructure or installations at the end-user's location, including elements under joint ownership, intended to host wired or wireless access networks, where such access networks are capable of delivering electronic communications services and connecting the building access point with the network termination point.

Inner room means a room, other than a kitchen in a dwelling, which does not have a direct access to an exit, or direct access to an enclosed circulation area having an exit.

Insulation envelope means the building elements which encapsulate the building or parts of the building which use fuel or power for heating or cooling the internal environment and will comprise all or some of the following:

- a. elements exposed directly to the outside air
- b. elements directly in contact with the ground
- c. floors directly in contact with a solum space
- d. elements that are buffered by an enclosed area
- e. separating elements where the thermal transmittance should be ignored.

Note – the definition of ‘insulation envelope’ was amended on 1 May 2007.

Kitchen means any room or part of a room used primarily for the preparation or cooking of food.

Land in different occupation in relation to a building, means land occupied, or to be occupied, by a person other than the occupier of the land on which the building is, or is to be, situated.

Limited life building means a building intended to have a life of the period specified in regulation 6.

Maisonette means a dwelling on more than one storey, forming part of a building from some other part of which it is divided horizontally.

Major renovation works means works at the end user's location encompassing structural modifications of the entire in-building physical infrastructure, or of a significant part of it.

Net input rating of an appliance means the total energy input rate determined when the water produced by the combustion of the fuel is assumed to remain as a vapour.

Network termination point means a physical point located inside or outside the building at which an occupier is provided with access to high-speed electronic communications networks.

Non-combustible means that a material does not ignite or burn when subject to fire or heat.

Notified body means a body (organisation), whose name is notified by individual countries or Member States, to the European Commission, that are designated to carry out conformity assessment (on harmonised technical specifications) according to a directive or regulation. The notification of a Notified Body and their withdrawal is the responsibility of the notifying Member State.

Occupier in relation to a dwelling, means a person inhabiting the dwelling.

Office means a building or premises used for office, administrative or clerical purposes (including writing, book-keeping, sorting papers, filing, typing, duplicating, machine calculating, police and fire service work, drawing and editorial preparation of work for publication), financial transactions (including banking and building society work) and communications (including postal, telegraph and radio, television, film, audio or video recording or performance (not open to the public), communication or control).

Open-flued appliance means one that draws its air for combustion from the room or internal space within which it is installed and uses a flue system to discharge its products of combustion to the outside air.

Open sided car park means open sided car parks and parking garages, designed to admit or accommodate only passenger or light goods vehicles not exceeding 2500 kilograms gross mass. For the purposes of this description “open-sided” means naturally ventilated to provide an adequate supply of air in accordance with section 3.

Permanent ventilator means a ventilator which provides continuous ventilation.

Place of safety means either:

- a. an unenclosed space in the open air at ground level or
- b. an enclosed space in the open air at ground level leading to an unenclosed space, via an access not narrower than the total width of the exits leading from the building to that enclosed space.

Place of special fire risk means any place within, or attached to, or on the roof of, a building in which there are installed one or more:

- a. solid fuel appliances, with a total installed output rating more than 50 kW, other than kitchen appliances or
- b. oil or gas fired appliances, with a total installed net input rating more than 70 kW, other than kitchen appliances and forced air convection or radiant heaters in buildings which are neither residential nor domestic or
- c. fixed internal combustion engines, including gas turbine engines, with a total output rating more than 45 kW or
- d. oil-immersed electricity transformers or switch gear apparatus with an oil capacity more than 250 litres and operating at a supply voltage more than 1000 volts or
- e. fuel oil storage tanks having a capacity of more than 90 litres or
- f. paint spray booths or rooms where cellulose or other flammable liquid spray is used.

Porch means a building attached to and providing a covered entrance to a dwelling.

Private road means a road not maintainable by the Scottish Ministers or a local roads authority (whether or not comprising a public right of way).

Private stair or ramp means a stair or ramp wholly within a dwelling.

Protected door means a fire door giving access to:

- a. a protected zone, including a protected lobby or
- b. a fire-fighting shaft or
- c. another compartment or
- d. a place of safety or
- e. an unenclosed external escape stair or
- f. an open access balcony or
- g. an escape route across a flat roof or access deck.

Protected enclosure in a dwelling means a circulation area constructed to resist fire in adjoining accommodation. It includes a hall, landing or private stair or ramp but not a room.

Protected lobby means a lobby within a protected zone but separated from the remainder of the protected zone so as to resist the movement of smoke from the adjoining accommodation to the remainder of the protected zone.

Protected zone means that part of an escape route which is within a building, but not within a room, and to which access is only by way of a protected door and from which there is an exit directly to a place of safety.

Public open space includes land used as a public park or for public recreation or as a burial ground.

Public road means a road maintainable by the Scottish Ministers or a local roads authority.

Reasonably practicable in relation to the carrying out of any work, means reasonably practicable having regard to all the circumstances including the expense involved in carrying out the work.

Relevant building means a building having a storey, or creating a storey (not including roof-top plant areas or any storey consisting exclusively of plant rooms) at a height of 11 metres or more above the ground and which contains a:

- a. dwelling
- b. building used as a place of assembly, or as a place of entertainment or recreation
- c. hospital
- d. residential care building or sheltered housing complex
- e. shared multi-occupancy residential building.

Residential building means a building, other than a domestic building, having sleeping accommodation.

Residential care building means a building used, or to be used, for the provision of:

- a. a care home service or
- b. a school care accommodation service

and for these purposes the expressions mentioned in sub-paragraphs a) and b) above have the same meaning as in the Regulation of Care (Scotland) Act 2001.

Road has the same meaning as in the Roads (Scotland) Act 1984 (c54) except that it also includes any drain or ditch at the side of a road.

Roof space means any space in a building between a part of the roof and the ceiling below.

Room means any enclosed part of a storey intended for human occupation or, where no part of any such storey is so enclosed, the whole of that storey, but excepting in either case any part used solely as a bathroom, shower room, washroom, toilet, stair or circulation area.

Room-sealed appliance means a combustion appliance which, when in operation, has its combustion chamber, air inlet and its flue outlet ways isolated from the room or space in which it is installed.

Sanitary accommodation includes bathrooms, shower rooms, washrooms and toilets.

Sanitary facility includes washbasin, sink, bath, shower, urinal, or watercloset, and in dwellings only, includes a waterless closet.

Self-closing fire door means a fire door, fitted to close automatically from any angle of swing.

Separating floor and **separating wall** mean respectively a floor or wall constructed to prevent the spread of fire between buildings or parts of a building in accordance with section 2.

Service opening means any opening to accommodate a duct, pipe, conduit or cable (including fibre optics or similar tubing).

Shared residential accommodation means a unit of residential accommodation, other than a dwelling, having an occupancy capacity not exceeding 10, entered from the open air at ground level and having no storey at a height exceeding 7.5m.

Shared multi-occupancy residential building means a residential building occupied as a sole or main residence by more than six individuals where those occupying the building, or part of the building, share the use of sanitary facilities or facilities for the preparation of cooked food with other persons occupying the building, or part building.

Sheltered housing complex means:

- a. two or more dwellings in the same building or
- b. two or more dwellings on adjacent sites

where those dwellings are, in each case, designed and constructed for the purpose of providing residential accommodation for people who receive, or who are to receive, a support service; and, for these purposes, "support service" has the same meaning as in the Regulation of Care (Scotland) Act 2001.

Shop means a building or premises used for retail or wholesale trade or business, including sales by auction, self-selection and over the counter wholesale trading, hairdressing and beauty or body care and premises to which members of the public are invited to resort for the purposes of delivering or uplifting goods in connection with cleaning, repair, hire or other treatment or (except in the case of the repair of motor vehicles) of themselves carrying out such cleaning, repair or other treatment.

Site in relation to a building, means the area of ground covered or to be covered by the building, including its foundations.

Smoke alarm means a device powered by mains electricity, with a secondary power source, containing within one housing all the components necessary for detecting fire and thereupon giving an audible alarm.

Social housing dwelling means a dwelling occupied by virtue of a Scottish secure tenancy within the meaning of section 11 of the housing (Scotland) Act 2001.

Specified attachment means:

- a. a balcony
- b. solar shading
- c. a solar panel

attached to an external wall.

Stand-alone building means a building, other than a dwelling, but includes an ancillary building or a part of a building, that is either:

- a. detached or
- b. thermally divided from the remainder of the main building and incorporates shut-down control of any heating or cooling system which is linked to any main system, and includes a conservatory.

Note – the definition of 'stand-alone building' was added on 1 May 2007.

"Statement of sustainability" means a statement issued for the purposes of compliance with regulation 9 and section 7.1(c) of Schedule 5.

Storage building (Class 1) is any storage building containing hazardous goods or materials, and any storage of vehicles containing hazardous goods or materials, including: any compressed, liquefied or dissolved gas, any substance which becomes dangerous by interaction with either air or water, any liquid substance with a flash point below 65° Celsius including whisky or other spirituous liquor, any corrosive substance, any substance capable of emitting poisonous fumes, any oxidising agent, any substance liable to spontaneous combustion, any substance that changes or decomposes readily giving out heat when doing so, any combustible solid substance with a flash point less than 120° Celsius, any substance likely to spread fire by flowing from one part of a building to another.

Storage building (Class 2) is any storage building other than a storage building (Class 1), including car parks, parking garages designed to admit or accommodate only passenger or other light goods vehicles not more than 2500 kilograms gross mass, other than open sided car parks.

Storey means that part of a building which is situated between the top of any floor being the lowest floor level within the storey and the top of the floor next above it being the highest floor level within the storey or, if there is no floor above it, between the top of the floor and the ceiling above it or, if there is no ceiling above it, the internal surface of the roof; and for this purpose a gallery or catwalk, or an openwork floor or storage racking, shall be considered to be part of the storey in which it is situated.

Sub-compartment means a part of a building (which may contain one or more rooms, and includes, where relevant, the space above the top storey of the sub-compartment) constructed so as to aid horizontal evacuation.

Sub-compartment wall means a wall with the fire resistance required to create a sub-compartment.

Substantial layer in relation to highly combustible metal composite material, means a layer which is at least 1mm thick or has a mass per unit area of at least 1 kg per m².

Surface water means the run-off of rainwater from roofs and any paved ground surface within the curtilage of a building.

System chimney (factory-made chimney) means a chimney that is installed using a combination of compatible chimney components, obtained or specified from one manufacturing source with product responsibility for the whole chimney.

Toilet means an enclosed part of a storey which contains a watercloset, a waterless closet or a urinal, which are properly installed for use.

Traditional building means a building or part of a building of a type constructed before or around 1919:

- a. using construction techniques that were commonly in use before 1919 and
- b. with permeable components, in a way that promotes the dissipation of moisture from the building fabric.

Trickle ventilator means a closeable small ventilator which can provide minimum ventilation.

Unprotected zone means that part of an escape route, which is separated by walls, glazed screens or any other permanent form of demarcation from any space intended for human occupation, including a protected zone.

Upper storey means any storey which is above the level of the ground storey.

U-value (or thermal transmittance co-efficient) is a measure of how much heat will pass through one square metre of a structure when the temperatures on either side of the structure differ by 1 degree Celsius (expressed in W/m^2K).

Ventilator means a window, rooflight, grille or similar building component (and in the case of a dwelling includes a door) capable of being opened to provide ventilation.

Wastewater means water that is contaminated by use and normally discharged from a watercloset, shower, bath, bidet, washbasin, sink, washing machine, floor gully and similar facility and also includes rainwater when discharging in a wastewater drainage system.

Wind load means the load due to the effects of wind pressure or suction.

Work in relation to a building includes work carried out in relation to the enclosure and preparation of the site of the building.

Appendix B list of standards and other publications

The Construction Products Regulation

The Construction Products Regulation (CPR), in force in the UK on 1 July 2013 permits the use of a wide range of standards and specifications recognised throughout the European Economic Area (EEA) (see Note 1).

Standards of safety, suitability and fitness measured against factors common throughout Europe are intended to avoid unnecessary barriers to trade. The European Standards body (CEN), see clause 0.8.2 produce harmonised European Standards (EN) to replace the variety of standards used throughout Member States (see Note 2). These ENs have been or will be published in the UK by the British Standards Institution (BSI) as a BS EN. Once a BS EN is published, the old BS will co-exist for a transitional period (normally 1 year) with the corresponding BS. Until the BS EN comes into force both BS and BS EN may be referenced. At the end of the transitional period the BS is withdrawn and the BS EN must be adopted.

The complex processes involved in the production of European Standards can create lengthy development times. European Standards in draft form are termed prEN and are released into the public domain when they are issued for consultation. It has been found necessary, occasionally, to reference prEN in the Technical Handbooks where no other suitable document yet exists.

Any reference in the Technical Handbooks to a British Standard (BS), British Standard Code of Practice (CP), European Standard (BS EN or prEN) or International Standard (BS EN ISO) is to a standard published by BSI. Where a revision or a newer standard has since been produced, this newer version may be used as an alternative, unless otherwise stated in the handbooks. Any reference in the handbooks to a particular requirement or recommendation of such a standard should be taken, unless the context otherwise requires, as including reference to any relevant commentary and defined terminology contained in that standard. Attention is also drawn to the status accorded to standards and specifications recognised elsewhere in the EEA which provide an equivalent standard – see the guidance to Regulation 8, Materials, durability and workmanship. Compliance with the standards contained in publications in this category represent compliance with the appropriate standards referred to elsewhere in the handbooks and is acceptable until a relevant harmonised standard is introduced.

Harmonised test methods have been agreed collectively by Member States and CEN on the basis of the implications of health and safety of the product and on the particular nature and production process for the product itself. Certification, inspection and testing of construction products is carried out by notified bodies who have been appointed for the purpose by a Member State and whose name has been notified to the European Commission. The British Board of Agrément (BBA) is a notified body for certain products. Any reference in the handbooks to a certificate issued by a notified body or to a BBA Certificate should be construed as reference to the current certificate.

Any reference in the handbooks to a publication should be construed as a reference to that publication as detailed in Column 1 of the list of publications given in this Appendix, subject to such amendments, supplements or addenda as are detailed in the list.

Where a publication referred to in the handbooks itself refers to another publication, the reference to such other publication should be considered to be a reference to the latest edition including any amendments, supplements or addenda.

Where the standards listed in this Appendix have been amended or replaced since the publication of the handbooks, it is no longer necessary to await the publication of updated guidance. The verifier can accept a design to the new standard if it considers the relevant expanded functional standard is met.

Note 1. The European Economic Area Agreement is given effect in the UK by the European Economic Area Act 1993 and entered into force on 1 January 1994.

Note 2. A Member State is a state which is a member of the European Union or the European Free Trade Association and is a contracting party to the European Economic Area Agreement.

British Standards

Table Appendix B.1 BRITISH STANDARDS

Number	Title	Amended	Section
PAS 24: 2007	Enhanced Security Performance Requirements for Door Assemblies – Single and double leaf, hinged external door assemblies to dwellings		4
41: 1973 (1988)	Specification for cast iron spigot and socket flue or smoke pipes and fittings	-	3
BS 476: Part 3: 2004	Fire tests on building materials and structures - External fire exposure roof tests	-	2
BS 476: Part 20: 1987	Fire tests on building materials and structures - Method for determination of the fire resistance of elements of construction (general principles)	AMD 6487	2
BS 476: Part 21: 1987	Fire tests on building materials and structures - Methods for determination of the fire resistance of loadbearing elements of construction	-	2
BS 476: Part 22: 1987	Fire tests on building materials and structures - Methods for determination of the fire resistance of non-loadbearing elements of construction	-	2
BS 476: Part 23: 1987	Fire tests on building materials and structures - Methods for determination of the contribution of components to the fire resistance of a structure	-	2
BS 476: Part 24: 1987	Fire tests on building materials and structures - Method for determination of the fire resistance of ventilation ducts	-	2
BS 476: Part 31: 1983	Fire tests on building materials and structures - Methods for measuring smoke penetration through doorsets and shutter assemblies – method of measurement under ambient temperature conditions (Section 31.1)	AMD 8366	2
BS 585: Part 1: 1989	Wood stairs - Specification for stairs with closed risers for domestic use, including straight and winder flights and quarter or half landings	AMD 6510	4
BS 644: 2012	Timber windows and doorsets - Fully finished factory-assembled windows and doorsets of various types - Specification	-	4
BS 648: 1964	Schedule of weights of building materials	-	2
BS 750: 2006	Specification for underground fire hydrants and surface box frames and covers	-	2

Technical Handbook - Domestic - Appendix
B list of standards and other publications

Number	Title	Amended	Section
BS 1377: Part 2: 1990	Methods of test for soils for civil engineering purposes - - Classification tests	-	3
BS 1449: SEC 1-1: 1991	Steel plate, sheet and strip - Carbon, carbon- manganese plate, sheet and strip, Sect 1.1, General specification	-	3
BS 1566: Part 1: 2002	Copper indirect cylinders for domestic purposes - Open vented copper cylinders – Requirements and test methods	-	6
BS 1566: Part 2: 1984 (1990)	Copper indirect cylinders for domestic purposes - Specification for single feed indirect cylinders	AMD 5791 AMD 6601	6
BS 2782: 2004	Methods of testing plastics. Rate of burning (laboratory method) (Method 508A)	-	2
BS 2869: 2006	Specification for fuel oils for agricultural, domestic and Industrial engines and boilers	-	3
BS 3198: 1981	Specification for copper hot water storage combination units for domestic purposes	AMD 4372 AMD 6599	6
BS 3251: 1976	Indicator plates for fire hydrants and emergency water supplies	-	2
BS 3955: 1986	Specification for electrical controls for household and similar general purposes	-	4
BS 4076: 1989	Specification for steel chimneys	-	1
BS 4211: 2005	Specification for permanently fixed ladders	-	4
BS 4514: 2001	Specification for unplasticised PVC soil and ventilating pipes, fittings and accessories	AMD 4517 AMD 5584	2
BS 4604: Part 1: 1970	Use of high strength friction bolts in structural steelwork. Metric series. General grade	-	1
BS 4604: Part 2: 1970	Use of high strength friction bolts in structural steelwork. Metric series. Higher grade	-	1
BS 4873: 2009	Aluminium alloy windows and doorsets - Specification	-	4
BS 4987: Part 1: 2005	Coated macadam for roads and other paved areas - Specification for constituent materials and for mixtures	AMD 8122 AMD 8400	4
BS 4987: Part 2: 2003	Coated macadam for roads and other paved areas - Specification for transport, laying and compaction	AMD 8158 AMD 8361	4
BS 5041: Part 4: 1975 (1987)	Fire hydrant systems equipment - Specification for boxes for landing valves for dry risers	AMD 5503	2
BS 5228: Part 1: 1984 (1997)	Noise and vibration control on construction and open sites - Code of practice for basic information and procedures for noise and vibration control	-	5
BS 5250: 2002	Code of practice for control of condensation in buildings	-	3
BS 5262: 1991	Code of practice for external renderings	-	3
BS 5266: Part 1: 2016	Emergency lighting - Code of practice for the emergency lighting of premises	-	2

Technical Handbook - Domestic - Appendix
B list of standards and other publications

Number	Title	Amended	Section
BS 5266-7: 1999	Lighting application - Emergency lighting (see BS EN 1838: 2013)	-	
BS 5268: Part 2: 2002	Structural use of timber - Code of practice for permissible stress design, materials and workmanship	-	1
BS 5268-3: 2006	Structural use of timber - Code of practice for trussed rafter roofs	-	1
BS 5268: Part 4.1: 1978	Structural use of timber. Fire resistance of timber structures Recommendations for calculating fire resistance of timber members	AMD 2947 AMD 6192	2
BS 5268: Part 4.2: 1990	Structural use of timber. Fire resistance of timber structures. Recommendations for calculating fire resistance of timber stud walls and joisted floor constructions	-	2
BS 5268: Part 6.1: 1996	Structural use of timber. Code of practice for timber frame walls. Dwellings not exceeding four storeys (Section 6.1)	AMD 9265	1
BS 5268: Part 6.2: 2001	Structural use of timber. Code of practice for timber frame walls. Buildings other than dwellings not exceeding four storeys.	-	1
BS 5268: Part 7.1: 1989	Structural use of timber. Recommendations for the calculation basis for span tables. Domestic floor joists	-	1
BS 5268: Part 7.2: 1989	Structural use of timber. Recommendations for the calculation basis for span tables. Joists for flat roofs	-	1
BS 5268: Part 7.3: 1989	Structural use of timber. Recommendations for the calculation basis for span tables. Ceiling joists	-	1
BS 5268: Part 7.4: 1989	Structural use of timber. Ceiling binders	-	1
BS 5268: Part 7.5: 1990	Structural use of timber. Recommendations for the calculation basis for span tables. Domestic rafters	-	1
BS 5268: Part 7.7: 1990	Structural use of timber. Recommendations for the calculation basis for span tables. Purlins, supporting sheeting or decking	-	1
BS 5306: Part 0: 1986	Fire extinguishing installations and equipment on premises. Guide for the selection of installed systems and other fire equipment	-	2
BS 5306: Part 1: 1976 (1988)	Fire extinguishing installations and equipment on premises - Hydrant systems, hose reels and foam inlets	AMD 4649 AMD 5756	2
BS 5306: Part 4: + A1: 2012	Fire extinguishing installations and equipment on premises - Specification for carbon dioxide systems	-	2
BS 5306: Part 6.1: 1988	Fire extinguishing installations and equipment on premises - Foam systems- Specification for low expansion foam systems	-	2
BS 5306: Part 6.2: 1989	Fire extinguishing installations and equipment on premises - Specification for medium and high expansion foam systems	-	2
BS 5395: Part 2: 1984	Stairs, ladders and walkways - Code of practice for the design of helical and spiral stairs	AMD 6076	4
BS 5395: Part 3: 1985	Stairs, ladders and walkways - Code of practice for the design of industrial type stairs, permanent ladders and walkways	AMD 14247	2, 4

Technical Handbook - Domestic - Appendix
B list of standards and other publications

Number	Title	Amended	Section
BS 5400: Part 1: 1988	Steel, concrete and composite bridges. General statement	AMD 14179	1
BS 5400: Part 2: 2006	Steel, concrete and composite bridges. Specification for loads	-	1
BS 5400: Part 3: 2000	Steel, concrete and composite bridges. Code of practice for design of steel bridges	AMD 13200 AMD 16404 AMD 16480	1
BS 5400: Part 4: 1990	Steel, concrete and composite bridges. Code of practice for design of concrete bridges	-	1
BS 5400: Part 5: 2005	Steel, concrete and composite bridges. Code of practice for design of composite bridges	-	1
BS 5400: Part 7: 1978	Steel, concrete and composite bridges. Specification for materials and workmanship, concrete, reinforcing and prestressing tendons	-	1
BS 5400: Part 8: 1978	Steel, concrete and composite bridges. Recommendations for materials and workmanship, concrete, reinforcing and prestressing tendons	-	1
BS 5400: Part 10: 1980	Steel, concrete and composite bridges. Code of practice for fatigue	AMD 9352	1
BS 5410-1: 1997	Code of practice for oil firing - Installations up to 45 kW output capacity for space heating and hot water supply purposes	-	3
BS 5410-2: 1978	Code of practice for oil firing - Installations of 44 kW and above output capacity for space heating, hot water and steam supply purposes	AMD 3638	3
BS 5422: 2009	Method for specifying thermal insulating materials for pipes, tanks, vessels, ductwork and equipment operating within the temperature range -40°C to +700°C	Corrigendum 1 November 2009	6
BS 5438: 1989 (1995)	Methods of test for flammability of textile fabrics when subjected to a small igniting flame applied to the face or bottom edge of vertically oriented specimens	AMD 6509 AMD 8308	2
BS 5440-1: 2000	Installation of flues and ventilation for gas appliances of rated input not exceeding 60 kW (1st, 2nd and 3rd family gases) - Specification for installation of flues	AMD 8819	3
BS 5440-2: 2000	Installation of flues and ventilation for gas appliances of rated input not exceeding 60 kW (1st, 2nd and 3rd family gases) - Specification for installation of ventilation for gas appliances	AMD 8128	3
BS 5446: Part 2: 2003	Fire detection and fire alarm devices for dwellings	-	2
BS 5492: 1990	Code of practice for internal plastering	-	5
BS 5499: Part 4: 2013	Safety signs, including fire safety signs. Code of practice for escape route signing	-	2
BS 5499: Part 5: 2002	Graphical symbols and signs. Safety signs, including fire safety signs. Signs with specific safety meanings (Specification for additional signs to those given in BS 5378: Part 1)	-	4

Technical Handbook - Domestic - Appendix
B list of standards and other publications

Number	Title	Amended	Section
BS 5502-22: 2003	Buildings and structures for agriculture. Code of practice for design, construction and loading	-	1
BS 5502-50: 1993	Buildings and structures for agriculture. Code of practice for design, construction and use of storage tanks and reception pits for livestock slurry	-	3
BS 5534: 2003	Code of practice for slating and tiling - Design	-	3
BS 5588: Part 5: 2004	Fire precautions in the design, construction and use of buildings - Code of practice for fire-fighting stairs and lifts	AMD 7196	2
BS 5588: Part 6: 1991	Fire precautions in the design, construction and use of buildings - Code of practice for places of assembly	AMD 10212	2
BS 5588: Part 9: 1999	Fire precautions in the design, construction and use of buildings - Code of practice for ventilation and air conditioning ductwork	-	2
BS 5617: 1985	Specification for urea-formaldehyde (UF) foam systems suitable for thermal insulation of cavity walls with masonry or concrete inner and outer leaves	-	3
BS 5618: 1985 (1992)	Code of practice for thermal insulation of cavity walls (with masonry or concrete inner and outer leaves) by filling with urea-formaldehyde (UF) foam systems	AMD 7114	3
BS 5628-1: 2005	Code of practice for use of masonry - Structural use of unreinforced masonry	-	1
BS 5628-2: 2005	Code of practice for use of masonry - Structural use of reinforced and prestressed masonry	-	1
BS 5628-3: 2005	Code of practice for use of masonry - Materials and components, design and workmanship	-	1, 3
BS 5720: 1979	Code of practice for mechanical ventilation and air conditioning in buildings	-	
BS 5839: Part 1: 2017	Fire detection and alarm systems for buildings - Code of practice for system design, installation commissioning and maintenance	-	2
BS 5839: Part 3: 1988	Fire detection and alarm systems for buildings - Specification for automatic release mechanisms for certain fire protection equipment	AMD 102707	2
BS 5839: Part 6: 2019	Fire detection and alarm systems for buildings - Code of practice for the design and installation of fire detection and alarm systems in dwellings	AMD 9135	2
BS 5839: Part 8: 2013	Fire detection and fire alarm systems for buildings - Code of practice for the design, installation, commissioning and maintenance of voice alarm systems	-	2
BS 5839: Part 9: 2011	Fire detection and fire alarm systems for buildings. Code of practice for the design, installation, commissioning and maintenance of emergency voice alarm systems	-	2
BS 5864: 2010	Installation and maintenance of gas-fired ducted air heaters of rated input not exceeding 70 kW net (2nd and 3rd family gases). Specification	-	6
BS 5867: Part 2: 1980 (1993)	Specification for fabrics for curtains and drapes - Flammability requirements	AMD 4319	2

Technical Handbook - Domestic - Appendix
B list of standards and other publications

Number	Title	Amended	Section
BS 5871-1: 2005	Specification for the installation of gas fires, convector heaters, fire/back boilers and decorative fuel effect gas appliances. Gas fires, convector heaters and fire/back boilers (1st, 2nd and 3rd family gases)	-	3
BS 5871-2: 2005	Specification for the installation of gas fires, convector heaters, fire/back boilers and decorative fuel effect gas appliances. Inset live fuel effect gas fires of heat input not exceeding 15kW (2nd and 3rd family gases)	-	3
BS 5871-3: 2005	Specification for the installation of gas fires, convector heaters, fire/back boilers and decorative fuel effect gas appliances. Decorative fuel effect gas appliances of heat input not exceeding 15kW (2nd and 3rd family gases)	AMD 7033	3
BS 5871-4: 2007	Installation Guidance for Independent flueless gas fires	-	3
BS 5930: 1999	Code of practice for site investigations	-	3
BS 5950: Part 1: 2000	Structural use of steelwork in building - Code of practice for design. Rolled and welded sections	AMD 13199 AMD 17137	1
BS 5950: Part 2: 2001	Structural use of steelwork in building - Specification for materials, fabrication and erection. Rolled and welded sections	-	1
BS 5950: Part 3: 1990 (Section 3.1)	Structural use of steelwork in building - Design in composite construction - Code of practice for design of simple and continuous composite beams	-	1
BS 5950: Part 4: 1994	Structural use of steelwork in building - Code of practice for design of composite slabs with profiled steel sheeting	-	1
BS 5950: Part 5: 1998	Structural use of steelwork in building - Code of practice for design of cold formed thin gauge sections	AMD 16502	1
BS 5950: Part 6: 1995	Structural use of steelwork in building - Code of practice for design of light gauge profiled steel sheeting	AMD 10239 AMD 10475	1
BS 5950: Part 7: 1992	Structural use of steelwork in building - Specification for materials and workmanship: cold-formed thin gauge sections	-	1
BS 5950: Part 8: 2003	Structural use of steelwork in building - Code of practice for fire resistant design	AMD 8858	1. 2
BS 5950: Part 9: 1994	Structural use of steelwork in building - Code of practice for stressed skin design	AMD 8315 AMD9326	1
BS 5979: 2000	Code of practice for remote centres for alarm systems.	AMD 9235	2
BS 6180: 2011	Barriers in and about buildings – Code of practice	AMD 13292	4
BS 6229: 2003	Flat roofs with continuously supported coverings. Code of practice	-	3
BS 6262: Part 4: 2005	Glazing for buildings. Code of practice for safety related to human impact	-	4

Technical Handbook - Domestic - Appendix
B list of standards and other publications

Number	Title	Amended	Section
BS 6283: Part 2: 1991	Safety devices for use in hot water systems - Specification for temperature relief valves for pressures from 1 bar to 10 bar	-	4
BS 6297: 1983	Code of practice for design and installation of small sewage treatment works and cesspools	AMD 6150	3
BS 6387: 1994	Specification for performance requirements for cables required to maintain circuit integrity under fire conditions.	-	2
BS 6399: Part 1: 1996	Loading for buildings - Code of practice for dead and imposed loads	AMD 13669	1, 4
BS 6399: Part 2: 1997	Loading for buildings - Code of practice for wind loads	-	1
BS 6399: Part 3: 1988	Loading for buildings - Code of practice for imposed roof loads	AMD 6033 AMD 9187 AMD 9452	1
BS 6440: 1999	Powered lifting platforms for use by disabled persons - Code of practice	AMD 10960	2
BS 6461: Part 1: 1984	Installation of chimneys and flues for domestic appliances burning solid fuel (including wood and peat) - Code of practice for masonry chimneys and flue pipes	AMD 5649	3
BS 6510: 2010	Steel-framed windows and glazed doors. Specification	-	4
BS 6676: Part 1: 1986 (1994)	Thermal insulation of cavity walls using man-made mineral fibre batts (slabs) - Specification for man-made mineral fibre batts (slabs)	-	3
BS 6677: Part 1: 1986 (1997)	Clay and calcium silicate pavers for flexible pavements - Specification for pavers	-	4
PD 6688-1-1: 2011	Recommendations for the design of structures to BS EN 1991-1-1		4
BS 6717: 2001	Precast, unreinforced concrete paving blocks. Requirements and test methods	-	4
BS 6915: 2001	Specification for design and construction of fully supported lead sheet roof and wall coverings	-	3
BS 6999: 1989 (1995)	Specification for vitreous-enamelled low-carbon-steel flue pipes, other components and accessories for solid-fuel-burning appliances with a rated output of 45kW	AMD 8949	3
BS 7036: 2014	Code of practice for safety at powered doors for pedestrian use	-	2
BS 7206: 1990	Specification for unvented hot water storage units and packages	AMD 9343	4
BS 7273: Part 4: 2015	Code of practice for the operation of fire protection measures. Actuation of release mechanisms for doors	-	2
BS 7412: 2007	Specification for windows and doorsets made from unplasticized polyvinyl chloride (PVC-U) extruded hollow profiles	-	4
BS 7502: 1989	General criteria for the assessment of testing laboratories	-	0

Technical Handbook - Domestic - Appendix
B list of standards and other publications

Number	Title	Amended	Section
BS 7533: Part 2: 2001	Pavements constructed with clay, natural stone or concrete pavers - Guide for the structural design of lightly trafficked pavements constructed of precast paving blocks	-	4
BS 7543: 2003	Guide to durability of buildings and building elements, products and components	-	0
BS 7566: Part 1: 1992	Installation of factory-made chimneys to BS4543 for domestic appliances - Method of specifying installation design information	-	3
BS 7566: Part 2: 1992	Installation of factory-made chimneys to BS4543 for domestic appliances - Specification for installation design	-	3
BS 7566: Part 3: 1992	Installation of factory-made chimneys to BS4543 for domestic appliances - Specification for site installation	-	3
BS 7566: Part 4: 1992	Installation of factory-made chimneys to BS4543 for domestic appliances - Recommendations for installation design and installation	-	3
BS 7671: 2008	Requirements for electrical installations, IET Wiring Regulations, Seventeenth edition	A3: 2015	0, 4
BS 7974: 2019	Application of fire safety engineering principles to the design of buildings – Code of Practice	-	2
PD 7974-1: 2019	Application of fire safety engineering principles to the design of buildings. Initiation and development of fire within the enclosure of origin (Sub-system 1)	-	2
PD 7974-2: 2019	Application of fire safety engineering principles to the design of buildings. Spread of smoke and toxic gases within and beyond the enclosure of origin (Sub-system 2)	-	2
PD 7974-3: 2019	Application of fire safety engineering principles to the design of buildings. Structural response & fire spread beyond the enclosure of origin (Sub-system 3)	-	2
PD 7974-4: 2003	Application of fire safety engineering principles to the design of buildings. Part 4: Detection of fire and activation of fire protection systems. (Sub-system 4)	-	2
PD 7974-5: 2014	Application of fire safety engineering principles to the design of buildings. Fire service intervention. (Sub-system 5)	-	2
PD 7974-6: 2019	Application of fire safety engineering principles to the design of buildings. Human factors. Life safety strategies. Occupant evacuation, behaviour and condition (Sub-system 6)	-	2
PD 7974-7: 2019	Application of fire safety engineering principles to the design of buildings. Probabilistic risk assessment.	-	2
BS 8000: Parts 1 to 16	Workmanship on building sites	-	0
BS 8002: 1994	Code of practice for earth retaining structures	AMD 8851 AMD 12062 AMD 13386	1
BS 8004: 1986	Code of practice for foundations	-	1

Technical Handbook - Domestic - Appendix
B list of standards and other publications

Number	Title	Amended	Section
BS 8102: 1990	Code of practice for protection of structures against water from the ground	-	3
BS 8103: Part 3: 2009	Structural design of low rise buildings. Code of practice for timber floors and roofs for housing	-	1
BS 8104: 1992	Code of practice for assessing exposure of walls to wind-driven rain	AMD 8358	3
BS 8110: Part 1: 1997	Structural use of concrete - Code of practice for design and construction	AMD 9882 AMD 13468 AMD 16016 AMD 17307	1
BS 8110: Part 2: 1985	Structural use of concrete - Code of practice for special circumstances	AMD 5914 AMD 12061	1, 2
BS 8110 Part 3: 1985	Structural use of concrete - Design charts for singly reinforced beams, doubly reinforced beams and rectangular columns	AMD 5918	1
BS 8118: Part 1: 1991	Structural use of aluminium - Code of practice for design	AMD 10485	1
BS 8118: Part 2: 1991	Structural use of aluminium - Specification for materials, workmanship and protection	AMD 10486	1
BS 8200: 1985	Code of practice for design of non-loadbearing external vertical enclosures of buildings	-	3
BS 8206: Part 2: 2008	Lighting for buildings. Code of practice for daylighting	-	6
BS 8208: Part 1: 1985	Guide to assessment of suitability of external cavity walls for filling with thermal insulants - Existing traditional cavity construction	AMD 4996	3
BS 8213: Part 1: 2004	Windows, doors and rooflights - Design for safety in use and during cleaning of windows, including door-height windows and roof windows. Code of practice	-	4
BS 8214: 1990	Code of practice for fire door assemblies with non-metallic leaves (Sections 1 and 2)	AMD 7438	2
BS 8217: 2005	Reinforced bitumen membranes for roofing, Code of practice	-	3
BS 8218: 1998	Code of practice for mastic asphalt roofing	-	3
BS 8297: 2000	Code of practice for design and installation of non-loadbearing precast concrete cladding	-	3
BS 8298: 1994	Code of practice for design and installation of natural stone cladding and lining	-	3
BS 8300: 2001	Design of buildings and their approaches to meet the needs of disabled people. Code of practice	AMD 15617 AMD 15982	3,4,7
BS 8301: 1990	Commentary on BS 8301, Code of practice on building drainage	AMD 5904 AMD 6580	3
BS 8303: Part 1: 1994	Installation of domestic heating and cooking appliances burning solid mineral fuels. Specification for the design of installations	-	3

Technical Handbook - Domestic - Appendix
B list of standards and other publications

Number	Title	Amended	Section
BS 8303: Part 2: 1994	Installation of domestic heating and cooking appliances burning solid mineral fuels. Specification for installing and commissioning on site	-	3
BS 8303: Part 3: 1994	Installation of domestic heating and cooking appliances burning solid mineral fuels. Recommendations for design and on site installation	-	3
BS 8313: 1997	Code of practice for accommodation of building services in ducts	-	2
BS 8414: Part 1: 2020	Fire performance of external cladding systems. Test method for non-loadbearing external cladding systems applied to the masonry face of a building	-	2
BS 8414: Part 2: 2020	Fire performance of external cladding systems. Test method for non-loadbearing external cladding systems fixed to and supported by a structural steel frame	-	2
BS 8515: 2009	Rainwater harvesting systems	-	3
BS 8629: 2019	Code of Practice for the design, installation, commissioning and maintenance of evacuation systems for use by fire and rescue service in buildings containing flats and maisonettes	-	2
BS 9414: 2019	Fire performance of external cladding systems. The application of results from BS 8414-1 and BS 8414-2 tests	-	2
BS 9251: 2014	Sprinkler systems for residential and domestic occupancies. Code of practice	-	2
BS 9990: 2015	Code of practice for non-automatic fire fighting systems in buildings	-	2
BS 10175: 2001	Investigation of partially contaminated sites - Code of practice	-	3
PAS 67: 2008	Laboratory tests to determine the heating and electrical performance of heat-led micro-cogeneration packages primarily intended for heating dwellings	-	6

Codes of Practice (British Standards)

Table Appendix B.2 CODES OF PRACTICE (BRITISH STANDARDS)

Number	Title	Amended	Section
CP 102: 1973	Code of practice for protection of buildings against water from the ground	AMD 1511 AMD 2196 AMD 2470	3
CP 143: Part 5: 1964	Code of practice for sheet roof and wall coverings - Zinc	-	3
CP 143: Part 10: 1973 (1988)	Code of practice for sheet roof and wall coverings - Galvanised corrugated steel: Metric units	-	3
CP 143: Part 12: 1970 (1988)	Code of practice for sheet roof and wall coverings - Copper: Metric units	AMD 863 AMD 5193	3

Number	Title	Amended	Section
CP 143: Part 15: 1973 (1986)	Code of practice for sheet roof and wall coverings - Aluminium: Metric units	AMD 4473	3

European Standards

Table Appendix B.3 EUROPEAN STANDARDS

Number	Title	Amended	Section
BS EN 54-11: 2001	Fire detection and fire alarm systems - Manual call points	-	2
BS EN 81-20: 2014	Safety rules for the construction and installation of lifts. Lifts for the transport of persons and goods. Passenger and goods passenger lifts	-	2
BS EN 81-50: 2014	Safety rules for the construction and installation of lifts. Examinations and tests. Design rules, calculations, Examinations and tests of lift components	-	2
BS EN 81-58: 2018	Safety rules for the construction and installation of lifts - Examination and tests. Landing doors fire resistance test	-	2
BS EN 81-70: 2018	Safety rules for the construction and installation of lifts. Particular applications for passenger and goods passenger lifts. Accessibility to lifts for persons including persons with disability	AMD 14675 AMD 14751	4
BS EN 81-72: 2015	Safety rules for the construction and installation of lifts. Particular applications for passenger and goods passenger lifts. Fire-fighters lifts	-	2
BS EN ISO 140-1: 1998	Acoustics. Measurement of sound insulation in buildings and of building elements. Requirements for laboratory test facilities with suppressed flanking transmission	-	5
BS EN ISO 140-2: 1991	Acoustics. Measurement of sound insulation in buildings and of building elements determination, verification and application of precision data	-	5
BS EN ISO 140-4: 1998	Acoustics. Measurement of sound insulation in buildings and of building elements. Field measurements of airborne sound insulation between rooms	-	5
BS EN ISO 140-6: 1998	Acoustics. Measurement of sound insulation in buildings and of building elements. Laboratory measurements of impact sound insulation of floors	-	5
BS EN ISO 140-7: 1998	Acoustics. Measurement of sound insulation in buildings and of building elements. Field measurements of impact sound insulation of floors	-	5
BS EN ISO 140-8: 1998	Acoustics. Measurement of sound insulation in buildings and of building elements. Laboratory measurements of the reduction of transmitted impact noise by floor coverings on a heavyweight standard floor	-	5

Technical Handbook - Domestic - Appendix
B list of standards and other publications

Number	Title	Amended	Section
BS EN 179: 2008	Building hardware - Emergency exit devices operated by a lever handle or push pad for use on escape routes - Requirements and test methods	AMD 13332 AMD 13992	2
BS EN 303-1: 1999	Heating boilers. Heating boilers with forced draught burners. Terminology, general requirements, testing and marking	-	3
BS EN 303-5: 1999	Heating boilers- Heating boilers with forced draught burners	-	3
BS EN ISO 306: 2004	Plastics. Thermoplastic materials. Determination of Vicat softening temperature (VST)	-	2
BS EN 450-1: 2005	General criteria for the operation of various types of bodies performing inspection	-	0
BS EN 483: 2000 +A4:2007	Gas-fire central heating boilers. Type C boilers of nominal heat output not exceeding 70 kW	AMD 13369 + AMD 16504	6
BS EN 525: 2009	Non-domestic direct gas-fired forced convection air heaters for space heating not exceeding a net heat input of 300 kW	-	6
BS EN 621: 2009	Non-domestic gas-fired forced convection air heaters for space heating not exceeding a net heat input of 300 kW, without a fan to assist transportation of combustion air and/or combustion products	-	6
BS 644: 2012	Timber windows and doorsets – Fully finished factory-assembled windows and doorsets of various types – specification		4
BS EN ISO 717-1: 1997	Acoustics. Rating of sound insulation in buildings and building elements - Airborne sound insulation	-	5
BS EN ISO 717-2: 1997	Acoustics. Rating of sound insulation in buildings and building elements - Impact sound insulation	-	5
BS EN 752: 2008	Drain and sewer systems outside buildings -	-	3
BS EN 778: 2009	Domestic gas-fired forced convection air heaters for space heating not exceeding a net heat input of 70 kW, without a fan to assist transportation of combustion air and/or combustion products	-	6
BS EN 1020: 2009	Non-domestic forced convection gas-fired air heaters for space heating not exceeding a net heat input of 300 kW incorporating a fan to assist transportation of combustion air or combustion products	-	6
BS EN 1111: 1999	Sanitary tap ware. Thermostatic mixing valves (PN 10). General technical specification	-	4
BS EN 1125: 2008	Building hardware - panic exit devices operated by a horizontal bar - Requirements and test methods	AMD 13311 AMD 13993	2
BS EN 1155: 1997	Building hardware - electrically powered hold-open devices for swing doors - Requirements and test methods	-	2
BS EN ISO 1182: 2010	Reaction to fire tests for building products - Non-combustibility test	-	2
BS EN 1287: 1999	Sanitary tap ware. Low pressure thermostatic mixing valves. General technical specification	AMD 10964	4

Technical Handbook - Domestic - Appendix
B list of standards and other publications

Number	Title	Amended	Section
BS EN 1295-1: 1998	Structural design of buried pipelines under various conditions of loading. General requirements	-	3
BS EN 1303: 2005	Building Hardware. Cylinders for locks. Requirements and test methods		4
BS EN 1319: 2009	Domestic gas-fired forced convection air heaters for space heating, with a fan-assisted burners not exceeding a net heat output of 70kW	-	6
BS EN 1344: 2002	Clay pavers - requirements and test methods	-	4
BS EN 1363-1: 1999	Fire resistance tests - General requirements	-	2
BS EN 1363-2: 1999	Fire resistance tests - Alternative and additional procedures	-	2
BS EN 1363-3: 2000	Fire resistance tests - Verification of furnace performance	-	2
BS EN 1364-1: 1999	Fire resistance tests for non-loadbearing elements - Walls	-	2
BS EN 1364-2: 1999	Fire resistance tests for non-loadbearing elements - Ceilings	-	2
BS EN 1365-1: 1999	Fire resistance tests for loadbearing elements - Walls	-	2
BS EN 1365-2: 2000	Fire resistance tests for loadbearing elements - Floors and roofs	-	2
BS EN 1365-3: 2000	Fire resistance tests for loadbearing elements - Beams	-	2
BS EN 1365-4: 1999	Fire resistance tests for loadbearing elements - Columns	-	2
BS EN 1366-1: 1999	Fire resistance tests for service installations - Ducts	-	2
BS EN 1366-2: 1999	Fire resistance tests for service installations - Fire dampers	-	2
BS EN 1443: 2003	Chimneys - general requirements	-	3
BS EN 1457: 1999	Chimneys - Clay/ceramic flue liners - Requirements and test methods	-	3
BS EN 1490: 2000	Building valves. Combined temperature and pressure relief valves, tests and requirements	-	4
BS EN 1507: 2006	Ventilation for buildings. Sheet metal air ducts with rectangular section. Requirements for strength and leakage	-	6
BS EN 1610: 1998	Construction and testing of drains and sewers	-	3
BS EN 1634-1: 2008	Fire resistance and smoke control tests for door and shutter assemblies - openable windows and elements of building hardware, Part 1 - Fire resistance tests for doors, shutters and openable windows.	-	2
BS EN 1634-2: 2008	Fire resistance and smoke control tests for door and shutter assemblies - openable windows and elements of building hardware, Part 2 - Fire resistance characterisation test for elements of building hardware.	-	2
BS EN 1634-3: 2004	Fire resistance and smoke control tests for door and shutter assemblies - openable windows and elements of building hardware, Part 3 - Smoke control test for door and shutter assemblies	-	2

Technical Handbook - Domestic - Appendix
B list of standards and other publications

Number	Title	Amended	Section
BS EN ISO 1716: 2018	Reaction to fire tests for building products - Determination of the gross calorific value	-	2
BS EN 1729	Furniture. Chairs and tables for educational institutions.	-	7
BS EN 1806: 2000	Chimneys. Clay/ceramic flue blocks for single wall chimneys - Requirements for test methods	-	3
BS EN 1838: 1999 BS 5266-7: 1999	Lighting applications - Emergency Lighting	-	2
BS EN 1856-1: 2003	Chimneys - Performance requirements for metal chimneys - System chimney products	-	3
BS EN 1856-2: 2005	Chimneys. Performance requirements for metal chimneys - Metal liners and connecting flue pipe products	-	3
BS EN 1857: 2003	Chimneys - Chimney components - Concrete flue liners	-	3
BS EN 1858: 2003	Chimneys - Chimney components - Concrete flue blocks	-	3
BS EN 1935: 2002	Building Hardware – Single-axis hinges – requirements and test methods	15315	4
BS EN 1990: 2002	Basis of structural design	-	1
BS EN 1991-1-1: 2002	Actions on structures. General actions - Densities, self-weight and imposed loads for buildings	-	1
BS EN 1991-1-2: 2002	Actions on structures - Part1-2: General actions - Actions on structures exposed to fire	-	1, 2
BS EN 1991-1-3: 2003	Actions on structures. General actions. Snow loads	-	1
BS EN 1991-1-4: 2005	Actions on structures. General actions. Wind actions	-	1
BS EN 1991-1-5: 2003	Actions on structures. General actions. Thermal actions	-	1
BS EN 1991-1-6: 2005	Actions on structures. General actions. Actions during execution	-	1
BS EN 1991-1-7: 2006	Actions on structures. General actions. Accidental actions	-	1
BS EN 1991-2: 2003	Actions on structures. Traffic loads on bridges	-	1
BS EN 1991-3: 2006	Actions on structures. Actions induced by cranes and machines	-	1
BS EN 1991-4: 2006	Actions on structures. Silos and tanks	-	1
BS EN 1992-1-1: 2004	Design of concrete structures. General rules and rules for buildings	-	1
BS EN 1992-1-2: 2004	Design of concrete structures - Part 1-2: General rules - Structural fire design	-	1, 2
BS EN 1992-2: 2005	Design of concrete structures. Concrete bridges. Design and detailing rules	-	1
BS EN 1992-3: 2006	Design of concrete structures. Liquid retaining and containing structures	-	1
BS EN 1993-1-1: 2005	Design of steel structures. General rules and rules for buildings	-	1
BS EN 1993-1-2: 2005	Design of steel structures. General rules - Structural fire design	-	2

Technical Handbook - Domestic - Appendix
B list of standards and other publications

Number	Title	Amended	Section
BS EN 1993-1-3: 2006	Design of steel structures. General rules. Supplementary rules for cold formed members and sheeting	-	1
BS EN 1993-1-4: 2006	Design of steel structures. General rules. Supplementary rules for stainless steels	-	1
BS EN 1993-1-5: 2006	Design of steel structures. Plated structural elements	-	1
BS EN 1993-1-6: 2007	Design of steel structures. General. Strength and stability of shell structures	-	1
BS EN 1993-1-7: 2007	Design of steel structures. Plated structures subject to out of plane loading	-	1
BS EN 1993-1-8: 2005	Design of steel structures. Design of joints	-	1
BS EN 1993-1-9: 2005	Design of steel structures. Fatigue	-	1
BS EN 1993-1-10: 2005	Design of steel structures. Material toughness and through - thickness properties	-	1
BS EN 1993-1-11: 2006	Design of steel structures. Design of structures with tension components	-	1
BS EN 1993-1-12: 2007	Design of steel structures. Additional rules for the extension of EN 1993 to grades S700	-	1
BS EN 1993-2: 2006	Design of steel structures. Steel bridges	-	1
BS EN 1993-3-1: 2007	Design of steel structures. Towers, masts and chimneys. Towers and masts	-	1
BS EN 1993-3-2: 2008	Design of steel structures. Towers, masts and chimneys. Chimneys	-	1
BS EN 1993-4-1: 2007	Design of steel structures. Silos, tanks and pipelines. Silos	-	1
BS EN 1993-4-2: 2007	Design of steel structures. Silos, tanks and pipelines. Tanks	-	1
BS EN 1993-4-3: 2007	Design of steel structures. Silos, tanks and pipelines. Pipelines	-	1
BS EN 1993-5: 2007	Design of steel structures. Piling	-	1
BS EN 1993-6: 2007	Design of steel structures. Crane supporting structures	-	1
BS EN 1994-1-1: 2004	Design of composite steel and concrete structures. General rules and rules for buildings	-	1
BS EN 1994-1-2: 2005	Design of composite steel and concrete structures. General rules - Structural fire design	-	2
BS EN 1994-2: 2005	Design of composite steel and concrete structures. General rules and rules for bridges	-	1
BS EN 1995-1-1: 2004	Design of timber structures. General. Common rules and rules for buildings	-	1
BS EN 1995-1-2: 2004	Design of timber structures. General rules. Structural fire design	-	2
BS EN 1995-2-1: 2004	Design of timber structures. Bridges	-	1
BS EN 1996-1-1: 2005	BS EN 1996-1-1: 2005 Design of masonry structures. General rules for reinforced and unreinforced masonry structures	-	1
BS EN 1996-1-2: 2005	Design of masonry structures. General rules. Structural fire design	-	2

Technical Handbook - Domestic - Appendix
B list of standards and other publications

Number	Title	Amended	Section
BS EN 1996-2: 2005	Design of masonry structures. Design considerations, selection of materials and execution of masonry	-	1
BS EN 1996-3: 2006	Design of masonry structures. Simplified calculation methods for unreinforced masonry structures	-	1
BS EN 1997-1: 2004	Geotechnical design. General rules	-	1
BS EN 1997-2: 2007	Geotechnical design. Ground investigation and testing	-	1
BS EN 1998-1: 2004	Design of structures for earthquake resistance. General rules. Seismic actions for buildings	-	1
BS EN 1998-2: 2005	Design of structures for earthquake resistance. Bridges	AMD 1/2009	1
BS EN 1998-3: 2005	Design of structures for earthquake resistance. Assessment and retrofitting of buildings	-	1
BS EN 1998-4: 2006	Design of structures for earthquake resistance. Silos, tanks and pipelines	-	1
BS EN 1998-5: 2004	Design of structures for earthquake resistance. Foundations, retaining structures and geotechnical aspects	-	1
BS EN 1998-6: 2005	Design of structures for earthquake resistance. Towers, masts and chimneys	-	1
BS EN 1999-1-1: 2007	Design of aluminium structures. General rules	-	1
BS EN 1999-1-2: 2007	Design of aluminium structures. General rules - Structural fire design	-	
BS EN 1999-1-3: 2007	Design of aluminium structures. Additional rules for structures susceptible to fatigue	-	1
BS EN 1999-1-4: 2007	Design of aluminium structures. Supplementary rules for trapezoidal sheeting	-	1
BS EN 1999-1-5: 2007	Design of aluminium structures. Supplementary rules for shell sheeting	-	1
BS 3621: 2007	Thief Resistant Lock Assembly. Key egress		4
BS 4873: 2009	Aluminium alloy windows and doorsets – specification		4
BS EN 5864: 2004	Installation and maintenance of gas-fired ducted air heaters of rated output not exceeding 70 kW (second and third family gases). Specification.	-	6
BS EN ISO 6946: 2007	Building components and building elements. Thermal resistance and thermal transmittance - Calculation method	-	6
BS 6510: 2005	Steel-framed windows and glazed doors		4
BS EN 7512: 1989	General requirements for bodies operating assessment and certification/registration of quality systems	-	0
BS 7950: 1997	Specification for enhanced security performance of windows for domestic applications	16982	4
BS 8206-2: 2008	Lighting for buildings. Code of practice for daylighting		7
BS 8220-1: 2000	Guide for security of buildings against crime – part 1: Dwellings		4
BS 8621: 2007	Thief Resistant Lock Assembly. Keyless egress		4

Technical Handbook - Domestic - Appendix
B list of standards and other publications

Number	Title	Amended	Section
BS EN ISO 8990: 1996	Thermal insulation. Determination of steady-state thermal transmission properties. Calibrated and guarded hot box	-	6
BS EN ISO 9000-1: 1994	Quality management and Quality assurance standards	-	0
BS EN ISO 10077-1: 2006	Thermal performance of windows, doors and shutters. Calculation of thermal transmittance - Simplified method	Corrigendum (Feb 2010)	6
BS EN ISO 10077-2: 2003	Thermal performance of windows, doors and shutters. Calculation of thermal transmittance - Numerical method for frames	-	6
BS EN ISO 10211: 2007	Thermal bridges in building construction. Heat flows and surface temperatures. Detailed calculations	-	6
BS EN ISO 11925-2: 2010	Reaction to fire tests for building products. Ignitability when subjected to direct impingement of a flame	-	2
BS EN 12056-1: 2000	Gravity drainage systems inside buildings. Gravity drainage systems inside buildings. General and performance requirements	-	3
BS EN 12056-2: 2000	Gravity drainage systems inside buildings. Sanitary pipework, layout and calculation	-	3
BS EN 12056-3: 2000	Gravity drainage systems inside buildings. Roof drainage, layout and calculation	-	3
BS EN 12056-4: 2000	Gravity drainage systems inside buildings. Wastewater lifting plants. Layout and calculation	-	3
BS EN 12101-1: 2005+A1: 2006	Smoke and heat control systems. Specification for smoke barriers	-	2
BS EN 12101-2: 2017	Smoke and heat control systems. Natural smoke and heat exhaust ventilators	-	2
BS EN 12101-3: 2015	Smoke and heat control systems. Specification for powered smoke and heat exhaust ventilators (Fans)	-	2
BS EN 12101-6: 2005	Smoke and heat control systems. Specification for pressure differential systems	-	2
BS EN 12101-7: 2011	Smoke and heat control systems. Smoke duct sections	-	2
BS EN 12101-8: 2011	Smoke and heat control systems. Smoke control dampers	-	2
BS EN 12101-10: 2005	Smoke and heat control systems. Power supplies	-	2
BS EN 12237: 2003	Ventilation for buildings. Ductwork. Strength and leakage of circular sheet metal ducts	-	6
BS EN 12354-5: 2009	Building Acoustics - Estimation of acoustic performance of buildings from the performance of elements	-	5
BS EN 12380: 2002	Air admittance valves for drainage systems. Requirements, test methods and evaluation of conformity	-	3
BS EN 12391-1: 2003	Chimneys. Execution standards of metal chimneys. Part 1. Chimneys for non-roomsealed heating appliances	-	3
BS EN 12416-2: 2001	Automatic fire suppression - Powder systems	-	2

Technical Handbook - Domestic - Appendix
B list of standards and other publications

Number	Title	Amended	Section
BS EN 12446: 2003	Chimneys – Components, concrete outer wall elements	-	3
BS EN 12566-1: 2000	Small wastewater treatment systems for up to 50PT. Prefabricated septic tanks	-	3
BS EN 12567-2: 2005	Thermal performance of windows and doors - determination of thermal transmittance by hot box method roof windows and other projecting windows	-	6
BS EN 12664: 2001	Thermal performance of building materials and products. Determination of thermal resistance by means of guarded hot plate and heat flow meter methods. Dry and moist products of medium and low thermal resistance	AMD 14031	6
BS EN 12667: 2001	Thermal performance of building materials and products. Determination of thermal resistance by means of guarded hot plate and heat flow meter methods. Products of high and medium thermal resistance	-	6
BS EN 12809: 2001	Residential independent boilers fired by solid fuel	-	3
BS EN 12845: 2015	Fixed fire-fighting systems. Automatic sprinkler systems. Design, installation and maintenance	-	2
BS EN 12939: 2001	Thermal performance of building materials and products - determination of thermal resistance by means of guarded hot plate and heat flow meter methods - thick products of high and medium thermal resistance - includes corr14030 Dec 02	AMD14030	6
BS EN 12975-1: 2006	Thermal solar systems and components - solar collectors general requirements - includes amd16423 May 06	-	6
BS EN 13162: 2001	Thermal insulation products for buildings, Factory made mineral wool (MW) products specification	-	3
BS EN 13229: 2001	Inset appliances including open fires fired by solid fuel	-	3
BS EN 13240: 2001	Room heaters fired by solid fuel	-	3
BS EN ISO 13370: 2007	Thermal performance of buildings. Heat transfer via the ground. Calculation methods	Corrigendum (March 2009)	6
BS EN 13384-1: 2002	Chimneys. Thermal and fluid dynamic calculation methods. Chimneys serving one appliance	-	3
BS EN 13501-1: 2018	Fire classification of construction products and building elements. Classification using data from reaction to fire tests	-	2
BS EN 13501-2: 2007	Fire classification of construction products and building elements. Classification using data from fire resistance tests (excluding products for use in ventilation systems).	-	2
BS EN 13501-3: 2005	Fire classification of construction products and building elements. Classification using data from fire resistance tests on products and elements used in building service installations. Fire resisting ducts and fire dampers (other than smoke control systems)	-	2

Technical Handbook - Domestic - Appendix
B list of standards and other publications

Number	Title	Amended	Section
BS EN 13501-4: 2007	Fire classification of construction products and building elements. Classification using data from fire resistance tests on smoke control systems	-	2
BS EN 13501-5: 2016	Fire classification of construction products and building elements. Classification using data from external exposure to roof tests	-	2
BS EN ISO 13789: 2007	Thermal performance of buildings. Transmission heat loss co-efficient - Calculation method	-	6
BS EN 13823: 2010+A1: 2014	Reaction to fire tests for building products. Building products excluding floorings exposed to the thermal attack by a single burning item	-	2
BS EN 13829: 2001	Thermal performance of buildings - determination of air permeability of buildings - fan pressurisation method'	-	6
BS EN 13842: 2004	Oil fired forced convection air heaters. Stationary and transportable for space heating	-	6
BS EN 14511: 2007	Air conditioners, liquid chilling packages and heat pumps with electrically driven compressors for space heating and cooling	-	6
BS EN 14604: 2005	Smoke alarm devices	-	2
BS EN 14785: 2006	Residential space heating appliances fired by wood pellets	-	3
BS EN 15232: 2007	Energy performance of buildings. Impact of building automation, controls and building management	-	6
BS EN 15450: 2007	Heating systems in buildings. Design of heat pump heating systems	-	6
BS EN 15502-2-1: 2012	Gas-fired central heating boilers. Specific standard for type C appliances and type B2, B3 and B5 appliances of a nominal heat input not exceeding 1000 kW	-	6
BS EN ISO 15927-3: 2009	Hygrothermal performance of buildings. Calculation and presentation of climatic data. Calculation of a driving rain index for vertical surfaces from hourly wind and rain data	-	3
BS EN ISO/IEC 17011: 2004	Calibration and testing laboratory accreditation systems – general requirements for operation and recognition	-	0
BS EN ISO/IEC 17020: 2004	General criteria for the operation of various types of bodies performing inspections	-	0
BS EN ISO/IEC 17021: 2006	Conformity assessment - Requirements for providing audit and certification of management systems	-	0
BS EN ISO/IEC 17024: 2003	General criteria for certification bodies operating certification of personnel	-	0
BS EN ISO/IEC 17025: 2005	General requirements for the competence of testing and calibration laboratories	-	0
BS EN ISO/IEC 17050-1: 2004	Conformity assessment - Suppliers declaration of conformity	-	0
BS EN ISO/IEC 17050-2: 2004	General criteria for supplier's declaration of conformity -	-	

Number	Title	Amended	Section
BS EN 45002: 1989	General criteria for the assessment of testing laboratories	-	0
BS EN 45011: 1998	General requirements for bodies operating product certification systems	-	0
BS EN 50291-1: 2010	Electrical apparatus for the detection of carbon monoxide in domestic premises – Test methods and performance requirements		3
BS EN 50292: 2002	Electrical apparatus for the detection of carbon monoxide in domestic premises – Guide on the selection, installation, use and maintenance		3
BS EN 60335-2-21: 2003	Household and similar electrical appliances - Safety. Particular requirements for storage water heaters. For heating water below boiling temperature with rated voltage being not more than 250V for single-phase appliances and 480V for other appliances		7
BS EN 60335-2-35	Household and similar electrical appliances. Safety. Particular requirements for instantaneous water heaters	-	6
BS EN 60742: 1996	Isolating transformers and safety isolating transformers. Requirements	-	4
BS ISO 17398: 2004	Safety colours and safety signs. Classification, performance and durability of safety signs	-	2

Drafts for Development (European Standards)

Table Appendix B.4 DRAFTS FOR DEVELOPMENT (EUROPEAN STANDARDS)

Number	Title	Amended	Section
DD ENV 1187: 2002 + A1: 2005	Test methods for external fire exposure to roofs.	-	2

Note:

Copies of British Standards and British Standards Codes of Practice, European Standards, Drafts for Development and International Standards may be purchased from the British Standards Institution.

Legislation - Statutory Instruments

Table Appendix B.5 LEGISLATION - STATUTORY INSTRUMENTS

Title	Section
Boiler (Efficiency) Regulations, 1993	3
Building (Procedure)(Scotland) Regulations, 2004	6
Building (Scotland) Act, 2003	0
Building (Scotland) Regulations, 2004	0
Cinematographic (Safety) (Scotland) Regulations 1955	2
Civic Government (Scotland) Act, 1982 – Order 2000	2
Construction (Design and Management) Regulations, 1994	5

Title	Section
Construction (Design and Management) Regulations, 2015	1, 2, 5
Control of Pollution Act 1974	3
Dangerous Substances and Explosive Atmosphere Regulations 2002	2
Electricity Act 1989	4
Electricity Safety, Quality and Continuity Regulations 2002	4
Energy Act 1983	4
Environment Act 1995	3
Environmental Protection Act, 1990	3
EU Directive 1999/5/EC – Radio and Telecommunication Terminal Equipment Directive	3
EU Directive 2002/91/EC on the Energy Performance of Buildings (EPBD)	6
EU Directive 2006/95/EC Low Voltage Directive	3
EU Directive 2009/28/EC on the promotion of the use of energy from renewable sources	6
Factories Act 1961	4
Fire (Scotland) Act 2005 as amended	2
Fire Safety (Scotland) Regulations 2006	2
Fire Safety and Safety of Places of Sport Act 1987	1, 2
Gas Appliance (Safety) Regulations, 1995	3
Gas Safety (Installation and Use) Regulations, 1998	3, 4
Groundwater Regulations 1998	3
Health & Safety at Work etc. Act 1974	0
Health and Safety (Safety Signs and Signals) Regulations 1996	2
Management of Health & Safety at Work Regulations 1999	2
Manual Handling Operations Regulations, 1992	5
Mines and Quarries Act 1954	4
Pipelines Safety Regulations 1996, SI 1996 No 825	2
Regulation of Care (Scotland) Act 2001	2
Safety of Sports Grounds Act, 1975	1, 2
Sewage (Scotland) Act, 1968	3
Water Byelaws 2004	3
Water Environment (Controlled Activities)(Scotland) Regulations 2005	3
Water Environment (Oil Storage)(Scotland) Regulations 2006	3

Other Publications

Publications relating to Section 0 - General

Table Appendix B.6 Section 0 - General

Title	Reference	Publisher	Section
Section 0 - General			
EU Construction Products Regulation and CE marking, including UK product contact point for construction products	-	Department for Communities	0

Title	Reference	Publisher	Section
		and Local Government	

Publications relating to Section 1 - Structure

Table Appendix B.7 Section 1 - Structure

Title	Reference	Publisher	Section
Section 1 - Structure			
Appraisal of existing structures (2009).	-	Institution of Structural Engineers.	1
Design guidance for disproportionate collapse	-	UK Timber Frame Association	1
Dynamic performance requirements for permanent grandstands subject to crowd action. Recommendations for management design and assessment (2008).	-	Institution of Structural Engineers.	1
Guide to Safety at Sports Grounds, Fifth Edition (2008).	-	The Stationary Office	1, 2
How to design concrete buildings to satisfy disproportionate collapse requirements.	-	The Concrete Centre	1
Masonry Design for Disproportionate collapse Requirement under Regulation A3 of the Building Regulations (England and Wales).	-	Brick Development Association	1
Natural stone masonry in modern Scottish construction	-	Scottish Stone Liaison Group	1
Small Buildings Structural Guidance (2010).	-	Scottish Government	1
Temporary demountable structures - Guidance on procurement, design and use (2007).	-	Institution of Structural Engineers.	1
The Building Regulations 2004 Edition- England and Wales- Requirement A- Disproportionate Collapse	-	NHBC	1

Publications relating to Section 2 - Fire

Table Appendix B.8 Section 2 - Fire

Title	Reference	Publisher	Section
A simplified approach to alternative fire safety strategies (2010)	-	Scottish Government	2
Code of Practice on Sprinklers in Schools	-	British Automatic Fire Sprinkler Association	2

Technical Handbook - Domestic - Appendix
B list of standards and other publications

Title	Reference	Publisher	Section
Construction Products Directive, as amended by CE Marking Directive (93/68/EEC) and Fixing and use of CE Marks Directive (93/465/EEC)	89/106/EEC	EC	2
Defect Action Sheet (Design), Housing Defects Prevention Unit (1985)	DAS8	Building Research Establishment	2
Design, Construction, Specification and Fire Management of Insulated Envelopes for Temperature Controlled Environments (2008).	-	International Association of Cold storage Construction (European Division)	2
Design methodologies for smoke and heat exhaust ventilation (1999).	BR 368	Building Research Establishment	2
EC Commission Decision 2000/147/EC on 8.2.00 implementing Council Directive 89/106/EEC	2000/147/EC	EC	2
EC Commission Decision 2000/367/EC on 3.5.00 implementing Council Directive 89/106/EEC	2000/367/EC	EC	2
EC Commission Decision 94/611/EC implementing Council Directive 89/106/EEC	94/611/EC	EC	2
EC Commission Decision 96/603/EC implementing Council Directive 89/106/EEC	96/603/EC	EC	2
External Fire Spread: Building Separation and Boundary Distances (1991)	BR 187	Building Research Establishment	2
Firecode, Edition 3, NHS Scotland Property and Environment Forum (2003)	-	NHS Scotland	2
Fire Performance of external thermal insulation for walls of multi-storey buildings (2013)	BR 135	Building Research Establishment	2
Fire Performance of Green Roofs and Walls (2013)		Department of Communities and Local Government	2
Fire safe design: A new approach to multi-storey steel framed buildings (2000)	P288	Steel Construction Institute	2
Guide to Undertaking Technical Assessments of Fire Performance of Construction Products Based on Fire Test Evidence (2021)	-	Passive Fire Protection Forum	2
Guide for Practitioners 6 - Conversion of traditional buildings (2007)	-	Historic Scotland	2
Hardware for Fire and Escape Doors - Issue 4: (2012)	-	Door and Hardware Federation and the Guild of	2

Title	Reference	Publisher	Section
International Fire Engineering Guidelines 2005	-	Architectural Ironmongers Australian Building Codes Board	2
Loss Prevention Council - Rules for Automatic Sprinkler Installations 2009 (Incorporating BS EN 12845)	-	LPC	2
Safety signs and signals: Guidance on Regulations - The Health and Safety (Safety Signs and Signals) Regulations 1996.	-	Health and Safety Executive	2
Single storey steel frame buildings in fire boundary conditions (2002).	P313	Steel Construction Institute	2
Smoke shafts protecting fire-fighting shafts: their performance and design (2002).	-	Building Research Establishment	2
Technical memorandum TM19 (1995)	-	Chartered Institute of Building services	2
Vehicle finishing units fire and explosion hazards, Guidance Note (1981)	PM25	Health and Safety Executive	2

Publications relating to Section 3 - Environment

Table Appendix B.9 Section 3 - Environment

Title	Reference	Publisher	Section
Achieving air tightness	GBG 67	Building Research Establishment	3
Advice on Flues for Modern Open Flued Oil Fired Boilers (2001)	Technical Book 3	Oil Firing Technical Association	3
Air Supply Requirements (2001)	Technical Book 3	Oil Firing Technical Association	3
Assessment of the risk of environmental damage being caused by spillage from domestic oil storage tanks (1999)	Technical Book 3	Oil Firing Technical Association	3
CIBSE Guide B: 1986: section B2 (1986)	-	Chartered Institution of Building Services Engineers	3
Code of practice for ground floor, multi-storey and underground car parks, section 4 (1994)	-	Association for Petroleum and Explosive Administration	3

Technical Handbook - Domestic - Appendix
B list of standards and other publications

Title	Reference	Publisher	Section
Contaminants in soils, collation of toxicological data and intake values for humans	CLR9	Environment Agency	3
Contaminated land exposure assessment (CLEA) model, technical basis and algorithms	CRL10	Environment Agency	3
Continuous mechanical ventilation in dwellings: design, installation and operation (1994)	Digest 398	Building Research Establishment	3
Control of legionella bacteria in water systems - approved code of practice	HSE L8	Health and Safety Executive	3
Dangerous Substances Directive	76/464/EEC	EC	3
Design Guidance on Flood Damage to Dwellings (1996)	-	Scottish Executive	3
Development and Flood Risk	C624	CIRIA	3
Development of Contaminated Land - Planning Advice Note	PAN 33	Scottish Executive	3
Drainage Assessment: a guide for Scotland	-	SEPA	3
Fire Protection of Oil Storage Tanks (2001)	Technical Book 3	Oil Firing Technical Association	3
Flows and Loads - 2, Code of practice	-	British Water	3
Garage installations (1999)	Technical Book 3	Oil Firing Technical Association	3
Gas installation in timber frame and light steel framed buildings (2006)	IGE/UP/7 (Edition 2)	Institution of Gas Engineers	3
Good Building Guide, Parts 1 and 2	GBG 42	Building Research Establishment	3
Groundwater Directive	80/68/EEC	EC	3
Guidance for the safe development of housing on land affected by contamination (2000)	-	National House Building Council and Environment Agency	3
Harvesting Rainwater for domestic use:- an information guide	-	Environment Agency	3
Housing For Varying Needs, 1999	-	Communities Scotland	3
Improving the flood performance of new buildings. 2007	-	Construction Industry Research and Information Association (CIRIA)	3
Indicative Atlas of Radon in Scotland (2011)	-	Health Protection	3

Technical Handbook - Domestic - Appendix
B list of standards and other publications

Title	Reference	Publisher	Section
		Agency (HPA) (Now Public Health England)	
Infrastructure Report (2014)	-	OFCOM	3
Installing Oil Supply Pipes Underground (2001)	Technical Book 3	Oil Firing Technical Association	3
Land contamination risk assessment tools: an evaluation of some of the commonly used methods	Technical Report P260	Environment Agency	3
Lifetime Homes Standards	-	Joseph Rowntree Foundation	3
Mound filter systems for domestic wastewater	BR 478	Building Research Establishment	3
National Waste Plan, 1999	-	SEPA	3
Next generation access for new build homes	Publicly Available Specification PAS 2016:2010	Building Standards Institute	3
Non-liquid saturated treatment systems (1999)	NSF/ANSI 41-1999	National Sanitation Foundation (USA)	3
Oil fired appliances and extract fans (1996)	Technical Book 3	Oil Firing Technical Association	3
Oil Firing Equipment Standard – Flues for use with Oil Fired Boilers with Outputs not above 50 kW (2001)	Standard OFS E106	Oil Firing Technical Association	3
Oil Firing Equipment Standard – Steel Oil Storage Tanks and Tank Bunds for use with Distillate Fuels, Lubrication Oils and Waste Oils (2002)	Technical Standard OFS T200	Oil Firing Technical Association	3
Oil firing industry technical advice on fire valves	Technical Book 3	Oil Firing Technical Association	3
Oil-fired appliance standard heating boilers with atomising burners, output up to 70kW and maximum operating pressures of 3Bar (1998)	Applied Standards A100	Oil Firing Technical Association	3
Oil Firing Technical Association	Applied Standard OFS A101	Oil Firing Technical Association	3
Passive stack ventilation systems (1994)	IP 13/94	Building Research Establishment	3
Performance of building materials in contaminated land (1994)	BR255	Building Research Establishment	3

Technical Handbook - Domestic - Appendix
B list of standards and other publications

Title	Reference	Publisher	Section
Planning and Building Standards Advice on Flooding	PAN 69	Scottish Executive	3
Planning and Flooding, Scottish Planning Policy (2003)	SPP7	Scottish Executive	3
Planning and Sustainable Urban Drainage Systems	PAN61	Scottish Executive	3
Polyethylene oil tanks and bunds for distillate fuel (1999)	Technical Standard OFS T100	Oil Firing Technical Association	3
Positioning of flue terminals	Technical Book 3	Oil Firing Technical Association	3
Preparing for Floods (2003)	-	ODPM	3
Prevention of Environmental Pollution from Agricultural Activity, Code of practice (2005)	-	Scottish Executive	3
Priority contaminants report	CLR 8	Environment Agency	3
Radon: guidance on protection measures for new buildings	BR211	Building Research Establishment	3
Radon in the Workplace - A Guide for Building Owners and Managers	FB 41	Building Research Establishment	3
Radon protection for new domestic extensions and conservatories with solid concrete ground floors	GG 73	Building Research Establishment	3
Radon protection for new dwellings	GG 74	Building Research Establishment	3
Radon protection for new large buildings	GG 75	Building Research Establishment	3
Rainwater and greywater use in buildings: best practice guidance	C539	CIRIA	3
Reed beds, BRE Good Building Guide 42, Parts 1 and 2 (2000)	GBG 42	Building Research Establishment	3
Roofs and roofing – performance, diagnosis, maintenance, repair and avoidance of defects	-	Building Research Establishment	3
Room heaters with atomising or vapourising burners with or without boilers, heat output up to 25kW	Applied Standard A102	Oil Firing Technical Association	3
Secondary model procedure for the development of appropriate soil sampling strategies for land contamination	R&D Technical Report P5	Environment Agency	3
Sewers for Scotland (2001)	-	Water Research Council	3
Soakaway design (1991)	BRE Digest 365	BRE Digest 365	3

Title	Reference	Publisher	Section
Spillage of flue gases from solid fuel combustion appliances, Information Paper (1994)	IP 7/94	Building Research Establishment	3
Standards for the repair of buildings following flooding	C623	CIRIA	3
Standards of Training in Safe Gas Installations, Approved Code of practice	-	Health and Safety Commission	3
SUDS Advice Note – Brownfield Sites	-	SEPA	3
Technical aspects of site investigation	R&D Technical report P5	Environment Agency	3
The official guide to approved solid fuel products and services (2004-2005)	-	HETAS	3
The SUDS Manual (2015)	CR753	CIRIA	3
Thermal Insulation: Avoiding Risks, Report (2002)	BR 262	Building Research Establishment	3
Underground storage tanks for liquid hydrocarbons	-	Scottish Executive	3
Wastewater recycling/reuse and Water conservation devices (1996)	NSF 41	National Sanitation Foundation (USA)	3
Water Regulatory Advisory Scheme: Information and Guidance Note	9-02-04 9-02-05	WRAS	3

Publications relating to Section 4 - Safety

Table Appendix B.10 Section 4 - Safety

Title	Reference	Publisher	Section
Accessible Thresholds in New Housing	-	DETR	4
Building Sight (1995)	-	RNIB	4
Code for Lighting (2002)	-	CIBSE	4
Code of Practice 1: 'Bulk LPG Storage at Fixed Installations - Part 4 - Buried / Mounded LPG Storage Vessels, as amended	-	UKLPG	4
Code of Practice 1: 'Bulk LPG Storage at Fixed Installations - Part 1 – 'Design, Installation and Operation of Vessels Located Above Ground', as amended.	-	UKLPG	4
Code of Practice 1: 'Bulk LPG Storage at Fixed Installations - Part 2 – 'Small bulk Propane Installations for Domestic and Similar Purposes', as amended	-	UKLPG	4
Code of Practice 24: 'Use of LPG cylinders': Part 1 - The Use of Propane in Cylinders at Residential Premises.	-	UKLPG	4
Guidance on the use of Tactile Paving Surfaces (1998)	-	The Scottish Office/DETR	4
Guidance to the Water Supply (Water Fittings) Regulations 1999	-	DEFRA	4

Title	Reference	Publisher	Section
Housing for Varying Needs, Parts 1 and 2	-	Communities Scotland	4
Inclusive Design - Planning Advice Note (2006)	PAN 78	Scottish Executive	4
Inclusive Mobility (2002)	-	Department for Transport	4
Preventing hot water scalding in bathrooms: using TMVs	IP 14/03	BRE	4
Safety in window cleaning using portable ladders (2003)	MISC 613	HSE	4

Publications relating to Section 5 - Noise

Table Appendix B.11 Section 5 - Noise

Title	Reference	Publisher	Section
Housing and sound insulation: Improving attached dwellings and designing for conversions (2006)	-	Arcamedia	5
Planning and Noise, Planning Advice Note (1999)	PAN56	Scottish Executive	5
Review of Sound Insulation Performance in Scottish Domestic Construction	-	Scottish Executive	5
Scottish House Condition Survey, Scottish Homes (1996)	-	Communities Scotland	5
Sound Advice on Noise: don't suffer in silence (2001)	-	Scottish Executive	5

Publications relating to Section 6 - Energy

Table Appendix B.12 Section 6 - Energy

Title	Reference	Publisher	Section
Accredited Construction Details (Scotland)	-	Building Standards Division	6
A Practical Guide to Ductwork Leakage Testing	DW/143	Building Engineering Services Association	6
Assessing Condensation Risk and Heat loss at Thermal Bridges around Openings (1994)	IP 12/94	Building Research Establishment	6
Assessing the Effects of Thermal Bridging at Junctions and Around Openings	IP 1/06	Building Research Establishment	6
BSRIA Commissioning Guides (various)	-	BSRIA	6
Building Energy Metering	TM 39	Chartered Institution of Building Services Engineers	6
Building Log Book Toolkit (2006)	TM 31	Chartered Institution	6

Technical Handbook - Domestic - Appendix
B list of standards and other publications

Title	Reference	Publisher	Section
		of Building Services Engineers	
CIBSE Commissioning Codes (various)	-	Chartered Institution of Building Services Engineers	6
CIBSE Guide (2006)	Section A3	Chartered Institution of Building Services Engineers	6
Code for Lighting	-	Society of Light and Lighting	6
Conventions For Calculating Linear Thermal Transmittance and Temperature Factors'	BR 497	Building Research Establishment	6
Conventions for U-value calculations (2006)	BR 443	Building Research Establishment	6
Design for Improved Solar Shading Control' 2006	TM 37	Chartered Institution of Building Services Engineers	
Domestic Building Services Compliance Guide for Scotland	-	Building Standards Division	6
Energy Efficiency Best Practice in Housing publication - Effective use of insulation in dwellings, September 2003	CE23	Energy Saving Trust	6
Energy efficient lighting - guidance for installers and specifiers	CE 61	Energy Saving Trust	6
iSBEM User Guide	-	Building Research Establishment (for CLG)	6
Low Energy Domestic Lighting	GIL 20	Energy Saving Trust	6
Measuring Air Permeability of Building Envelopes	TS 1	ATTMA	6
Metal Cladding: assessing the performance of built-up systems which use Z-spacers, Information Paper	IP 10/02	Building Research Establishment	6
Metal Cladding: U-value calculation: Assessing thermal performance of built-up metal roof and wall cladding systems using rail and bracket spacers, 2002	P312	Steel Construction Institute	6
Non-Domestic Building Services Compliance Guide for Scotland	-	Building Standards Division	6

Title	Reference	Publisher	Section
Non-Domestic Lighting (2009)	GBG 61 Part 3	Building Research Establishment	6
People and Lighting Controls	IP 6/96	Building Research Establishment	6
Reducing Overheating – A Designer’s Guide	CE 129	Energy Saving Trust	6
SAP 2012	-	Building Research Establishment	6
SBSA Technical Handbook - ‘Conservatories’	-	Building Standards Division	6
SBSA Technical Guide: ‘U- values’	-	Building Standards Division	6
Selecting Lighting Controls	Digest 498	Building Research Establishment	6
Specification for Sheet Metal Ductwork	DW/144	HVCA	6
Thermal Insulation: Avoiding Risks, Report (2002)	BR 262	Building Research Establishment	6

Publications relating to Section 7 - Sustainability

Table Appendix B.13 Section 7 - Sustainability

Title	Reference	Publisher	Section
CIBSE Guide: An Environmental Design, (2006)	-	CIBSE	7
BRE Digest 309, 310: Estimating daylight in buildings	-	BRE	7